

设计 DESIGN	黄洁月 2023.05.12	图纸名称 PART NAME				图号/物料编码 PART NO.
校对 CO. BY	蔡宇超	意大利 Midea CE-BCD276WE-JT 22031020009261 MDRB380FGE*				16131000A47534
标准化 STANDARD						说明书
业务 seller	陈书迪	图样标记 REL	版本号 REV. NO.	重量(g) WEIGHT	比例 scale	
批准 AUTHORIZE			0		1:1	
		共页 TOTAL SHEETS		第页 NO. OF SHEETS		

技术要求

1. 尺寸: 32K, 388P
2. 印刷颜色: 单色 (灰度印刷)
3. 制件必须符合QMB-J036.1008 产品说明书及其它类似印刷件技术规范;
4. 除客户特别要求外均参照美的冰箱最新版相关企业标准执行;

标记 MARKER	变更内容	修改日期	签名
	更新版本	2023.07.13	黄洁月



Refrigerator
BOTTOM MOUNTED FREEZER SERIES

USER MANUAL

**MDRB380FGE
SERIES**

Warning notices: Before using this product, please read this manual carefully and keep it for future reference. The design and specifications are subject to change without prior notice for product improvement. Consult with your dealer or manufacturer for details.
The diagram above is just for reference. Please take the appearance of the actual product as the standard.

LANGUAGES

EN	English
IT	Italiano
ES	Español
PT	Português
GR	Ελληνικά
FR	French
DE	Deutsch
PL	Polski
CZ	Čeština
SK	Slovensky
HU	Magyar
LV	Latviešu
LT	Lietuvių
SR	Srpski
HR	Hrvatski
SL	Slovenščina
RO	Română
BG	Български
AL	Shqip

THANK YOU LETTER

Thank you for choosing Midea! Before using your new Midea product, please read this manual thoroughly to ensure that you know how to operate the features and functions that your new appliance offers in a safe way.

EN

CONTENTS

THANK YOU LETTER	01
SPECIFICATIONS	02
PRODUCT OVERVIEW	03
PRODUCT INSTALLATION	04
OPERATION INSTRUCTIONS	11
CLEANING AND MAINTENANCE	15
TROUBLESHOOTING	17
APPENDIX	19

SPECIFICATIONS

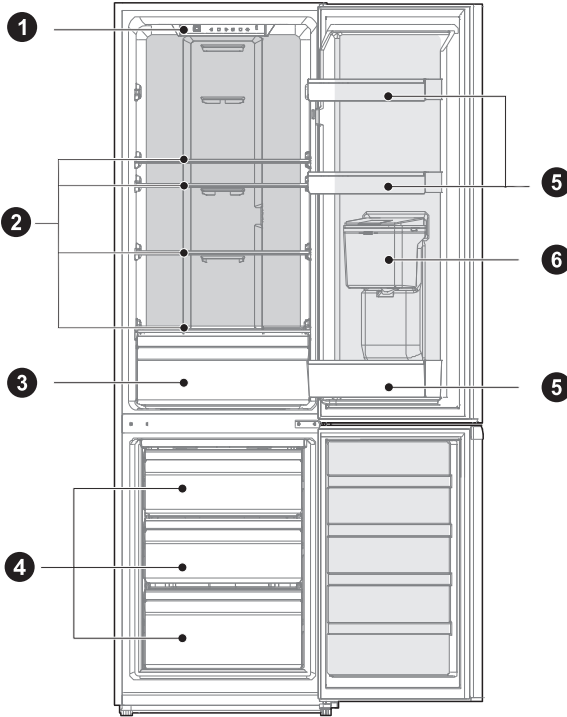
Product model	MDRB380FGE SERIES
Fresh Food Storage Compartment Volume	199L
Frozen Food Storage Volume	71L
Defrosting Type	Auto defrost
Temperature Rise Time	7h
Freezing Capacity	3.5kg/24h
Rated Voltage	220-240V-
Rated Current	0.6A
Overall Dimension (H x W x D)	1800x545x625mm

EN

PRODUCT OVERVIEW

Names of components

EN



- | | | | |
|---|---------------------------|---|----------------------------|
| 1 | LED lighting | 4 | Drawer |
| 2 | Shelf | 5 | Door Tray |
| 3 | Fruits and vegetables box | 6 | Water dispenser (optional) |

ATTENTION

The picture above is only for reference. The actual configuration will depend on the physical product or statement by the distributor.

PRODUCT INSTALLATION

Install Instruction

For refrigerating appliances with climate class

- Depending on the climate class, This refrigerating appliance is intended to be used at ambient temperatures range as specified following table.
- The climate class can be found on the rating plate. The product may not operate properly at temperatures outside of the specific range.
- You can find the climate class on the product label.

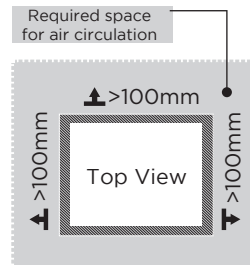
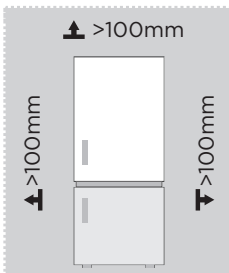
Effective temperature range

- The product is designed to operate normally in the temperature range specified by its class rating.

Class	Symbol	Ambient temperature range °C	
		IEC 62552 (ISO 15502)	ISO 8561
Extended temperate	SN	+ 10 to + 32	+ 10 to + 32
Temperate	N	+ 16 to + 32	+ 16 to + 32
Subtropical	ST	+ 16 to + 38	+ 18 to + 38
Tropical	T	+ 16 to + 43	+ 18 to + 43

Dimensions and Clearances

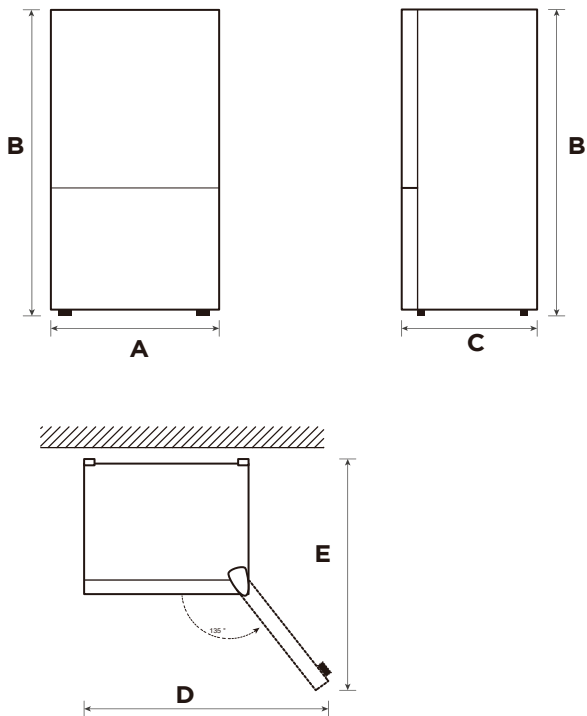
- Too small of a distance from adjacent items may result in the degradation of freezing capability and increased electricity costs. Allow over 100 mm of clearance from each adjacent wall when installing the appliance.



ATTENTION

The picture above is only for reference. The actual configuration will depend on the physical product or statement by the distributor.

Space requirement diagram (when the door is open and when the door is closed)



EN

Width	Overall Height	Depth	Width doors open 135°	Depth doors open 135°
A	B	C	D	E
545	1800	625	820	1070

Notice: All dimensions in mm



Leveling feet

To avoid vibration, the unit must be leveled.

If required, adjust the leveling screws to compensate for the uneven floor.

The front should be slightly higher than the rear to aid in door closing.

Leveling screws can be turned easily by tipping the cabinet slightly.

Turn the leveling screws counterclockwise  to raise the unit, clockwise  to lower it.

Moving the appliance

1. Before the refrigerator is moved, take all objects inside out, pull the power plug out.
2. Fix the glass partitions, vegetable holder, freezing chamber drawers and ect. with tape, and tighten the leveling feet; close the doors and seal them with tape.
3. Move the appliance with more than two people carefully. During moving, the appliance shall not be excessively laid upside down or horizontally, or be vibrated; the inclination during movement shall be no more than 45°.
4. After installing the appliance, connect the power plug into a socket out to switch on the appliance.

ATTENTION

Precautions before operation:

Before making changes the refrigerator must be disconnected from power. precautions should be taken to prevent any personal injury.

Placement

- Before use, remove all packing materials, including bottom cushions, foam pads and tapes inside of the refrigerator; tear off the protective film on the doors and the refrigerator body.
- Keep away from heat and avoid direct sunlight. Do not place the freezer in moist or watery places to prevent rust or reduction of insulating effect.
- Do not spray or wash the refrigerator; do not put the refrigerator in moist places easy to be splashed with water so as not to affect the electrical insulation properties of the refrigerator.
- The refrigerator is placed in a well-ventilated indoor place; the ground shall be flat, and sturdy (rotate left or right to adjust the wheel for leveling if unstable).

Door right-left change (optional)

Based on the location where you plan to use your refrigerator, you may find it more convenient to reverse the position of the door.

CAUTION

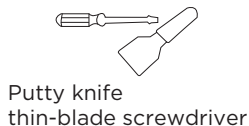
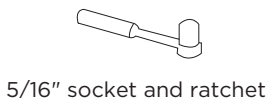
CAUTION: To avoid injury to yourself or your property, we recommend that someone assist you during the door reversal process.

Preparing to reverse the door position

You will need: A standard screwdriver, a Phillips screwdriver, and the included Allen wrench.

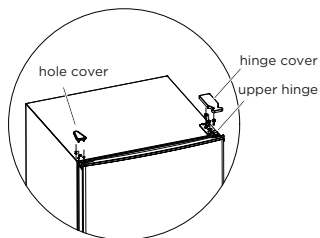
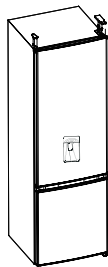
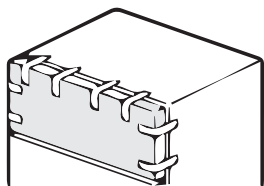
- Make sure that your refrigerator is unplugged and empty.
- Have someone available to assist you in the process.
- Keep all of the parts you remove to reuse them later.

Tools needed for changing the door:

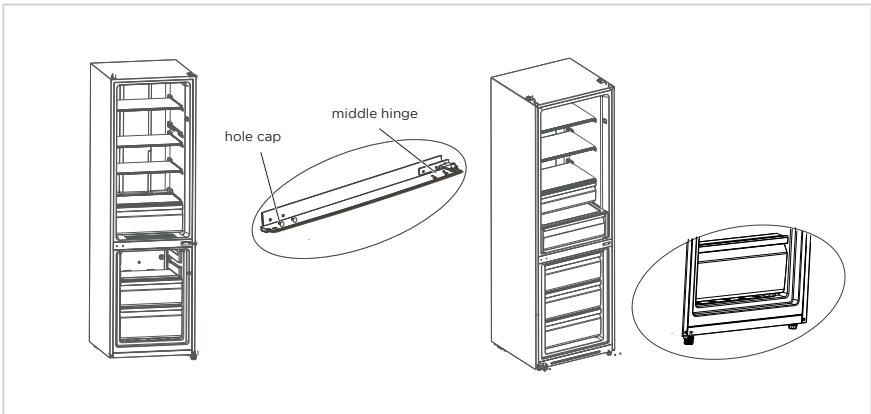


Step

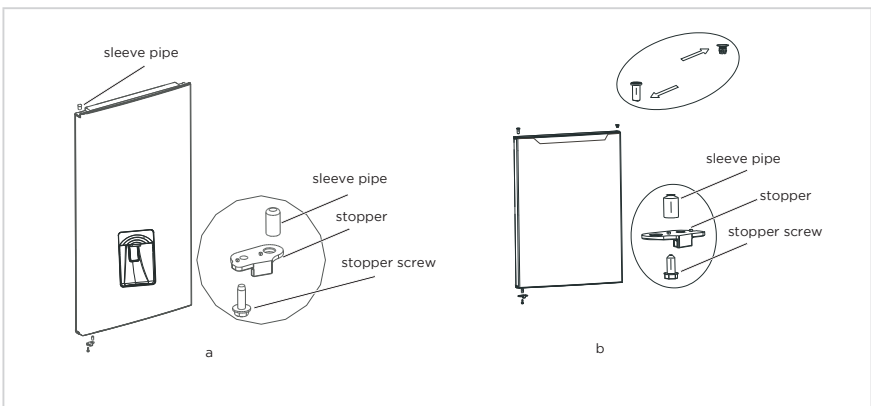
1. Please power off this appliance, before conduct this operation. Remove all food from the inner door liner. Tape the door shut with tape.
2. Dismantle the hole cover, hinge cover and upper hinge.



3. Take off refrigerating chamber door, middle hinge (use a allen wrench to remove the middle hinge screw) and hole cap of other side.
4. Take off freezing chamber door, dismantle bottom hinge, hole caps, levelling foot, install the bottom hinge on the other side.



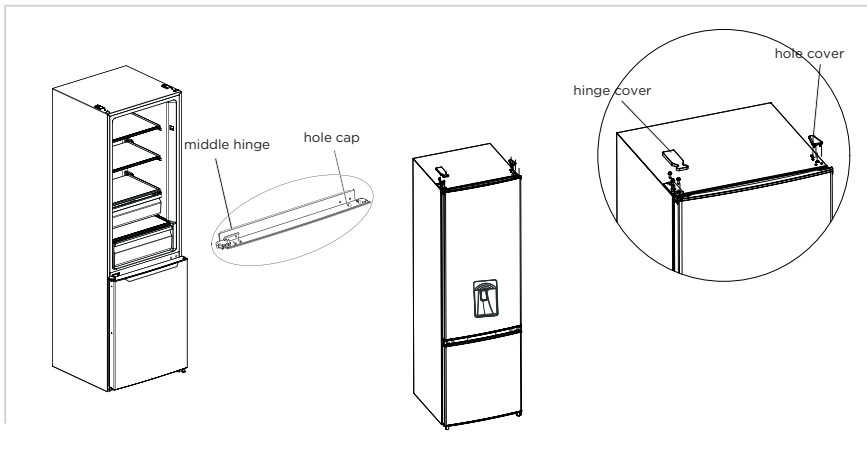
5. a) Dismantle the stopper, sleeve pipe of refrigerating chamber door. assemble the sleeve pipe and stopper on bottom left of door with screw.
- b) Dismantle the stopper and sleeve pipe from right of freezing chamber door, assemble the sleeve pipe and stopper on bottom left of door by screw. Take off the sleeve pipe and hole caps on the freezing chamber door and mount it on the other side.



6. Put freezing door on bottom hinge and install middle hinge, hole caps.
7. Put the refrigerating chamber door on middle hinge and install upper hinge, hinge cover.

8. Put the refrigerating chamber door on middle hinge and install upper hinge, hinge cover.

The following must be confirmed before installing the top hinge cover. The screws that hold the hinge should be tightly pressed against the hinge surface to ensure that the screw is not deflected. After the hinge is installed, make sure there is no shaking.

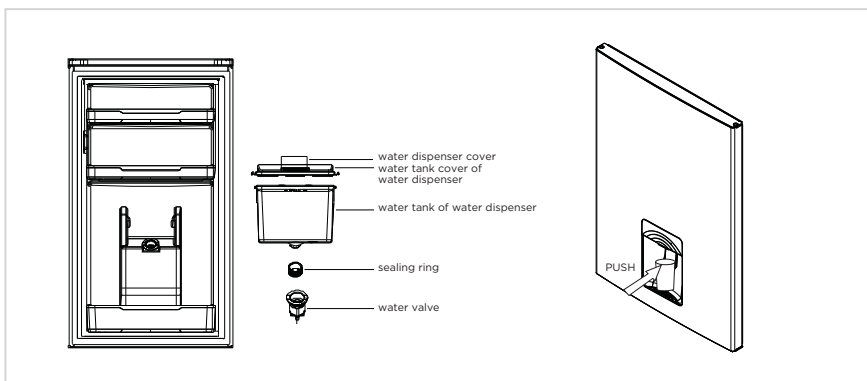


ATTENTION

The picture above is only for reference. The actual configuration will depend on the physical product or statement by the distributor.

Usage of water dispenser (optional)

1. First open Water inlet cover, fill with drinking water to "MAX" marked as the maximum amount of water.
2. Use the cup to push the trigger to the inside, the water will flow out, when the trigger back to the original position, the water stops.
3. Water dispenser can only be used for pure water, not suitable for beverages or fruit juice.

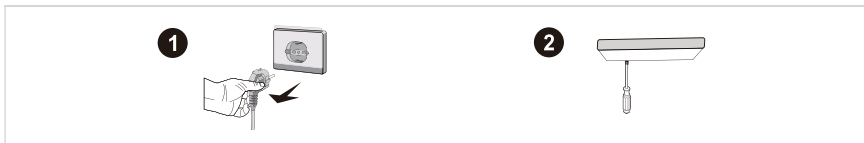


Changing the light

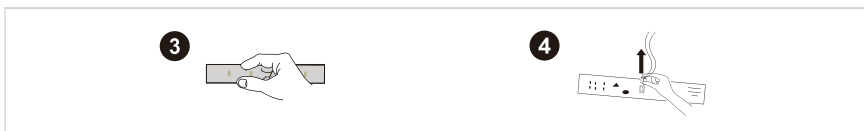
- Any replacement or maintenance of the LED lamps is intended to be made by the manufacturer, its service agent or similar qualified person. This product contains a light source of energy efficiency class <F>.

Step

- Please take out the plug before removal.
- Remove the lampshade with a screwdriver.



- Take down the lamp panel.
- Remove the connection terminal.



Connecting the appliance

Before initial start, keep the refrigerator still for two hour before connecting it to power supply.

● ATTENTION

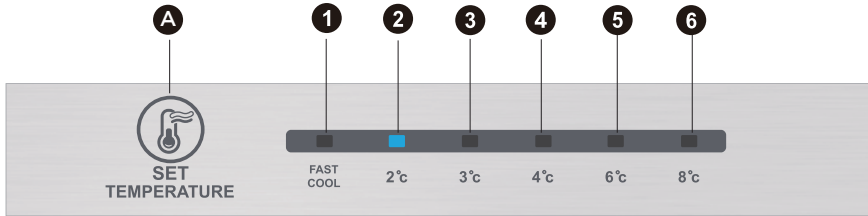
Before putting any fresh or frozen foods, the refrigerator shall have run for 2-3 hours, or for above 4 hours in summer when the ambient temperature is high.

Tips for energy saving

- The appliance should be located in the coolest area of the room, away from heat producing appliances or heating ducts, and out of the direct sunlight.
- Let hot foods cool to room temperature before placing in the appliance. Overloading the appliance forces the compressor to run longer. Foods that freeze too slowly may lose quality, or spoil.
- Be sure to wrap foods properly, and wipe containers dry before placing them in the appliance. This cuts down on frost build-up inside the appliance.
- Appliance storage bin should not be lined with aluminum foil, wax paper, or paper toweling. Liners interfere with cold air circulation, making the appliance less efficient.
- Organize and label food to reduce door openings and extended searches. Remove as many items as needed at one time, and close the door as soon as possible.

OPERATION INSTRUCTIONS

Control panel



● ATTENTION

The picture above is only for reference. The actual configuration will depend on the physical product or statement by the distributor.

Key

A	Alarm/power off/power on button
---	---------------------------------

Display screen

1	temperature setting 1
2	temperature setting 2
3	temperature setting 3
4	temperature setting 4
5	temperature setting 5
6	temperature setting 6

Display

When power-on the refrigerator, the display screen (including the key light) will shine in full for 3s, then the refrigerator runs according to temperature setting 4.

Display of normal running

On the occurrence of a failure, the corresponding LED light will give a combined display of failure code (in recycling display);

Where there is no failure, the LED light will display the existing temperature setting.

● ATTENTION

The actual control panel may differ from model to model.

Operating instructions

Gear setting

- The temperature setting will be changed once every time when you press the key SET. Then, the refrigerator will run under the new setting value after 15s. Setting 1 → Setting 2 → Setting 3 → Setting 4 → Setting 5 → Setting 6 → Setting 1 →

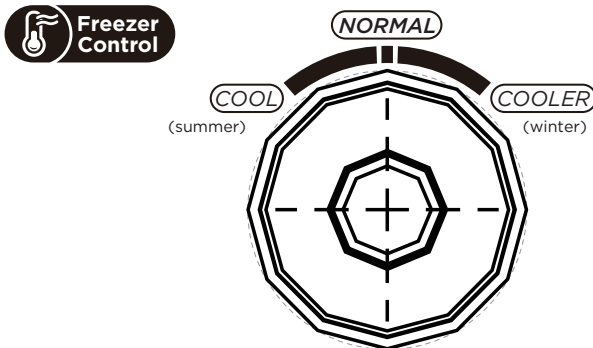
Fast cool mode:

- Enter: Circulating modulation rapid cooling mode.
- Operate: Indicator of rapid cooling lights up, and the refrigerator operates at 2°C.
- Fast cool mode automatically disabled for 24H.
- Fast cool function can be used as Super freezing function.

EN

Temperature control of freezing chamber

- The freezing temperature is relatively low in "COOLER" position, while the freezing temperature is relatively high in "COOL" position, thus, "NORMAL" position is generally used.
- When ambient temperature is high in summer, the temperature shall be in the range from "NORMAL" to "COOL". If the ambient temperature is above 35°C, then "COOL" position shall prevail.
- When ambient temperature is low in winter, the temperature shall be in the range from "NORMAL" to "COOLER". If the ambient temperature is below 10°C, then "COOLER" position shall prevail.



Error code

- The following warnings appearing on the display indicate corresponding faults of the refrigerator.
- Though the refrigerator may still have cooling and freezing function with the following faults, the user shall contact a maintenance specialist for maintenance, so as to ensure normal use of the refrigerator.

Fault Code	Fault Description
The LED 1 and LED 2 lit	Refrigerator temperature sensor circuit
The LED 1 and LED 3 lit	Freezer defrost sensor
The LED 1 and LED 4 lit	Ambient temperature sensor

Refrigerating chamber

- The Refrigerating Chamber is suitable for storage of a variety of fruits, vegetables, beverages and other food consumed in the short term, suggested storage time 3days to 5days.
- Cooking foods shall not be put in the refrigerating chamber until cooled to room temperature.
- Foods are recommended to be sealed up before putting into the refrigerator.
- The glass shelves can be adjusted up or down for a reasonable amount of storage space and easy use.

Freezing chamber

- The low temperature freezing chamber may keep food fresh for a long time and it is mainly used to store frozen foods and making ice.
- The freezing chamber is suitable for storage of meat, fish, rice balls and other foods not to be consumed in short term.
- Chunks of meat are preferably to be divided into small pieces for quick freezing and easy access. Please be noted food shall be consumed within the shelf time.

Order	Compartments TYPE	Target storage temp. [°C]	Appropriate food
1	Fridge	+2 - +8	Eggs, cooked food, packaged food, fruits and vegetables, dairy products, cakes, drinks and other foods are not suitable for freezing.
2	(***)*-Freezer	≤-18	Seafood (fish, shrimp, shellfish), freshwater aquatic products and meat products (recommended for 3 months, the longer the storage time, the worse the taste and nutrition), suitable for frozen fresh food.
3	***-Freezer	≤-18	Seafood (fish, shrimp, shellfish), freshwater aquatic products and meat products (recommended for 3 months, the longer the storage time, the worse the taste and nutrition), suitable for frozen fresh food.
4	** -Freezer	≤-12	Seafood (fish, shrimp, shellfish), freshwater aquatic products and meat products (recommended for 3 months, the longer the storage time, the worse the taste and nutrition), suitable for frozen fresh food.
5	*-Freezer	≤-6	Seafood (fish, shrimp, shellfish), freshwater aquatic products and meat products (recommended for 3 months, the longer the storage time, the worse the taste and nutrition), suitable for frozen fresh food.
6	0-star	-6 - 0	Fresh pork, beef, fish, chicken, some packaged processed foods, etc. (Recommended to eat within the same day, preferably no more than 3 days). Partially encapsulated processed foods (non-freezable foods).
7	Chill	-2 - +3	Fresh/ frozen pork, beef, chicken, freshwater aquatic products, etc. (7 days below 0°C and above 0°C is recommended for consumption within that day, preferably no more than 2 days). Seafood (less than 0 for 15 days, it is not recommended to store above 0°C).
8	Fresh food	0 - +4	Fresh pork, beef, fish, chicken, cooked food, etc. (Recommended to eat within the same day, preferably no more than 3 days)
9	Wine	+5 - +20	Red wine, white wine, sparkling wine, etc.

ATTENTION

please store different foods according to the compartments or target storage temperature of your purchased.

CLEANING AND MAINTENANCE

Overall cleaning

- Dusts behind the refrigerator and on the ground shall be timely cleaned to improve the cooling effect and energy saving.
- Check the door gasket regularly to make sure there are no debris. Clean the door gasket with a soft cloth dampened with soapy water or diluted detergent.
- The interior of the refrigerator should be cleaned regularly to avoid odor.
- Please turn off the power before cleaning interior, remove all foods, drinks, shelves, drawers, etc.
- Use a soft cloth or sponge to clean the inside of the refrigerator, with two tablespoons of baking soda and a quart of warm water. Then rinse with water and wipe clean. After cleaning, open the door and let it dry naturally before turning on the power.
- For areas that are difficult to clean in the refrigerator (such as narrow sandwiches, gaps or corners), it is recommended to wipe them regularly with a soft rag, soft brush, etc. and when necessary, combined with some auxiliary tools (such as thin sticks) to ensure no contaminants or bacterials accumulation in these areas.
- Do not use soap, detergent, scrub powder, spray cleaner, etc., as these may cause odors in the interior of the refrigerator or contaminated food.
- Clean the bottle frame, shelves and drawers with a soft cloth dampened with soapy water or diluted detergent. Dry with a soft cloth or dry naturally.
- Wipe the outer surface of the refrigerator with a soft cloth dampened with soapy water, detergent, etc., and then wipe dry.
- Do not use hard brushes, clean steel balls, wire brushes, abrasives (such as toothpastes), organic solvents (such as alcohol, acetone, banana oil, etc.), boiling water, acid or alkaline items, which may damage the fridge surface and interior. Boiling water and organic solvents such as benzene may deform or damage plastic parts.
- Do not rinse directly with water or other liquids during cleaning to avoid short circuits or affect electrical insulation after immersion.

ATTENTION

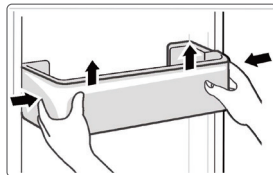
Please unplug the refrigerator for defrost and cleaning.

Defrosting

- The refrigerator is made based on the air-cooling principle and thus has automatic defrosting function. Frost formed due to change of season or temperature may also be manually removed by disconnection of the appliance from power supply or by wiping with a dry towel.

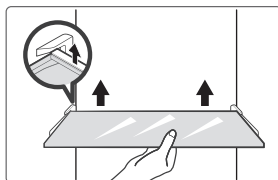
Cleaning of door tray

- According to the direction arrow in the figure below, use both hands to squeeze the tray, and push it upward, then you can take it out.
- After washing the tray having been taken out, you can adjust its installing height in accordance with your requirement.



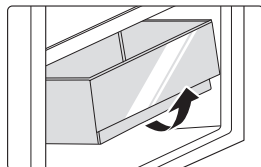
Cleaning of glass shelf

- As the innermost part of the refrigerator liner where contacting the shelves has a backstop, you shall raise the shelves upward, then you can be able to take it out.
- Adjust or clean the shelves according to your requirement.



Cleaning the vegetable drawer

1. Remove the contents of the drawer. Hold the handle of the vegetable drawer and pull it out completely until it stops.
2. Lift the vegetable drawer up and remove it by pulling it out.



Out of operation

Power failure:

In case of power failure, even if it is in summer, foods inside the appliance can be kept for several hours; during the power failure, the times of door opening shall be reduced, and no more fresh food shall be put into the appliance.

Long-time nonuse:

The appliance shall be unplugged and then cleaned; then the doors are left open to prevent odor.

Moving:

Before the refrigerator is moved, take all objects inside out, fix the glass partitions, vegetable holder, freezing chamber drawers and etc. with tape, and tighten the leveling feet; close the doors and fix them with tape. During moving, the appliance shall not be laid upside down or horizontally, or be vibrated; the inclination during movement shall be no more than 45°.

ATTENTION

The appliance shall run continuously once it is started. Generally, the operation of the appliance shall not be interrupted; otherwise the service life may be impaired.

TROUBLESHOOTING

The following simple issues can be handled by the user. Please call the after-sale service department if the issues are not solved.

Problem	Possible reason
Failed operation	<ul style="list-style-type: none"> • Check whether the appliance is connected to power or whether the plug is in well contact
	<ul style="list-style-type: none"> • Check whether the voltage is too low
	<ul style="list-style-type: none"> • Check whether there is a power failure or partial circuits have tripped
Odor	<ul style="list-style-type: none"> • Odorous foods shall be tightly wrapped
	<ul style="list-style-type: none"> • Check whether there is any rotten food
	<ul style="list-style-type: none"> • Clean the inside of the refrigerator
Long-time operation of the compressor	<ul style="list-style-type: none"> • Long operation of the refrigerator is normal in summer
	<ul style="list-style-type: none"> • when the ambient temperature is high It is not suggestible having too much food in the appliance at the same time
	<ul style="list-style-type: none"> • Food shall get cool before being put into the appliance
	<ul style="list-style-type: none"> • The doors are opened too frequently
Light fails to get lit	<ul style="list-style-type: none"> • Check whether the refrigerator is connected to power supply and whether the illuminating light is damaged
	<ul style="list-style-type: none"> • Have the light replaced by a specialist
Door can not be properly closed	<ul style="list-style-type: none"> • The door is stuck by food packages Too much food is placed
	<ul style="list-style-type: none"> • The refrigerator is tilted.
Loud noises	<ul style="list-style-type: none"> • Check whether the floor is level and whether the refrigerator is placed stably
	<ul style="list-style-type: none"> • Check whether accessories are placed at proper locations

Problem	Possible reason
Door seal fails to be tight	<ul style="list-style-type: none"> • Remove foreign matters on the door seal • Heat the door seal and then cool it for restoration (or blow it with an electrical drier or use a hot towel for heating)
Water pan overflows	<ul style="list-style-type: none"> • There is too much food in the chamber or food stored contains too much water,resulting in heavy defrosting • The doors are not closed properly, resulting in frosting due to entry of air and increased water due to defrosting
Hot housing	<ul style="list-style-type: none"> • Heat dissipation of the built-in condenser via the housing, which is normal When housing becomes hot due to high ambient temperature, storage of too much food or shutdown of the compressor is shut down, provide sound ventilation to facilitate heat dissipation
Surface condensation	<ul style="list-style-type: none"> • Condensation on the exterior surface and door seals of the refrigerator is normal when the ambient humidity is too high. Just wipe the condensate with a clean towel.
Abnormal noise	<ul style="list-style-type: none"> • Buzz: The compressor may produce buzzes during operation, and the buzzes are loud particularly upon start or stop. This is normal. • Creak: Refrigerant flowing inside of the appliance may produce creak, which is normal.

APPENDIX

Special for new European standard

The ordered parts in the following table can be acquired from Service provider channel

Ordered part	Provided by	Minimum time required for Provision
Thermostats	Professional maintenance personnel	At least 7 years after the last model is launched on the market
Temperature sensors	Professional maintenance personnel	At least 7 years after the last model is launched on the market
Printed circuit boards	Professional maintenance personnel	At least 7 years after the last model is launched on the market
Light sources	Professional maintenance personnel	At least 7 years after the last model is launched on the market
Door handles	Professional repairers and final users	At least 7 years after the last model is launched on the market
Door hinges	Professional repairers and final users	At least 7 years after the last model is launched on the market
Trays	Professional repairers and final users	At least 7 years after the last model is launched on the market
Baskets	Professional repairers and final users	At least 7 years after the last model is launched on the market
Door gaskets	Professional repairers and final users	At least 10 years after the last model is launched on the market

Dear customer

1. If you want to return or replace the product, please contact the store where you buy.
(Remember to bring the purchase invoice)
2. If your product breaks down which needs to repair, please contact after-sales service provider.

ATTENTION

The model information in the product database, as well as the model identifier, can be obtained through a weblink scanned by a QR code, if any, on the energy efficiency label of the product.

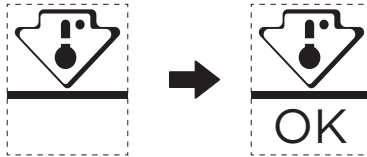
For more information about the energy efficiency of the appliance, visit <https://ec.europa.eu> and search using the model name.

The model name can be found on the rating label of the appliance.

Coldest zone in the refrigerator

OPTIONAL: OK-temperature indicator

- The OK-temperature indicator can be used to determine temperatures below +4°C. Gradually reduce the temperature if the sign does not indicate "OK".



- To ensure the temperature in this area, do not change the positioning of the shelf. In forced air refrigerators (equipped with a fan or No Frost models), the symbol of the coldest zone is not represented because the temperature inside is homogeneous.

Temperature indicator setting

- To help you set your refrigerator well, it is equipped with a temperature indicator that will monitor the average temperature in the coldest zone.
- **WARNING:** This indicator is intended to work only with your refrigerator, do not use it in another refrigerator (in fact, the coldest zone is not the same), or for any other use.

Checking the temperature in the coldest zone

- With the temperature indicator, you can check regularly that the temperature of the coldest zone is correct. Indeed, the internal temperature of the refrigerator depends on several factors such as the ambient temperature of the room, the amount of food stored and the frequency of door opening. Take these factors into consideration when setting the device.
- When the indicator shows "OK", this means that your thermostat is well adjusted and the internal temperature correct.
- If the indicator of temperature turns WHITE, this means that the temperature is too high; in this case, increase the refrigerator temperature control setting and wait for 12 hours before performing a new visual inspection of the indicator. When fresh food has been introduced or the door has been left open, it is possible for the indicator of temperature to turn WHITE after a while.

LETTERA DI RINGRAZIAMENTO

Grazie per aver scelto Midea! Prima di utilizzare il nuovo prodotto Midea, leggere attentamente il presente manuale per essere certi di saper utilizzare in modo sicuro le caratteristiche e le funzioni offerte dal nuovo apparecchio.

INDICE

IT

LETTERA DI RINGRAZIAMENTO	01
SPECIFICHE	02
PANORAMICA DEL PRODOTTO	03
INSTALLAZIONE DEL PRODOTTO	04
ISTRUZIONI DI FUNZIONAMENTO	12
PULIZIA E MANUTENZIONE	16
RISOLUZIONE DEI PROBLEMI	18
APPENDICE	20

SPECIFICHE

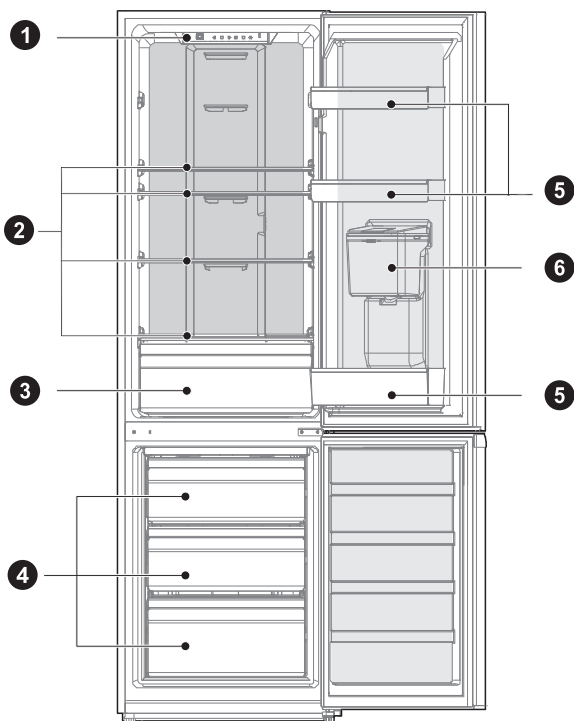
Modello del prodotto	MDRB380FGE SERIES
Volume dello scomparto di conservazione degli alimenti freschi	199 L
Volume di conservazione degli alimenti congelati	71 L
Tipo di sbrinamento	Sbrinamento automatico
Tempo di incremento temperatura	7 h
Capacità di congelamento	3.5 kg/24h
Tensione nominale	220-240 V-
Corrente nominale	0.6 A
Dimensioni complessive (A x L x P)	1800x545x625 mm

IT

PANORAMICA DEL PRODOTTO

Nomi dei componenti

IT



- | | | | |
|----------|----------------------------------|----------|----------------------------------|
| 1 | Luce LED | 4 | Cassetto |
| 2 | Ripiano | 5 | Ripiano dello sportello |
| 3 | Contenitore per frutta e verdura | 6 | Dispenser dell'acqua (opzionale) |

● ATTENZIONE

La figura sopra riportata viene fornita solo a scopo indicativo. La configurazione effettiva dipende dalle caratteristiche fisiche del prodotto e dalle indicazioni del distributore.

INSTALLAZIONE DEL PRODOTTO

Istruzioni di installazione

Apparecchi di refrigerazione con classe climatica

- A seconda della classe climatica, gli apparecchi di refrigerazione sono pensati per essere utilizzati alle temperature ambiente indicate nella tabella sottostante.
- La classe climatica è riportata sulla targhetta di identificazione del prodotto. Il prodotto potrebbe non funzionare correttamente a temperature che non rientrano nell'intervallo specificato.
- È possibile trovare la classe climatica sull'etichetta del prodotto.

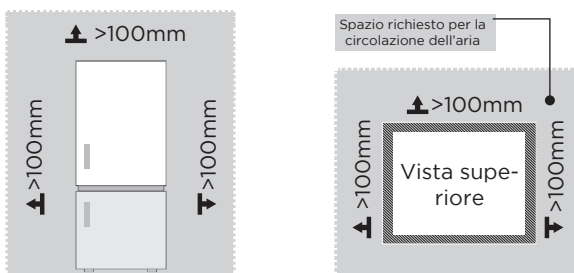
Intervallo di temperatura effettiva

- L'apparecchio è pensato per funzionare normalmente entro l'intervallo di temperatura specificato a seconda della classe climatica.

Classe	Simbolo	Intervallo di temperatura ambiente °C	
		IEC 62552 (ISO 15502)	ISO 8561
Area temperata estesa	SN	da +10 a +32	da +10 a +32
Area temperata	N	da +16 a +32	da +16 a +32
Area Subtropicale	ST	da +16 a +38	da +18 a +38
Area Tropicale	T	da +16 a +43	da +18 a +43

Dimensioni e spazi

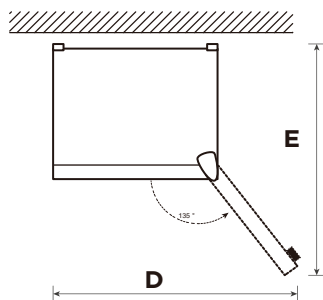
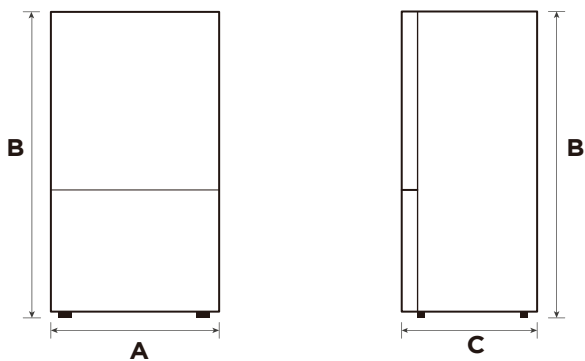
- Una distanza eccessivamente esigua dagli elementi adiacenti può comportare una riduzione della capacità di congelamento e un aumento dei costi dell'elettricità. Durante l'installazione dell'apparecchio, lasciare una distanza di oltre 100 mm da ogni parete adiacente.



ATTENZIONE

La figura sopra riportata viene fornita solo a scopo indicativo. La configurazione effettiva dipende dalle caratteristiche fisiche del prodotto e dalle indicazioni del distributore.

Disegno sui requisiti di spazio (quando lo sportello è aperto e quando è chiuso)



Larghezza	Altezza complessiva	Profondità	Larghezza sportelli aperti a 135°	Profondità sportelli aperti a 135°
A	B	C	D	E
545	1800	625	820	1070

Nota: Tutte le dimensioni in mm

Piedini di livellamento

Per evitare vibrazioni, l'unità deve trovarsi in piano.

Se necessario, regolare le viti di livellamento per compensare le irregolarità del pavimento.

La parte anteriore deve essere leggermente più alta rispetto a quella posteriore per facilitare la chiusura dello sportello,

Le viti di livellamento possono essere girate facilmente ribaltando leggermente il mobile.

Girare le viti di livellamento in senso antiorario  per sollevare l'unità, in senso orario  per abbassarla.

Spostamento dell'apparecchio

1. Prima di spostare il frigorifero, togliere tutti gli oggetti all'interno e scollegare la spina di alimentazione.
2. Fissare con del nastro adesivo le divisioni in vetro, il contenitore delle verdure, i cassetti del vano congelatore, ecc. dopodiché stringere i piedini di livellamento; chiudere gli sportelli e fissarli con del nastro adesivo.
3. Spostare con cautela l'apparecchio insieme a più di due persone. Durante lo spostamento, l'apparecchio non deve essere capovolto o messo in orizzontale in modo eccessivo, né deve essere sottoposto a vibrazioni; l'inclinazione durante lo spostamento non deve essere superiore a 45°.
4. Dopo aver installato l'apparecchio, collegare la spina a una presa di corrente per accenderlo.

ATTENZIONE

Precauzioni prima dell'utilizzo:

Prima di apportare qualunque modifica al frigorifero, scollegarlo dall'alimentazione. Inoltre è necessario prendere le dovute precauzioni per evitare lesioni personali.

Collocazione

- Prima dell'utilizzo, rimuovere tutti i materiali di imballaggio, le imbottiture della base e quelle in gommapiuma, oltre ai nastri adesivi all'interno del frigorifero; inoltre rimuovere le pellicole protettive sulle porte e il corpo del frigorifero.
- Tenere il prodotto lontano da fonti di calore ed evitare l'esposizione diretta alla luce solare. Non collocare il frigorifero in ambienti umidi per prevenire la formazione di ruggine e la riduzione dell'effetto isolante.
- Non spruzzare con liquidi né bagnare il frigo; non collocare il frigorifero in ambienti umidi per non comprometterne le capacità di isolamento elettrico.
- Collocare il frigorifero al chiuso in un ambiente ben ventilato, poggiandolo su un terreno piano e robusto (ruotare le rotelle a sinistra o a destra per regolarne il livellamento in caso di instabilità).

Cambio dello sportello a sinistra o a destra (opzionale)

In base alla posizione in cui si intende utilizzare il frigorifero, potrebbe essere più comodo invertire la posizione dello sportello.

PRECAUZIONI

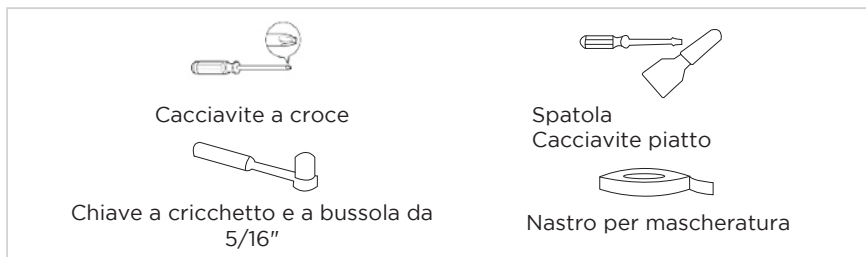
PRECAUZIONI: per evitare lesioni personali o alle cose, si consiglia di farsi assistere da qualcuno durante l'inversione dello sportello.

Preparazione per l'inversione della posizione dello sportello

A tal fine sarà necessario: un cacciavite standard, un cacciavite a croce e la chiave a brugola in dotazione.

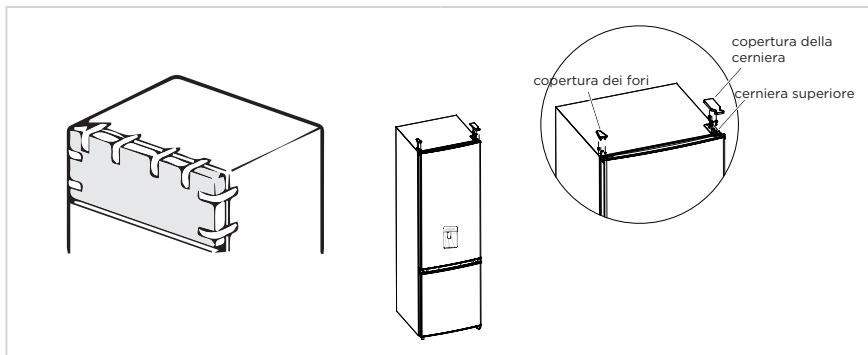
- Assicurarsi che il frigorifero sia scollegato e vuoto.
- Farsi assistere da un'altra persona per compiere l'operazione.
- Conservare tutte le parti rimosse per riutilizzarle in seguito.

Utensili necessari per cambiare lo sportello:

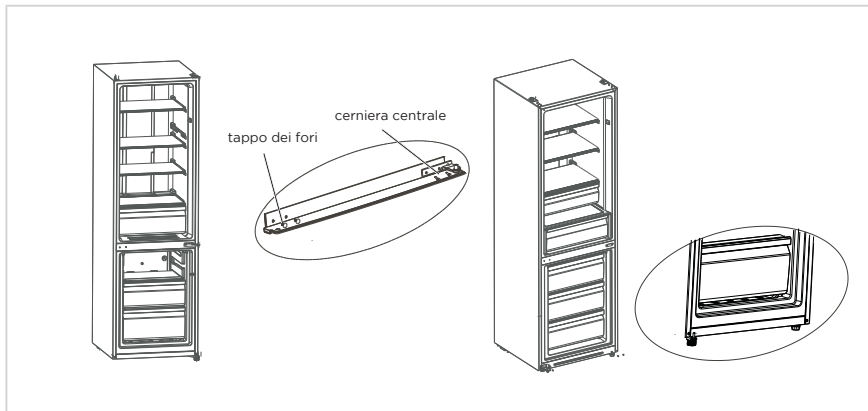


Procedura

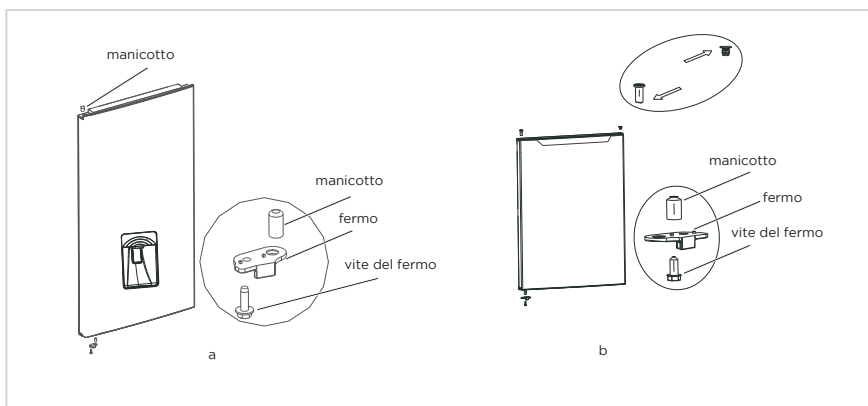
1. Spegner l'elettrodomestico prima di effettuare questa operazione. Rimuovere tutti gli alimenti dal vano interno dello sportello. Chiudere lo sportello e avvolgerlo con del nastro.
2. Smontare il coperchio dei fori, il coperchio della cerniera e la cerniera superiore.



3. Togliere lo sportello del vano frigorifero, la cerniera centrale (utilizzare una chiave a brugola per rimuovere la vite della cerniera centrale) e il tappo del foro sul lato opposto.
4. Togliere lo sportello del vano congelatore, rimuovere la cerniera inferiore, i tappi dei fori, il piedino di livellamento e installare la cerniera inferiore sul lato opposto.



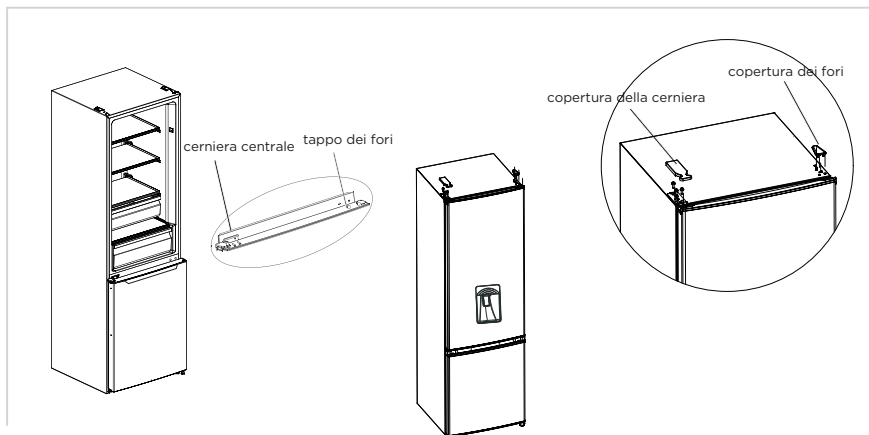
5. a) Rimuovere il fermo, il maniccotto dello sportello del vano frigorifero, dopodiché montare il maniccotto e il fermo in basso a sinistra dello sportello mediante una vite.
- b) Rimuovere il fermo e il maniccotto dalla parte destra dello sportello del vano congelatore, montare il maniccotto e il fermo in basso a sinistra dello sportello mediante una vite. Togliere il maniccotto e i tappi dei fori sullo sportello del vano congelatore e montarlo sul lato opposto.



6. Posizionare lo sportello del congelatore sulla cerniera inferiore, dopodiché installare la cerniera centrale e i tappi dei fori.
7. Posizionare lo sportello del vano frigorifero sulla cerniera centrale e installare la cerniera superiore e il coperchio della cerniera.

8. Posizionare lo sportello del vano frigorifero sulla cerniera centrale e installare la cerniera superiore e il coperchio della cerniera.

Prima di installare il coperchio della cerniera superiore, è necessario verificare quanto segue. Le viti che tengono la cerniera devono essere ben premute contro la superficie della cerniera per garantire che la vite non si sposti, dopo l'installazione della cerniera, assicurarsi che non vi siano oscillazioni.

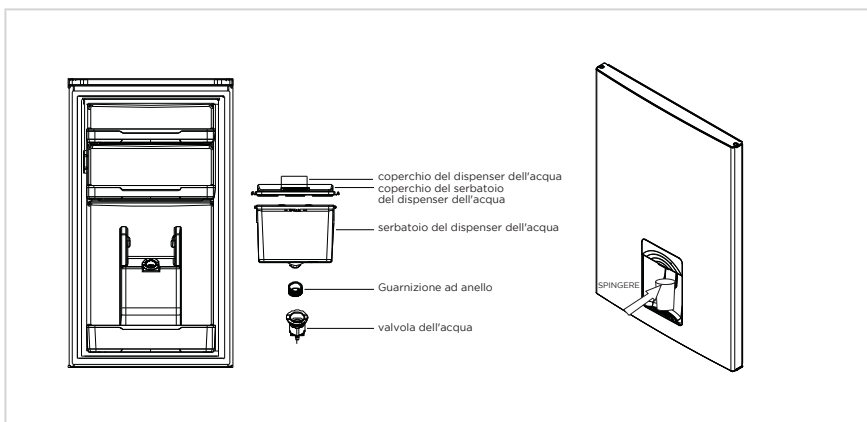


● ATTENZIONE

La figura sopra riportata viene fornita solo a scopo indicativo. La configurazione effettiva dipende dalle caratteristiche fisiche del prodotto e dalle indicazioni del distributore.

Utilizzo del dispenser dell'acqua (opzionale)

1. Per prima cosa, aprire il coperchio dell'ingresso dell'acqua, riempire con acqua potabile fino a raggiungere la quantità massima di acqua indicata con il segno "MAX".
2. Utilizzare il misurino per spingere la levetta verso l'interno, a questo punto l'acqua viene erogata; quando la levetta torna nella posizione di partenza, l'acqua si ferma.
3. Il dispenser dell'acqua può essere utilizzato solo per l'acqua pura, non è adatto per bevande o succhi di frutta.

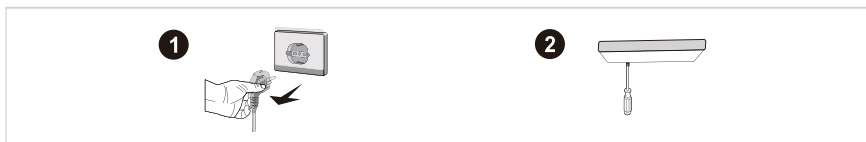


Sostituzione della luce

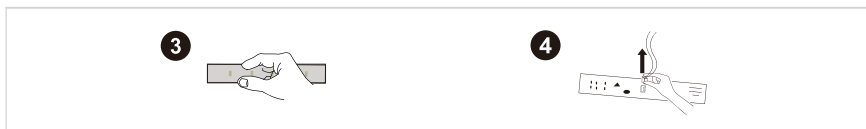
- Tutte le operazioni di sostituzione e manutenzione sulle lampade a LED devono essere svolte dal produttore, dal suo personale di assistenza autorizzato o altro personale qualificato. Il prodotto contiene una sorgente luminosa con classe di efficienza energetica <F>.

Procedura

1. Staccare la spina prima di procedere con la rimozione.
2. Rimuovere il coprिलampada con un cacciavite.



3. Togliere il pannello della lampada.
4. Rimuovere il morsetto di collegamento.



Collegamento dell'apparecchio

Prima di iniziare a usarlo, lasciare riposare il frigorifero per due ore, quindi collegarlo all'alimentazione.

ATTENZIONE

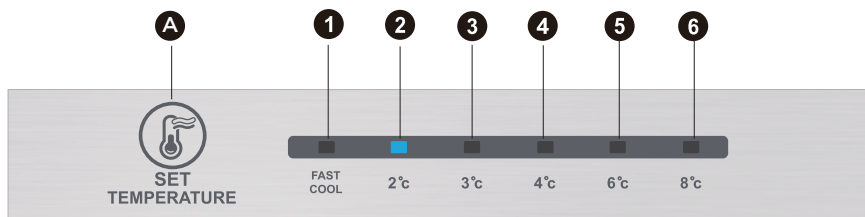
Prima di conservare vivande fresche o congelate nel frigorifero, esso deve essere stato in funzione almeno 2 o 3 ore, ovvero oltre 4 ore in estate, quando la temperatura ambientale è molto alta.

Suggerimenti per il risparmio energetico

- L'elettrodomestico deve essere collocato nell'area meglio ventilata della stanza, lontano dal calore di altre apparecchiature, da fonti di calore e dalla luce solare diretta.
- Far raffreddare i cibi caldi a temperatura ambiente prima di collocarli nel frigorifero. Un sovraccarico dell'apparecchio richiede un maggiore sforzo del compressore. I cibi che congelano troppo lentamente possono perdere qualità e andare a male.
- Assicurarsi di avvolgere correttamente i cibi e di asciugare i contenitori prima di inserirli nell'apparecchio, in modo da ridurre la formazione di brina all'interno dello stesso.
- I vani di conservazione del frigorifero non devono essere foderati con fogli di alluminio, carta oleata o tovaglioli di carta. Questi materiali possono interferire con la circolazione dell'aria fredda, riducendo l'efficienza dell'apparecchio.
- Sistemare in modo ordinato gli alimenti utilizzando apposite etichette, per evitare ricerche prolungate che costringano a tenere lo sportello aperto troppo a lungo. Estrarre in una sola volta tutti gli alimenti desiderati e richiudere immediatamente lo sportello.

ISTRUZIONI DI FUNZIONAMENTO

Pannello comandi



IT

● ATTENZIONE

La figura sopra riportata viene fornita solo a scopo indicativo. La configurazione effettiva dipende dalle caratteristiche fisiche del prodotto e dalle indicazioni del distributore.

Tasti

A Avviso/pulsante di accensione/spengimento

Schermo del display

1	impostazione temperatura 1
2	impostazione temperatura 2
3	impostazione temperatura 3
4	impostazione temperatura 4
5	impostazione temperatura 5
6	impostazione temperatura 6

Display

All'accensione del frigorifero, lo schermo del display (compresa la luce dei tasti) si illumina completamente per 3 secondi, dopodiché il frigorifero inizierà a funzionare secondo l'impostazione della temperatura 4.

Visualizzazione delle condizioni di funzionamento

In caso di guasto, la spia LED corrispondente visualizzerà il codice del guasto (nel display di riciclo);

In assenza di guasti, la spia LED visualizza l'impostazione di temperatura esistente.

● ATTENZIONE

Il pannello comandi effettivo può variare da modello a modello.

Istruzioni di funzionamento

Impostazione del livello

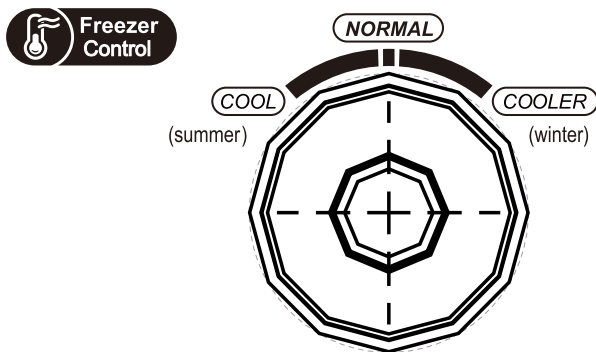
- L'impostazione della temperatura verrà modificata ogni volta che viene premuto il tasto SET. Dopo 15 secondi, il frigorifero funzionerà secondo il nuovo valore di impostazione. Impostazione 1 → Impostazione 2 → Impostazione 3 → Impostazione 4 → Impostazione 5 → Impostazione 6 → Impostazione 1 →

Modalità di raffreddamento rapido:

- Accedere all'impostazione della modalità: Modalità di raffreddamento rapido a modulazione circolatoria.
- Funzionamento: l'indicatore di raffreddamento rapido si accende e il frigorifero funziona a 2 °C.
- Modalità di raffreddamento rapido disabilitata automaticamente per 24 ore.
- La funzione di raffreddamento rapido può essere utilizzata come funzione di congelazione.

Controllo della temperatura del vano congelatore

- La temperatura di congelazione è relativamente bassa in posizione "COOLER", mentre la temperatura di congelamento è relativamente alta in posizione "COOL"; pertanto, in genere si utilizza la posizione "NORMAL".
- Quando la temperatura ambiente è elevata in estate, la temperatura deve essere compresa tra "NORMAL" e "COOL". Se la temperatura ambiente è superiore a 35 °C, prevale la posizione "COOL".
- Quando la temperatura ambiente è bassa in inverno, la temperatura deve essere compresa tra "NORMAL" e "COOLER". Se la temperatura ambiente è inferiore a 10 °C, prevale la posizione "COOLER".



Codice errore

- I seguenti avvisi appaiono sul display per indicare le corrispondenti situazioni di guasto del frigorifero.
- Anche se il frigorifero può continuare a refrigerare e conservare le vivande fredde pur in presenza di tali condizioni di errore, l'utente dovrà tempestivamente contattare gli addetti alla manutenzione per segnalare il problema e consentire il ritorno al normale funzionamento.

Codice di guasto	Descrizione del guasto
Il LED 1 e il LED 2 sono accesi	Circuito del sensore di temperatura del frigorifero
Il LED 1 e il LED 3 sono accesi	Sensore di sbrinamento del congelatore
Il LED 1 e il LED 4 sono accesi	Sensore della temperatura ambiente

Vano frigorifero

- Il vano frigorifero è adatto per la conservazione di frutta, verdura, bevande e altri alimenti da consumarsi rapidamente. Il tempo di conservazione consigliato varia da 3 a 5 giorni.
- I cibi cotti non devono essere sistemati nel vano refrigerante senza prima averli fatti raffreddare a temperatura ambiente.
- Si suggerisce di chiudere ermeticamente le vivande prima di sistemarle in frigo.
- I ripiani in vetro possono essere sistemati in alto o in basso secondo quanto necessario per ottimizzare lo spazio di conservazione e migliorare l'utilizzo dell'apparecchio.

Vano congelatore

- Il vano congelatore a bassa temperatura può essere utilizzato per conservare cibi freschi per periodi prolungati, ma è usato soprattutto per la conservazione di cibi congelati e per creare cubetti di ghiaccio.
- Il vano congelatore è adatto alla conservazione di carne, pesce, arancini e altre vivande che non devono essere consumate a breve termine.
- I blocchi di carne di grandi dimensioni devono essere suddivisi in pezzi più piccoli per un congelamento rapido e una facile disposizione. Le vivande devono essere consumate entro la data di scadenza.

Ordine	TIPOLOGIA scomparto	Temp. di conservazione nominale [°C]	Alimenti adatti
1	Frigorifero	+2 - +8	Uova, cibi cotti, cibi confezionati, frutta e verdura, latticini, dolci, bevande e altri alimenti non sono adatti alla congelazione.
2	(***)*-Congelatore	≤-18	Frutti di mare (pesce, gamberi, crostacei), prodotti ittici d'acqua dolce e prodotti a base di carne (consigliato per 3 mesi, più lungo è il tempo di conservazione, peggiore sarà il sapore e le proprietà nutritive), adatto per alimenti freschi congelati.
3	***-Congelatore	≤-18	Frutti di mare (pesce, gamberi, crostacei), prodotti ittici d'acqua dolce e prodotti a base di carne (consigliato per 3 mesi, più lungo è il tempo di conservazione, peggiore sarà il sapore e le proprietà nutritive), adatto per alimenti freschi congelati.
4	** -Congelatore	≤-12	Frutti di mare (pesce, gamberi, crostacei), prodotti ittici d'acqua dolce e prodotti a base di carne (consigliato per 3 mesi, più lungo è il tempo di conservazione, peggiore sarà il sapore e le proprietà nutritive), adatto per alimenti freschi congelati.
5	*-Congelatore	≤-6	Frutti di mare (pesce, gamberi, crostacei), prodotti ittici d'acqua dolce e prodotti a base di carne (consigliato per 3 mesi, più lungo è il tempo di conservazione, peggiore sarà il sapore e le proprietà nutritive), adatto per alimenti freschi congelati.
6	0 stelle	-6 - 0	Carne fresca di maiale, manzo, pesce, pollo, alcuni alimenti confezionati, ecc. (si consiglia di consumarli entro lo stesso giorno, preferibilmente non oltre 3 giorni). Alimenti parzialmente trasformati e incapsulati (alimenti non congelabili).
7	Conservazione a breve termine	-2 - +3	Carne di maiale fresca/congelata, manzo, pollo, prodotti ittici d'acqua dolce, ecc. (7 giorni sotto 0 °C e sopra 0 °C si consiglia di consumarli entro lo stesso giorno, preferibilmente entro non più di 2 giorni). Prodotti ittici (meno di 0 per 15 giorni, si sconsiglia di conservarli sopra 0 °C).
8	Alimenti freschi	0 - +4	Carne fresca di maiale, manzo, pesce, pollo, alimenti cotti, ecc. (si consiglia di consumarli entro lo stesso giorno, preferibilmente non oltre 3 giorni)
9	Vino	+5 - +20	Vino rosso, vino bianco, spumante, ecc.

ATTENZIONE

conservare gli alimenti in base agli scomparti o alla temperatura di conservazione desiderata.

PULIZIA E MANUTENZIONE

IT

Pulizia complessiva

- La polvere dietro al frigorifero e sul pavimento deve essere regolarmente rimossa per migliorare il funzionamento e risparmiare energia.
- Controllare periodicamente l'accumulo di detriti sulla guarnizione della porta. Pulire la guarnizione dello sportello con un panno morbido imbevuto con acqua e sapone o con un detergente diluito.
- L'interno del frigorifero va pulito regolarmente per evitare la formazione di cattivi odori.
- Prima di procedere alla pulizia degli interni, scollegare l'alimentazione, rimuovere tutti i cibi e le bevande, oltre a scaffali, cassetti ecc.
- Pulire l'interno del frigorifero con un panno morbido o una spugna, imbevuti in una soluzione di 1 L di acqua tiepida con due cucchiaini di bicarbonato di sodio. Successivamente, risciacquare con acqua e asciugare accuratamente. Dopo la pulizia, lasciare aperto lo sportello e lasciare asciugare all'aria prima di ricollegare l'alimentazione elettrica.
- La pulizia di aree del frigo che sono difficili da raggiungere (quali angoli e aperture strette) va effettuata regolarmente servendosi di uno straccio o un pennello morbido. Se necessario, servirsi di strumenti aggiuntivi di pulizia (ad es., bastoncini) per evitare l'accumulo di sporco e residui contaminanti in tali punti.
- Non usare saponi, detersivi, polveri abrasive, detersivi spray e simili, che potrebbero causare l'accumulo di cattivi odori e anche la contaminazione delle vivande all'interno del frigorifero.
- Pulire il ripiano delle bottiglie, scaffali e cassetti con un panno morbido imbevuto con acqua e sapone o un detergente diluito. Asciugare con un panno morbido o lasciare asciugare all'aria.
- Pulire la superficie esterna del frigorifero con un panno morbido imbevuto con acqua e sapone, un detergente, o prodotti simili, quindi asciugare.
- Non usare spazzole rigide o metalliche, strumenti di pulizia in acciaio, sostanze abrasive (ad es. dentifrici), solventi organici (quali alcol, acetone, acetato di isoamile, ecc.), acqua bollente, sostanze acide o alcaline, che potrebbero danneggiare la superficie e l'interno del frigo. L'acqua bollente e i solventi organici, come il benzene, potrebbero deformare o danneggiare le parti in plastica.
- Durante le operazioni di pulizia, non lavare direttamente con acqua o altri liquidi per evitare il rischio di corto circuito e non compromettere l'isolamento elettrico dell'elettrodomestico.

ATTENZIONE

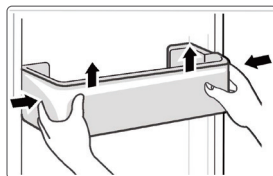
Scollegare il frigorifero dall'alimentazione elettrica prima di procedere a sbrinamento e pulizia.

Sbrinamento

- Il frigorifero funziona in base al principio di raffreddamento ad aria ed è dotato della funzione di sbrinamento automatico. Il ghiaccio che si forma a causa di variazioni stagionali di temperatura può essere rimosso anche manualmente, scollegando l'apparecchio dall'alimentazione elettrica o utilizzando un panno asciutto.

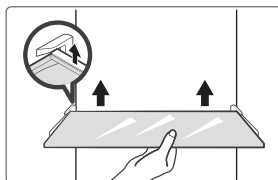
Pulizia del balconcino della porta

- Seguendo la freccia direzionale indicata nella figura seguente, afferrare il vassoio con entrambe le mani e spingerlo verso l'alto per poi estrarlo.
- Dopo aver lavato il vassoio estratto, risistemarlo all'altezza di installazione richiesta.



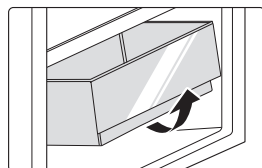
Pulizia dei ripiani in vetro

- Poiché la parte interna del frigo viene a contatto con i ripiani e funge da arresto, è possibile sollevare i ripiani per estrarli.
- Pulire e sistemare i ripiani come richiesto.



Pulizia del cassetto delle verdure

1. Rimuovere i contenuti del cassetto. Afferrare la maniglia del cassetto delle verdure ed estrarlo completamente fino all'arresto.
2. Sollevare il cassetto delle verdure e rimuoverlo estraendolo completamente.



Guasti di funzionamento

Interruzione di corrente:

In caso di interruzioni di corrente, il frigorifero è in grado di conservare le vivande contenute al suo interno per diverse ore, anche in estate. Durante l'interruzione di corrente, ridurre le aperture del frigo ed evitare di inserirvi nuove vivande fresche.

Periodi prolungati di mancato utilizzo:

In tal caso il frigorifero deve essere scollegato dall'alimentazione elettrica, lasciando la porta aperta per evitare la formazione di cattivi odori al suo interno.

Spostamenti:

Prima di spostare il frigorifero, svuotarlo completamente, fissare con del nastro adesivo le divisioni in vetro, il contenitore delle verdure, il vano congelatore, i cassettei ecc. Inoltre stringere i piedini di livellamento, chiudere le porte e fissarle con del nastro adesivo. Durante lo spostamento, non capovolgere il frigorifero, né muoverlo orizzontalmente, evitando di sottoporlo a urti e vibrazioni. L'inclinazione durante il trasporto non deve superare i 45°.

● ATTENZIONE

Una volta avviato, l'apparecchio deve funzionare ininterrottamente. In generale, l'utilizzo del frigorifero non deve essere interrotto, per evitare di comprometterne il corretto funzionamento.

RISOLUZIONE DEI PROBLEMI

I seguenti problemi semplici possono essere risolti dall'utente. Contattare il servizio di assistenza post-vendita se non è possibile risolvere questi problemi.

Problema	Possibile causa
Mancato funzionamento	• Controllare che l'elettrodomestico sia collegato all'alimentazione elettrica e che la spina sia ben inserita nella presa.
	• Verificare che la tensione non sia troppo bassa.
	• Verificare che non ci siano interruzioni di corrente o cortocircuiti anche parziali
Cattivi odori	• Le vivande che emanano forte odore devono essere accuratamente protette
	• Controllare che non ci siano alimenti andati a male.
	• Pulire l'interno del frigorifero
Usura del compressore per funzionamento prolungato	• È normale che il compressore del frigorifero funzioni più a lungo in estate.
	• quando la temperatura ambiente è elevata in estate, si suggerisce in ogni caso di non sovraccaricare mai con troppe vivande il frigorifero
	• Le vivande calde devono essere fatte raffreddare prima di essere messe in frigo
	• Gli sportelli vengono aperti troppo di frequente
La luce non si accende	• Controllare che il frigorifero sia collegato correttamente all'alimentazione e che la lampadina non sia danneggiata.
	• La luce deve essere sostituita da un tecnico esperto
Lo sportello non si chiude correttamente	• La porta è ostruita da confezioni di cibo. Il frigo contiene troppe vivande
	• Il frigorifero è inclinato.
Rumori forti	• Controllare che il pavimento sia livellato e che il frigorifero vi sia poggiato in modo stabile
	• Controllare che gli accessori siano posizionati correttamente.

Problema	Possibile causa
La guarnizione dello sportello non garantisce una chiusura ermetica	<ul style="list-style-type: none"> • Rimuovere corpi estranei dalla guarnizione della porta. • Riscaldare e raffreddare la guarnizione della porta per ripristinarla (oppure servirsi di un asciugatore elettrico o di una tovaglia bollente per riscaldarla)
Fuoriuscita dell'acqua dalla vaschetta di raccolta	<ul style="list-style-type: none"> • C'è troppo cibo nel vano refrigerante oppure le vivande conservate contengono troppa acqua, che causa un eccessivo sbrinamento. • Gli sportelli non si chiudono correttamente, causando la formazione di ghiaccio a causa dell'ingresso di aria e un aumento dell'acqua di sbrinamento.
L'involucro esterno dell'apparecchio è caldo	<ul style="list-style-type: none"> • La dissipazione di calore del condensatore integrato avviene normalmente tramite l'alloggiamento del frigo. Se l'alloggiamento diventa troppo caldo a causa dell'elevata temperatura ambientale o per la conservazione di troppe vivande, si suggerisce di garantire un'adeguata ventilazione per facilitare la dissipazione del calore
Condensa sulla superficie	<ul style="list-style-type: none"> • La formazione di condensa sulla superficie esterna e sulle guarnizioni degli sportelli del frigorifero è normale quando l'umidità dell'ambiente è elevata. È sufficiente asciugare la condensa con un panno pulito.
Rumori anomali	<ul style="list-style-type: none"> • Ronzio: il compressore può produrre dei ronzii, in particolare in fase di accensione e spegnimento. Ciò è perfettamente normale. • Cigolii: Il flusso del refrigerante all'interno dell'elettrodomestico può produrre cigolii, il che è normale.

APPENDICE

Disposizioni speciali dei nuovi standard europei

I pezzi di ricambio indicati nella tabella che segue possono essere acquistati tramite il servizio di assistenza

Parte da ordinare	Fornita da	Tempo minimo di messa a disposizione
Termostati	Personale di manutenzione professionale	Almeno 7 anni dopo il lancio sul mercato dell'ultimo modello
Sensori di temperatura	Personale di manutenzione professionale	Almeno 7 anni dopo il lancio sul mercato dell'ultimo modello
Circuiti stampati	Personale di manutenzione professionale	Almeno 7 anni dopo il lancio sul mercato dell'ultimo modello
Sorgente luminosa	Personale di manutenzione professionale	Almeno 7 anni dopo il lancio sul mercato dell'ultimo modello
Maniglie degli sportelli	Riparatori professionisti e utenti finali	Almeno 7 anni dopo il lancio sul mercato dell'ultimo modello
Cerniere dello sportello	Riparatori professionisti e utenti finali	Almeno 7 anni dopo il lancio sul mercato dell'ultimo modello
Vassoi	Riparatori professionisti e utenti finali	Almeno 7 anni dopo il lancio sul mercato dell'ultimo modello
Cestelli	Riparatori professionisti e utenti finali	Almeno 7 anni dopo il lancio sul mercato dell'ultimo modello
Guarnizioni dello sportello	Riparatori professionisti e utenti finali	Almeno 10 anni dopo il lancio sul mercato dell'ultimo modello

Gentile cliente

1. Per restituire o sostituire il prodotto, rivolgersi al punto vendita presso cui è stato acquistato.
(Ricordarsi di portare la ricevuta dell'acquisto)
2. In caso il prodotto necessiti di riparazione, occorre contattare il centro di assistenza post-vendita.

ATTENZIONE

Le informazioni sul modello contenute nel database e l'identificativo del modello possono essere ottenuti attraverso un link ed eseguendo la scansione del codice QR, se presente, riportato sull'etichetta energetica del prodotto.

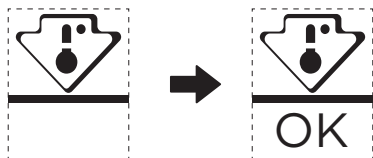
Per ulteriori informazioni sull'efficienza energetica dell'apparecchio, visitare il sito <https://ec.europa.eu> e cercare il nome del modello.

Il nome del modello è riportato sull'etichetta dati dell'apparecchio.

Zona più fredda del frigorifero

OPZIONALE: indicatore temperatura OK

- L'indicatore temperatura OK può essere utilizzato per determinare le temperature inferiori a +4 °C. Ridurre gradualmente la temperatura qualora l'indicatore non indichi "OK".



- Per mantenere la temperatura di quest'area, non cambiare la posizione dello scaffale. Nei frigoriferi ad aria compressa (dotati di ventola o nei modelli No Frost), il simbolo della zona più fredda è assente, perché la temperatura interna è omogenea.

Impostazione della temperatura

- Per configurare al meglio il frigorifero, esso è dotato di un indicatore di temperatura che controlla la temperatura media nella zona più fredda.
- **AVVERTENZA:** Questo indicatore funziona solo in questo modello, non tentare di usarlo in altri frigoriferi (nei quali la zona più fredda è diversa), né per nessun altro scopo.

Controllo della temperatura nella zona più fredda

- L'indicatore di temperatura permette di controllare con regolarità la corretta temperatura della zona più fredda. In realtà, la temperatura interna del frigo dipende da vari fattori, quali la temperatura ambientale esterna, la quantità di cibo conservata e la frequenza di apertura della porta. Tenere conto di questi fattori per configurare il dispositivo.
- Quando l'indicatore mostra «OK», il termostato è ben regolato e la temperatura interna è corretta.
- Se l'indicatore di temperatura diventa BIANCO, vuol dire che la temperatura è troppo alta; in tal caso, incrementare l'impostazione del controllo di temperatura del frigo e attendere 12 ore prima di controllare di nuovo l'indicatore. Dopo aver inserito cibo fresco in frigo o dopo l'apertura della porta, è possibile che l'indicatore di temperatura diventi BIANCO dopo un po' di tempo.

GRACIAS POR SU CARTA

¡Gracias por elegir Midea! Antes de usar su nuevo producto Midea, lea detenidamente este manual para asegurarse de que sabe cómo operar las características y funciones que su nuevo aparato ofrece de forma segura.

CONTENIDO

GRACIAS POR SU CARTA	01
ESPECIFICACIONES	02
VISTA GENERAL DEL PRODUCTO	03
INSTALACIÓN DEL PRODUCTO	04
INSTRUCCIONES DE FUNCIONAMIENTO	11
LIMPIEZA Y MANTENIMIENTO	15
PROBLEMAS Y SOLUCIONES	17
APÉNDICE	19

ES

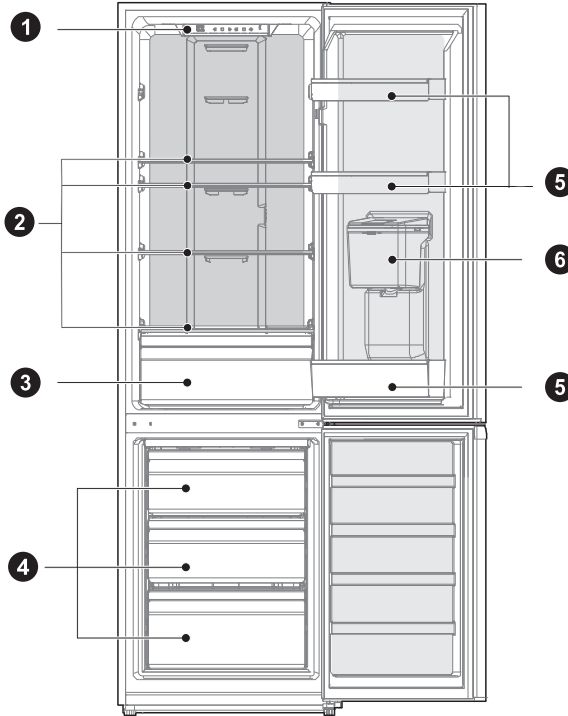
ESPECIFICACIONES

Modelo del producto	MDRB380FGE SERIES
Volumen del compartimento de almacenamiento de alimentos frescos	199L
Volumen de almacenamiento de alimentos congelados	71L
Tipo de descongelación	Descongelación automática
Tiempo de aumento de temperatura	7h
Capacidad de congelación	3.5kg/24h
Tensión nominal	220-240V-
Corriente nominal	0.6A
Dimensiones generales (A x A x D)	1800x545x625mm

ES

VISTA GENERAL DEL PRODUCTO

Nombres de los componentes



- | | | | |
|---|------------------------------|---|--------------------------------|
| 1 | Iluminación LED | 4 | Cajón |
| 2 | Repisa | 5 | Bandeja de la puerta |
| 3 | Cajón para frutas y verduras | 6 | Dispensador de agua (opcional) |

● ATENCIÓN

La imagen que aparece arriba tiene solo una finalidad de referencia. La configuración real dependerá del producto físico o declaración por parte del distribuidor.

INSTALACIÓN DEL PRODUCTO

Instrucciones de instalación

Para aparatos frigoríficos con clase climática

- Dependiendo de la clase climática, este aparato de refrigeración está diseñado para usarse dentro de los rangos de temperatura ambiente especificados en la siguiente tabla.
- La clase climática se puede encontrar en la placa de características. El producto podría no funcionar adecuadamente a temperaturas que no estén comprendidas en el rango especificado.
- Puede encontrar la clase de clima en la etiqueta del producto.

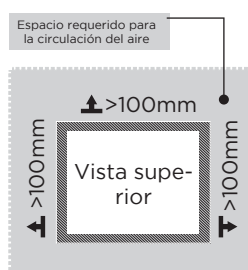
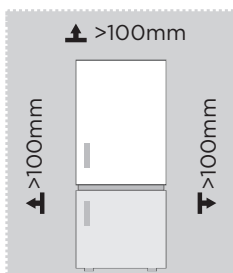
Rango de temperatura efectiva

- La nevera está diseñada para funcionar con normalidad dentro del rango de temperaturas especificado en su clasificación.

Clase	Símbolo	Alcance de temperatura ambiente °C	
		IEC 62552 (ISO 15502)	ISO 8561
Templada extendida	SN	+ 10 hasta + 32	+ 10 hasta + 32
Templada	N	+ 16 hasta + 32	+ 16 hasta + 32
Subtropical	ST	+ 16 hasta + 38	+ 18 hasta + 38
Tropical	T	+ 16 hasta + 43	+ 18 hasta + 43

Dimensiones y espacios libres

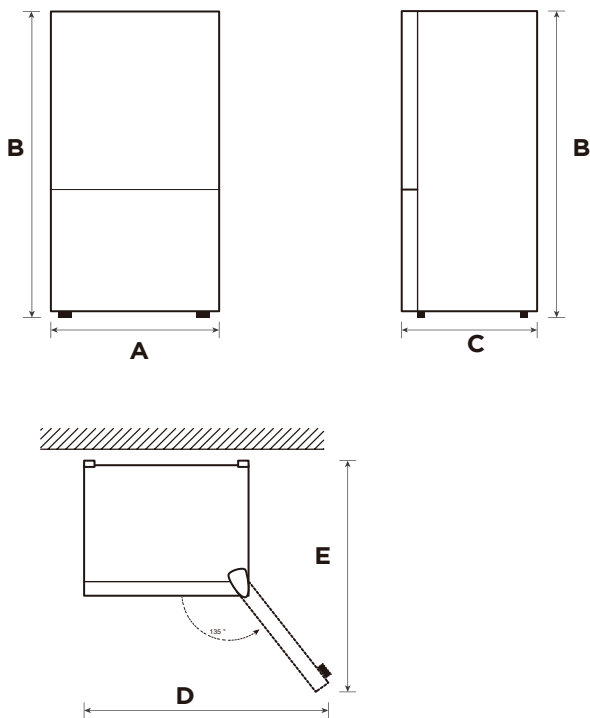
- Si es demasiado pequeño de una distancia desde elementos adyacentes se puede provocar la degradación de la capacidad de congelación y aumentar los costes de electricidad. Deje más de 100 mm de espacio libre desde cada pared adyacente cuando instale el aparato.



⚠ ATENCIÓN

La imagen que aparece arriba tiene solo una finalidad de referencia. La configuración real dependerá del producto físico o declaración por parte del distribuidor.

Diagrama de requerimientos de espacio (cuando la puerta esté abierta y cuando la puerta esté cerrada)



ES

Anchura	Altura general	Profundidad	Anchura con las puertas abiertas 3.40 m	Profundidad con las puertas abiertas 3.40 m
A	B	C	D	E
545	1800	625	820	1070

Aviso: Todas las dimensiones son en milímetros



Nivelado de los pies

Para evitar vibraciones, se debe nivelar la unidad.

Si es necesario, ajuste los tornillos de nivelación para compensar el suelo irregular.

La parte delantera debe ser ligeramente más alta que la trasera para ayudar al cierre de la puerta.

Los tornillos de nivelación pueden girarse con facilidad inclinando ligeramente el armario.

Gire en sentido antihorario los tornillos de nivelación  para subir la unidad y en sentido horario  para bajarla.

ES

Movimiento del aparato

1. Antes de mover el frigorífico, extraiga todos los objetos y retire el enchufe.
2. Fije las particiones de vidrio, el soporte del verduras, los cajones de la cámara de congelación, etc. con una cinta y apriete los pies de nivelación; cierre las puertas y séllelas con cinta.
3. Mueva el aparato usando dos o más personas y con cuidado. Durante el movimiento, el aparato no debe colocarse boca abajo u horizontalmente de forma excesiva o vibrar; la inclinación durante su movimiento no debe ser superior a 45°.
4. Tras instalar el aparato, conecte el enchufe a una toma de corriente y encienda el aparato.

ATENCIÓN

Precauciones antes del funcionamiento:

Antes de realizar cualquier modificación, debe desconectar el frigorífico de la corriente.

Se deben tomar precauciones para evitar cualquier lesión personal.

Colocación

- Antes de su uso, retire todos los materiales del embalaje, incluyendo almohadillas inferiores, almohadillas de espuma y cintas del interior del refrigerador; retire la película protectora de las puertas y de la carcasa del refrigerador.
- Manténgalo alejado del calor y evite la luz solar directa. No coloque el congelador en espacios húmedos o con agua para prevenir el óxido o la reducción del efecto de aislamiento.
- No pulverice o lave el refrigerador; no coloque el refrigerador en espacios húmedos donde sea fácil salpicarlo con agua para no afectar a las propiedades aislantes eléctricas del refrigerador.
- El refrigerador debe colocarse en un espacio interior bien ventilado; el piso debe ser plano y robusto (gírelo a la izquierda o derecha para ajustar las ruedas para nivelar si es inestable).

Cambio de puerta de derecha a izquierda (opcional)

Basándose en la ubicación donde piense usar el frigorífico, puede que encuentre más práctico invertir la posición de la puerta.

PRECAUCIÓN

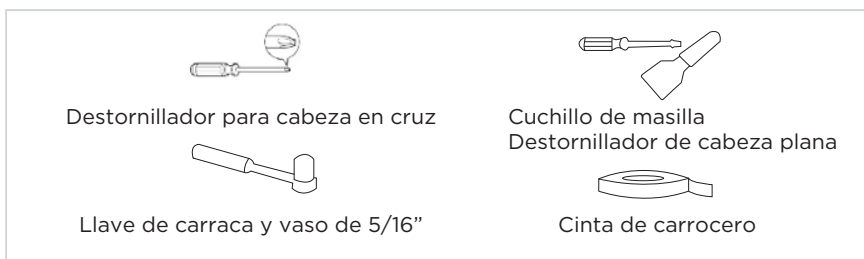
PRECAUCIÓN: Para evitar lesiones a usted mismo y su propiedad, recomendamos que alguien le ayude durante el proceso de inversión de puertas.

Preparación para invertir la posición de la puerta

Necesitará: un destornillador estándar, un destornillador de cabeza Phillips y la llave Allen que se adjunta.

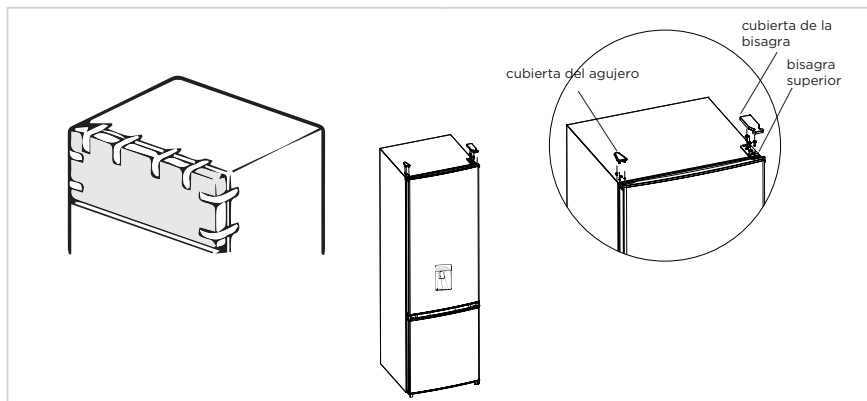
- Asegúrese de que el frigorífico está desconectado y vacío.
- Haga que alguien que esté disponible le ayude en el proceso
- Guarde todas las piezas que retire para reutilizarlas más tarde.

Herramientas necesarias para cambiar la puerta:

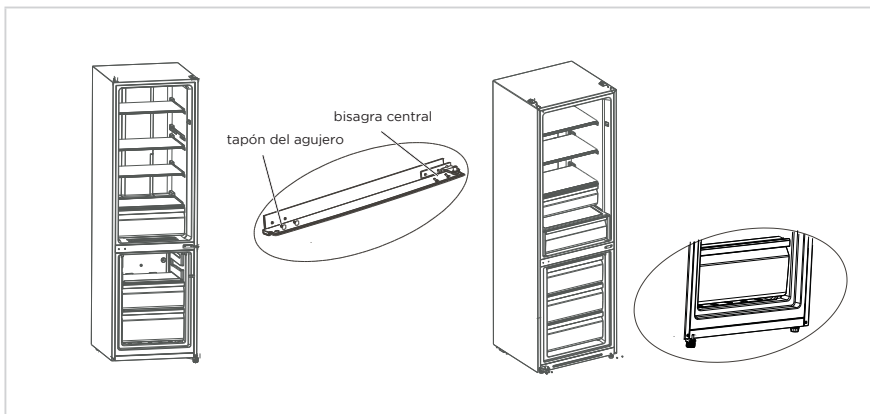


Paso

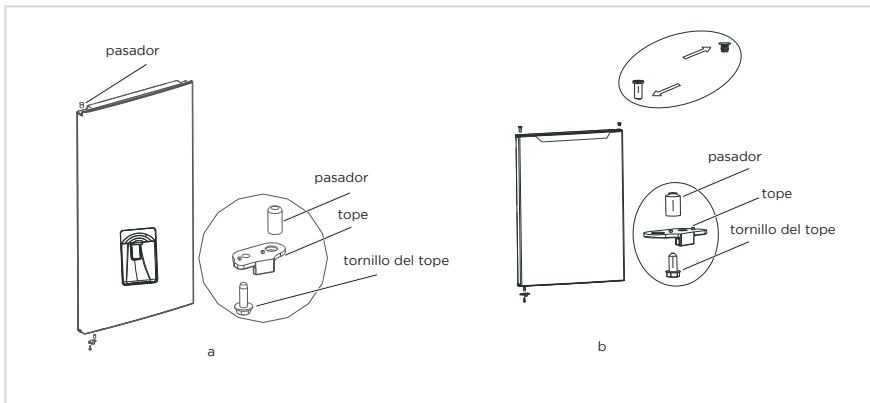
1. Apague el aparato antes de realizar esta operación. Retire todos los alimentos del revestimiento interior de la puerta. Cierre la puerta usando cinta adhesiva
2. Desmonte la cubierta del agujero, la cubierta del quicio y el quicio superior.



3. Retire la puerta de la cámara de congelación y el quicio medio (use una llave Allen para retirar el tornillo del quicio medio) y el tapón del agujero del otro lado.
4. Retire la puerta de la cámara de congelación; desmonte el quicio inferior, los tapones del agujero, los pies de nivelación; instale el quicio inferior en el otro lado.



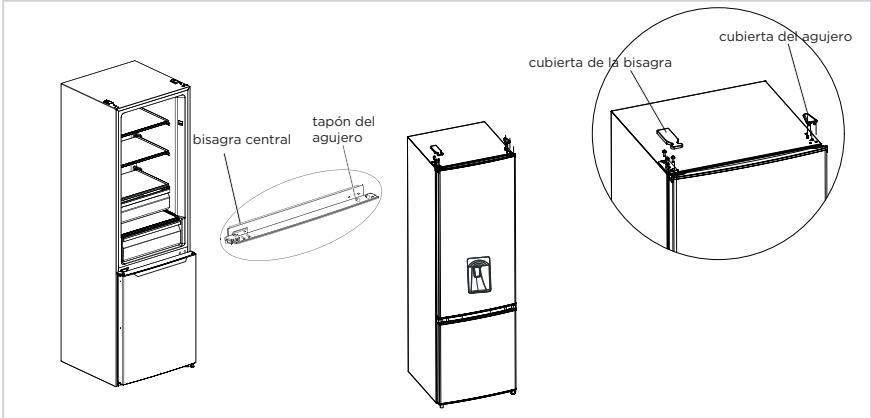
5. a) Desmonte el tope, el tubo del manguito de la puerta de la cámara de congelación; monte el tubo del manguito y el tope en la parte inferior izquierda de la puerta usando el tornillo.
- b) Desmonte el tope y el tubo del manguito de la parte derecha de la puerta de la cámara de congelación; monte el tubo del manguito y el tope en la parte inferior izquierda de la puerta usando el tornillo. Quite el tubo del manguito y los tapones del agujero de la puerta de la cámara de congelación y móntelos en el otro lado.



6. Coloque la puerta de congelación en el quicio inferior e instale el quicio medio y los tapones del agujero.
7. Coloque la puerta de la cámara de refrigeración en el quicio situado en medio e instale el quicio superior y la cubierta del quicio.

- Coloque la puerta de la cámara de refrigeración en el quicio situado en medio e instale el quicio superior y la cubierta del quicio.

Se debe confirmar lo siguiente antes de instalar la cubierta del quicio superior. Los tornillos que sujetan el quicio deben presionarse con fuerza contra la superficie del quicio para asegurarse de que el tornillo no se desvía. Una vez que se instala el quicio, asegúrese de que no hay vibraciones.



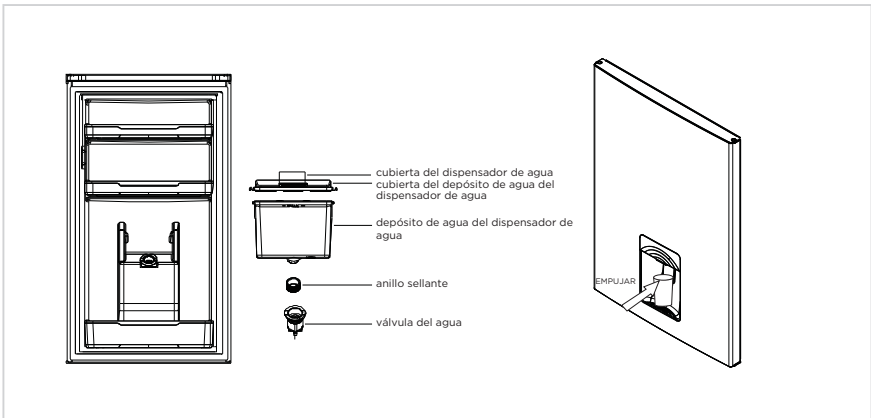
ES

⚠ ATENCIÓN

La imagen que aparece arriba tiene solo una finalidad de referencia. La configuración real dependerá del producto físico o declaración por parte del distribuidor.

Uso del dispensador de agua (opcional)

- Primero abra la cubierta de entrada de agua, llénela con agua potable hasta la marca "MAX" que es la cantidad máxima de agua.
- Use la copa para empujar el pestillo hacia el interior; el agua saldrá; cuando el pestillo vuelva a su posición original, el agua se detiene.
- Solo se puede usar el dispensador de agua para agua pura; no es apto para bebidas o zumos de frutas.



Cambio de lámparas

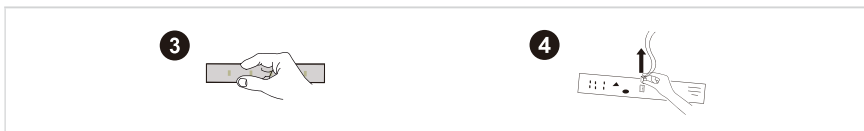
- Cualquier sustitución o mantenimiento de las bombillas LED está previsto que lo realice el fabricante, su agente de mantenimiento o una persona con una cualificación similar. Este producto contiene un fuente de iluminación con una clasificación de eficiencia energética <F>.

Paso

1. Desenchufe el aparato antes de retirar la lámpara.
2. Utilice un destornillador para retirar la pantalla de la lámpara.



3. Retire el panel de la lámpara.
4. Desconecte el terminal.



Conexión del aparato

Antes del primer inicio, mantenga el frigorífico quieto durante dos horas antes de conectarlo a la alimentación.

⚠ ATENCIÓN

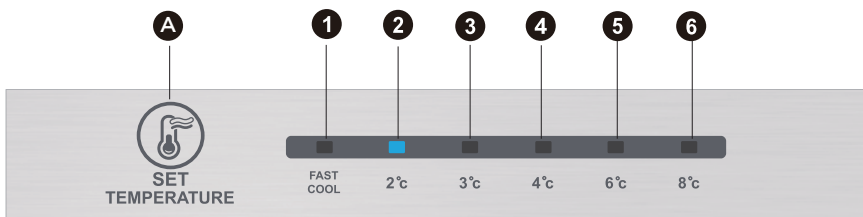
Antes de colocar cualquier alimento fresco o congelado, el frigorífico debe haber estado funcionando durante 2-3 horas, o más de 4 horas en verano cuando la temperatura ambiente es alta.

Consejos para el ahorro energético

- El aparato debe colocarse en la zona más fresca de la sala, alejado del calor que produzcan aparatos o conductos de calefacción y alejado de la luz solar directa.
- Deje que los alimentos calientes se enfríen a temperatura ambiente antes de colocarlos en el aparato. Sobrecargar el aparato fuerza al compresor a funcionar durante más tiempo. Los alimentos que se congelan muy lentamente pueden perder calidad o estropearse.
- Asegúrese de envolver adecuadamente los alimentos y seque los recipientes antes de colocarlos en el aparato. Esto reduce la acumulación de escarcha dentro del aparato.
- La cesta de almacenamiento del aparato no debe revestirse de papel de aluminio, papel de cera o toallitas de papel. Los revestimientos interfieren con la circulación del aire frío, haciendo que el aparato sea menos eficiente.
- Organice y etiquete los alimentos para reducir las aperturas de la puerta y búsquedas prolongadas. Retire tantos artículos como necesite de una vez y cierre la puerta a la mayor brevedad posible.

INSTRUCCIONES DE FUNCIONAMIENTO

Panel de control



ES

● ATENCIÓN

La imagen que aparece arriba tiene solo una finalidad de referencia. La configuración real dependerá del producto físico o declaración por parte del distribuidor.

Teclas

A Botón de alarma / apagado / encendido

Pantalla

1	configuración de temperatura 1
2	configuración de temperatura 2
3	configuración de temperatura 3
4	configuración de temperatura 4
5	configuración de temperatura 5
6	configuración de temperatura 6

Pantalla

Cuando se encienda el frigorífico, la pantalla (incluyendo la luz principal) brillará completamente durante 3 segundos; posteriormente, el frigorífico funciona conforme a la configuración de temperatura 4.

Pantalla de funcionamiento normal

En caso de que se produzca un fallo, la luz LED correspondiente mostrará una pantalla combinada del código de fallo (en la pantalla de reciclaje);

Cuando no haya ningún fallo, la luz LED mostrará la configuración de temperatura existente.

● ATENCIÓN

El panel de control real puede diferir de modelo a modelo.

Instrucciones de funcionamiento

Configuración de funcionamiento

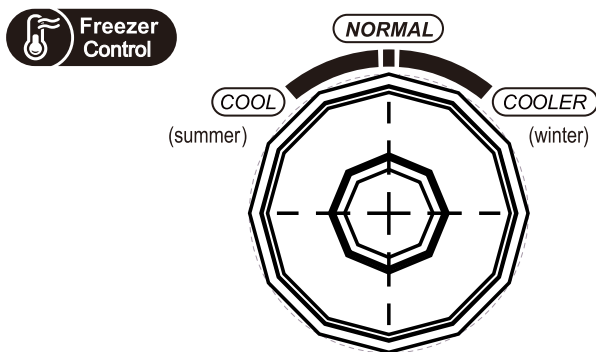
- Se cambiará la configuración de temperatura cada vez que pulse la tecla SET. Posteriormente el frigorífico funcionará bajo el nuevo valor de configuración después de 15 segundos. Configuración 1 → Configuración 2 → Configuración 3 → Configuración 4 → Configuración 5 → Configuración 6 → Configuración 1 →

Modo de refrigeración rápida:

- Entrar: Modo de refrigeración rápida con modulación de la circulación.
- Funcionamiento: el indicador de enfriamiento rápido se enciende y el frigorífico funciona a 2 °C.
- Modo de refrigeración rápida deshabilitado automáticamente durante 24H.
- La función de refrigeración rápida puede usarse como la función de super congelación.

Control de la temperatura de la cámara de congelación

- La temperatura de congelación es relativamente baja en la posición "COOLER", mientras que la temperatura de congelación es relativamente alta en la posición "COOL"; así, normalmente se usa la posición "NORMAL".
- En verano, cuando la temperatura ambiente es alta, se debe situar entre "NORMAL" y "COOL". Si la temperatura ambiente es superior a 35°C, entonces prevalecerá la posición "COOL".
- En invierno, cuando la temperatura ambiente es baja, se debe situar entre "NORMAL" y "COOLER". Si la temperatura ambiente es inferior a 10°C, la posición de "COOLER" prevalecerá.



Código de error

- Las siguientes advertencias que aparecen en la pantalla indican los fallos correspondientes del frigorífico.
- Aunque el frigorífico puede todavía disponer de la función de refrigeración y congelación con los siguientes fallos, el usuario debe ponerse en contacto con un especialista en mantenimiento para el mantenimiento para asegurar el uso normal del frigorífico.

Código de fallo	Descripción del fallo
El LED 1 y el LED 2 están encendidos	Circuito del sensor de temperatura del frigorífico
El LED 1 y el LED 3 están encendidos	Sensor de descongelación del congelador
El LED 1 y el LED 4 están encendidos	Sensor de temperatura ambiente

Cámara de refrigeración

- La cámara del frigorífico es apta para el almacenamiento de una variedad de frutas, verduras, bebidas y otros alimentos que se consuman a corto plazo; el tiempo de almacenamiento sugerido es de 3 a 5 días.
- No se deben colocar alimentos cocinados en la cámara del congelador hasta que no estén refrigerados a temperatura ambiente.
- Se recomienda que los alimentos se sellen antes de ponerlos en el congelador.
- Se pueden ajustar las estanterías puede ajustarse arriba o abajo para disponer de una cantidad razonable de espacio de almacenamiento y facilidad de uso.

Cámara de congelación

- La cámara de congelación de baja temperatura puede mantener los alimentos frescos durante mucho tiempo y se usa principalmente para guardar alimentos congelados y hacer hielo.
- La cámara de congelación es apta para guardar carne, pescado, bolas de arroz y otros alimentos que no van a consumirse a corto plazo.
- La carne debe dividirse preferentemente en trozos pequeños para que se congelen rápidamente y sean fáciles de coger. Tenga en cuenta que los alimentos deben consumirse dentro de su fecha de caducidad.

Pedido	TIPO de compartimentos	Temperatura objetivo de almacenamiento [°C]	Alimentos adecuados
1	Frigorífico	+2 - +8	Huevos, alimentos cocinados, alimentos envasados, frutas y verduras, productos lácteos, pasteles, bebidas y otros alimentos no aptos para su congelación.
2	(***)*-Congelador	≤-18	productos de pesca y productos cárnicos (recomendado durante 3 meses; cuanto mayor sea el tiempo de almacenamiento peor será el sabor y el valor nutricional), apto para alimentos frescos congelados.
3	***-Congelador	≤-18	productos de pesca y productos cárnicos (recomendado durante 3 meses; cuanto mayor sea el tiempo de almacenamiento peor será el sabor y el valor nutricional), apto para alimentos frescos congelados.
4	** -Congelador	≤-12	productos de pesca y productos cárnicos (recomendado durante 3 meses; cuanto mayor sea el tiempo de almacenamiento peor será el sabor y el valor nutricional), apto para alimentos frescos congelados.
5	*-Congelador	≤-6	productos de pesca y productos cárnicos (recomendado durante 3 meses; cuanto mayor sea el tiempo de almacenamiento peor será el sabor y el valor nutricional), apto para alimentos frescos congelados.
6	0 estrellas	-6 - 0	algunos alimentos procesados, etc. (Se recomienda comerlos el mismo día, preferentemente no más de 3 días). Alimentos procesados parcialmente envasados (alimentos no congelables).
7	Frío	-2 - +3	Cerdo fresco / congelado, ternera, pollo, productos de pesca frescos, etc. (7 días por debajo de 0°C y por encima de 0°C; se recomienda para su consumo en el mismo día, preferentemente no más de 2 días). Marisco (menos de 0 durante 15 días; no se recomienda guardar por encima de 0°C).
8	Alimentos frescos	0 - +4	etc. (Se recomienda comerlos en el mismo día, preferentemente no más de 3 días)
9	Vino	+5 - +20	Vino tinto, vino espumoso, etc.

● ATENCIÓN

guarde diferentes alimentos conforme a los compartimentos o la temperatura de almacenamiento objetivo de su compra.

LIMPIEZA Y MANTENIMIENTO

Limpieza general

- El polvo detrás del refrigerador y del suelo debe limpiarse rápidamente para mejorar el efecto de refrigeración y el ahorro energético.
- Compruebe regularmente la cesta de la puerta para asegurarse de que no haya residuos. Limpie la cesta de la puerta con un paño suave humedecido con agua jabonosa o detergente diluido.
- El interior del refrigerador debe limpiarse regularmente para evitar los malos olores.
- Apague la alimentación antes de limpiar el interior, retire todos los alimentos, bebidas, estanterías, cajones, etc.
- Use un paño suave o esponja para limpiar el interior del refrigerador, con dos cucharadas de bicarbonato sódico y un cuarto de agua caliente. Posteriormente aclárelo con agua y séquelo. Tras la limpieza, abra la puerta y déjelo secar de forma natural antes de encender la alimentación.
- Para aquellas áreas que son difíciles de limpiar en el frigorífico (como espacios, esquinas y paredes estrechas), se recomienda limpiarlas regularmente con un paño suave, un cepillo suave, etc. y cuando sea necesario, combinarlo con algunas herramientas auxiliares (como palos delgados) para asegurarse de que no hay acumulación de contaminantes o bacterias en estas áreas.
- No use jabón, detergente, polvo para fregar, limpiadores en spray, etc., ya que estos pueden causar malos olores en el interior del refrigerador o contaminar los alimentos.
- Limpie el botellero, estanterías y cajones con un paño suave humedecido con agua jabonosa o detergente diluido. Séquelo con un paño suave o séquelo de forma natural.
- Limpie la superficie exterior del refrigerador con un paño suave humedecido con agua jabonosa, detergente, etc. y después séquelo.
- No use cepillos duros, estropajos de acero, estropajos de alambre, productos abrasivos (como pasta de dientes) disolventes orgánicos (como acetona, alcohol, aceite de plátano, etc.), agua hirviendo, artículos ácidos o alcalinos que pueden dañar la superficie y el interior del refrigerador. El agua hirviendo y los disolventes orgánicos como el benceno pueden deformar o dañar las piezas de plástico.
- No lo aclare directamente con agua u otros líquidos durante la limpieza para evitar cortocircuitos o que afecte al aislamiento eléctrico tras la inmersión.

ATENCIÓN

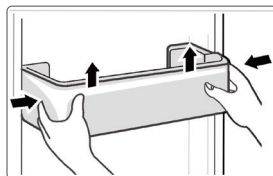
Desenchufe el frigorífico para la descongelación y la limpieza.

Descongelación

- El frigorífico está fabricado de acuerdo al principio de refrigeración del aire y, por tanto, cuenta con una función de descongelación automática. El hielo formado debido al cambio de estación o temperatura asimismo puede retirarse manualmente mediante la desconexión del aparato de la alimentación o limpiándolo con una toalla seca.

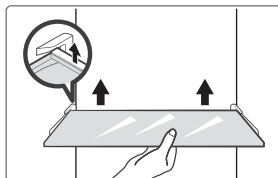
Limpieza de la bandeja de la puerta

- Según la flecha de dirección de la figura que aparece debajo, use ambas manos para apretar la bandeja, empujarla hacia arriba y después puede extraerla.
- Tras lavar la bandeja que se ha extraído, puede ajustar su altura de instalación conforme a sus necesidades.



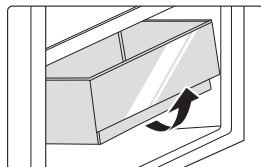
Limpieza de la estantería de vidrio

- Como la parte más interna del revestimiento del refrigerador donde entran en contacto las estanterías dispone de un tope, debe elevar las estanterías y después podrá extraerlas.
- Ajuste o limpie las estanterías según sus necesidades.



Limpieza del cajón de las verduras

1. Retire los contenidos del cajón. Sujete el asa del cajón de las verduras y extraígalo completamente hasta que se detenga.
2. Levante hacia arriba el cajón de las verduras y retírelo extrayéndolo.



Sin funcionamiento

Fallo de alimentación:

En caso de un fallo de alimentación, incluso en verano, los alimentos en el interior del aparato pueden mantenerse durante varias horas; durante un fallo de alimentación, se debe reducir las veces que se abre la puerta y no se deben colocar más alimentos frescos en el aparato.

Ausencia de uso prolongada:

El aparato debe desenchufarse y después limpiarse; posteriormente, las puertas se dejan abiertas para evitar los malos olores.

Traslado:

Antes de mover el refrigerador, extraiga todos los objetos al exterior, fije las partes de cristal, el soporte de las verduras, los cajones de la cámara de congelación, etc. con cinta y apriete los pies de equilibrado; cierre las puertas y fíjelas con cinta. Durante el traslado, no se debe colocar el aparato al revés u horizontalmente o hacer que vibre; la inclinación durante el movimiento no será superior a 45°.

● ATENCIÓN

EL aparato debe funcionar de forma continua una vez que se enciende. En general, el funcionamiento del aparato no debe interrumpirse; el caso contrario, se puede ver alterada su vida útil.

PROBLEMAS Y SOLUCIONES

El usuario puede ocuparse de los siguientes problemas simples. Llame al servicio posventa si no se solucionan los problemas.

Problema	Posible motivo
Fallo en el funcionamiento	• Compruebe si el aparato está conectado a la alimentación I si el enchufe tiene bien los contactos.
	• Compruebe si la tensión es demasiado baja.
	• Compruebe si hay un fallo de corriente o han saltado los circuitos parciales.
Mal olor	• Se deben envolver bien los alimentos que produzcan mal olor.
	• Compruebe si hay alimentos podridos.
	• Limpie el interior del refrigerador.
Funcionamiento durante mucho tiempo del compresor	• El funcionamiento durante mucho tiempo del frigorífico es normal en verano
	• cuando la temperatura ambiente es alta, no se sugiere tener muchos alimentos en el aparato al mismo tiempo
	• Se deben enfriar los alimentos antes de empezar a ponerlos en el aparato.
	• Las puertas se abren con demasiada frecuencia.
La luz no se enciende.	• Compruebe si el refrigerador está conectado a la alimentación y si la luz que se debe iluminar presenta daños.
	• Recorra a un técnico calificado para cambiar la lámpara.
La puerta no se puede cerrar debidamente	• La puerta está atascada por paquetes de alimentos. Se han colocado demasiados alimentos
	• El frigorífico está inclinado.
Ruidos altos	• Compruebe si el suelo está nivelado y si el refrigerador está colocado de forma estable.
	• Compruebe si los accesorios están colocados en las ubicaciones adecuadas

ES

Problema	Posible motivo
El sello de la puerta no está estanco	<ul style="list-style-type: none"> • Retire materiales extraños del sello de la puerta • Caliente el sello de la puerta y después refrigérela para restaurarlo (o soplelo con un secador eléctrico o use una toalla caliente para calentarlo)
La bandeja de agua se desborda.	<ul style="list-style-type: none"> • Hay demasiados alimentos en la cámara o los alimentos almacenados contienen demasiada agua, lo que provoca una grave descongelación • Las puertas no están cerradas debidamente lo que provocará hielo debido a la entrada de aire y al aumento de agua debido a la descongelación
Carcasa caliente	<ul style="list-style-type: none"> • Disipación del calor del condensador integrado mediante la carcasa, que es normal cuando la carcasa se calienta debido a una temperatura ambiente elevada, o el almacenamiento de demasiado alimentos o si se cierra del compresor y proporciona una buena ventilación para facilitar la disipación del calor
Condensación de la superficie	<ul style="list-style-type: none"> • La condensación de la superficie exterior y los sellos de la puerta del refrigerador es normal cuando la humedad ambiente es demasiado alta. Simplemente limpie la condensación con una toallita limpia.
Ruido anormal	<ul style="list-style-type: none"> • Pitido: El compresor puede producir pitidos durante el funcionamiento y los pitidos son altos en especial durante el inicio y la parada. Esto es normal. • Crujido: El refrigerante que fluye por el interior del aparato puede producir crujidos, lo que es normal.

ES

APÉNDICE

Especial para el nuevo estándar europeo

Las piezas pedidas que se incluyen en la siguiente tabla se pueden adquirir en la red de proveedores de servicios.

Pieza pedida	Proporcionada por	Tiempo mínimo hasta el suministro
Termostatos	Personal profesional de mantenimiento	Al menos 7 años después de que se haya lanzado al mercado el último modelo
Sensor de temperatura	Personal profesional de mantenimiento	Al menos 7 años después de que se haya lanzado al mercado el último modelo
Placa de circuito impreso	Personal profesional de mantenimiento	Al menos 7 años después de que se haya lanzado al mercado el último modelo
Fuente de luz	Personal profesional de mantenimiento	Al menos 7 años después de que se haya lanzado al mercado el último modelo
Pomo de la puerta	Reparadores profesionales y usuarios finales	Al menos 7 años después de que se haya lanzado al mercado el último modelo
Bisagras de las puertas	Reparadores profesionales y usuarios finales	Al menos 7 años después de que se haya lanzado al mercado el último modelo
Bandejas	Reparadores profesionales y usuarios finales	Al menos 7 años después de que se haya lanzado al mercado el último modelo
Cestas	Reparadores profesionales y usuarios finales	Al menos 7 años después de que se haya lanzado al mercado el último modelo
Juntas de puertas	Reparadores profesionales y usuarios finales	Al menos 10 años después de que se haya lanzado al mercado el último modelo

ES

Estimado cliente

1. Si desea devolver o sustituir el producto, póngase en contacto con el establecimiento donde lo compró.
(Recuerde traer la factura de compra)
2. Si el producto se avería y necesita reparación, póngase en contacto con el proveedor de servicios pos-venta.

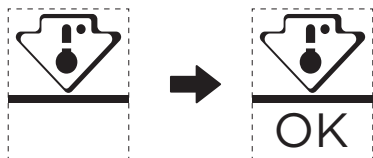
ATENCIÓN

La información sobre el modelo incluida en la base de datos de productos, así como el identificador del modelo, se pueden obtener por un enlace al que se accede escaneando un código QR, de haberlo, en la etiqueta de eficiencia energética del producto. Para obtener más información sobre la eficiencia energética del aparato, visite la página web <https://ec.europa.eu> y búsquelo usando el nombre del modelo. El nombre del modelo puede encontrarse en la etiqueta identificativa del aparato.

Zona más fría del frigorífico

OPCIONAL: Indicador OK de temperatura

- El indicador OK de temperatura puede usarse para determinar temperaturas inferiores a +4°C. Gradualmente, reduzca la temperatura si el signo no indica "OK".



- Para garantizar la temperatura de esta zona, no cambie el estante de posición. En frigoríficos de aire forzado, (equipados con un ventilador o modelos No Frost), el símbolo de la zona más fría no se representa porque la temperatura en el interior es homogénea.

Configuración del indicador de temperatura

- Para facilitar la correcta configuración del frigorífico, este está equipado con un indicador de temperatura que controlará la temperatura media en la zona más fría.
- ADVERTENCIA: este indicador tiene como finalidad funcionar solo con su frigorífico; no lo use en ningún otro frigorífico (de hecho, la zona más fría no es la misma) o para cualquier otro uso.

Comprobación de la temperatura en la zona más fría

- Con el indicador de temperatura, puede comprobar regularmente que la temperatura de la zona más fría es correcta. De hecho, la temperatura interna del frigorífico depende de varios factores como la temperatura ambiente de la sala, la cantidad de alimentos guardados y la frecuencia de la apertura de la puerta. Tenga en cuenta estos factores cuando configure el aparato.
- Cuando el indicador muestra «OK», el termostato está bien ajustado y la temperatura interna es correcta.
- Si el indicador de temperatura aparece BLANCO, la temperatura es demasiado alta; en este caso, suba la configuración del control de temperatura del frigorífico y espere 12 horas antes de llevar a cabo una nueva inspección visual del indicador. Cuando se introduce comida fresca o se deja la puerta abierta, es posible que el indicador de temperatura aparezca BLANCO al poco tiempo.

NOTA DE AGRADECIMENTO

Muito obrigado por escolher Midea! Antes de utilizar o seu novo produto Midea, leia este manual atentamente para garantir que sabe utilizar as funcionalidades e funções disponibilizadas pelo seu novo aparelho em segurança.

CONTEÚDO

NOTA DE AGRADECIMENTO	01
ESPECIFICAÇÕES	02
APRESENTAÇÃO DO PRODUTO	03
INSTALAÇÃO DO PRODUTO	04
INSTRUÇÕES DE OPERAÇÃO	11
LIMPEZA E MANUTENÇÃO	15
RESOLUÇÃO DE PROBLEMAS	17
APÊNDICE	19

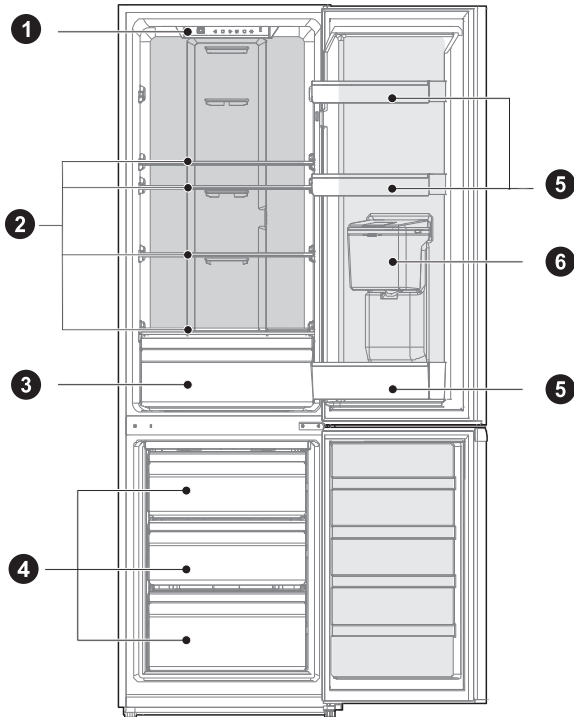
ESPECIFICAÇÕES

Modelo do produto	MDRB380FGE SERIES
Volume do compartimento de armazenamento de alimentos frescos	199 L
Volume do armazenamento de alimentos congelados	71 L
Tipo de Descongelação	Descongelação automática
Tempo de Aumento de Temperatura	7 h
Capacidade de Congelação	3,5 kg/24h
Tensão Nominal	220-240 V-
Corrente Nominal	0.6 A
Dimensão Total (A x L x P)	1800x545x625mm

PT

APRESENTAÇÃO DO PRODUTO

Nome dos componentes



- | | | | |
|----------|---------------------------|----------|--------------------------------|
| 1 | Luz LED | 4 | Gaveta |
| 2 | Prateleira | 5 | Bandejas da porta |
| 3 | Caixa de frutas e legumes | 6 | Dispensador de água (opcional) |

ATENÇÃO

A imagem acima é apenas para referência. A configuração real dependerá do produto físico ou da declaração do distribuidor.

INSTALAÇÃO DO PRODUTO

Instruções de instalação

Para aparelhos de refrigeração com classe climática

- Dependendo da classe climática, este aparelho frigorífico destina-se a ser utilizado nos intervalos de temperatura ambiente, tal como especificado na tabela seguinte.
- A classe climática pode ser encontrada na placa de classificação. O produto pode não funcionar corretamente a temperaturas fora do intervalo especificado.
- Pode encontrar a classe climática na etiqueta do produto.

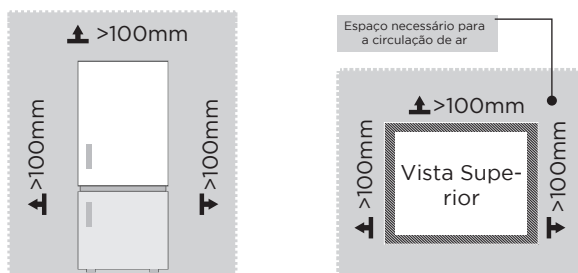
Intervalo efetivo de temperaturas

- O produto é concebido para funcionar normalmente no intervalo de temperaturas especificado pela sua classificação de classe.

Classe	Símbolo	Limite de temperatura ambiente °C	
		IEC 62552 (ISO 15502)	ISO 8561
Temperatura alargada	SN	+10 a +32	+10 a +32
Temperado	N	+16 a +32	+16 a +32
Subtropical	ST	+16 a +38	+18 a +38
Tropical	T	+16 a +43	+18 a +43

Dimensões e espaços

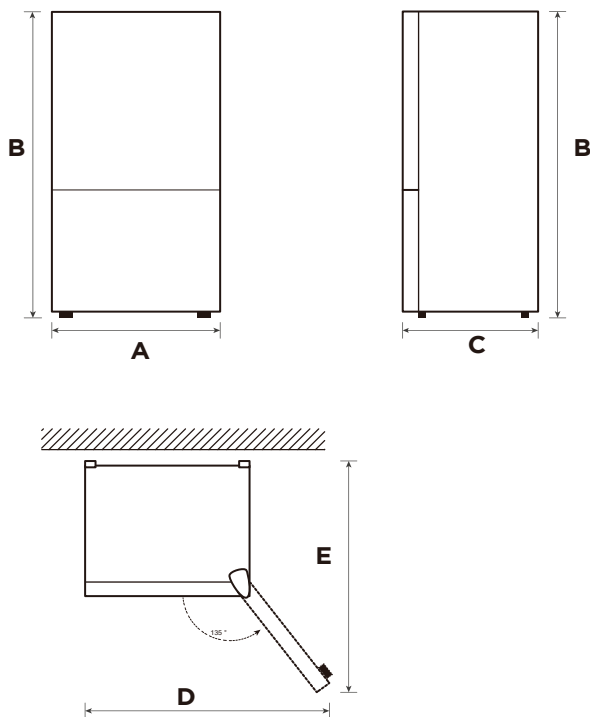
- Uma distância demasiado pequena de itens adjacentes pode resultar na degradação da capacidade de congelação e no aumento dos custos de eletricidade. Permita mais de 100 mm de espaço livre de cada parede adjacente ao instalar o aparelho.



⚠️ ATENÇÃO

A imagem acima é apenas para referência. A configuração real dependerá do produto físico ou da declaração do distribuidor.

Diagrama do espaço necessário (com a porta aberta e com a porta fechada)



PT

Largura	Altura total	Profundidade	Largura com portas abertas 135°	Profundidade com portas abertas 135°
A	B	C	D	E
545	1800	625	820	1070

Observação: Todas as dimensões encontram-se em mm



Pé de nivelamento

Para evitar vibração, a unidade deve estar nivelada.

Se necessário, ajuste os parafusos de nivelamento para compensar o chão desnivelado.

A frente deve estar ligeiramente mais alta que a traseira para ajudar no fechamento da porta.

Os parafusos de nivelamento podem ser rodados facilmente inclinando ligeiramente a unidade.

Rode os parafusos de nivelamento no sentido contrário ao dos ponteiros do relógio  para elevar a unidade e no sentido dos ponteiros do relógio  para os baixar.

PT

Mover o aparelho

1. Antes de mover o frigorífico, retire todos os objetos no interior e puxe a ficha de alimentação da tomada.
2. Prenda as divisórias de vidro, a gaveta dos frescos, as gavetas da câmara de congelação etc. com fita adesiva, e aperte os pés de nivelamento, feche as portas e sela-as com fita adesiva.
3. Desloque o aparelho com mais de duas pessoas com cuidado. Ao mover, o aparelho não deve ser virado ao contrário, deitado horizontalmente ou sofrer vibrações; a inclinação durante o deslocamento não deve ser superior a 45°.
4. Após a instalação do aparelho, ligue a ficha de alimentação a uma tomada para ligar o aparelho.

ATENÇÃO

Precauções antes da operação:

Antes de fazer alterações, o frigorífico deve ser desligado da corrente. devem ser tomadas precauções para evitar qualquer lesão pessoal.

Posicionamento

- Antes da utilização, remova todos os materiais de embalagem, incluindo as almofadas do fundo, as espumas e as fitas no interior do frigorífico; rasgue a película de proteção das portas e do corpo do frigorífico.
- Manter o aparelho afastado do calor e da luz solar direta. Não colocar o congelador em locais húmidos ou com água para evitar o enferrujamento ou a redução do efeito de isolamento.
- Não pulverize nem molhe o frigorífico, não coloque o frigorífico em locais húmidos, onde possa ser salpicado com água, de modo a não afetar as propriedades do isolamento elétrico do frigorífico.
- O frigorífico deve ser colocado num local interior bem ventilado, o piso deve ser plano e resistente (rode a roda para a esquerda ou para a direita para nivelar, se instável).

Alteração do lado da porta (esquerdo/direito) (Opcional)

Com base no local onde planeia utilizar o seu frigorífico, poderá achar mais conveniente inverter a posição da porta.

CUIDADO

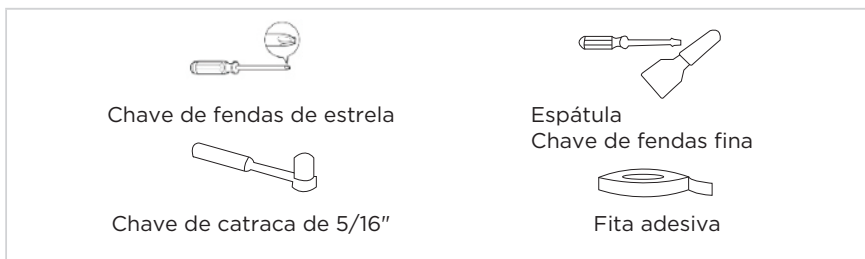
CUIDADO: Para evitar ferimentos a si próprio ou aos seus bens, recomendamos que alguém o ajude durante o processo de inversão de portas.

Preparar para inverter a posição da porta

Vai precisar de: Uma chave de parafusos padrão, uma chave de parafusos Phillips, e a chave Allen incluída.

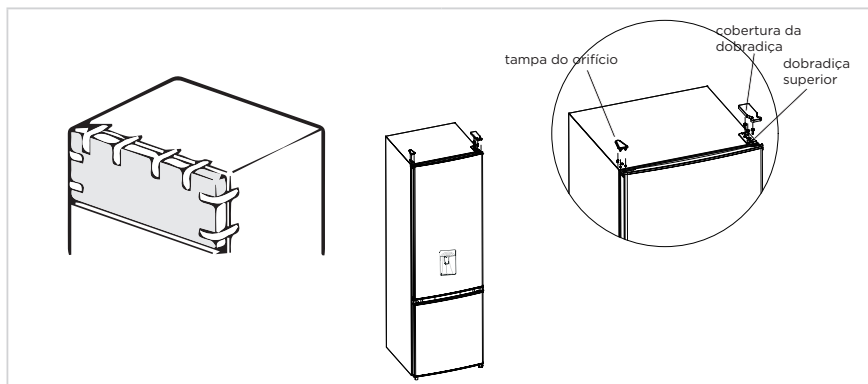
- Certifique-se de que o seu frigorífico está desligado da tomada e vazio.
- Tenha alguém disponível para o assistir no processo.
- Guarde todas as peças que remover para as reutilizar mais tarde.

Ferramentas necessárias para a inversão da porta:

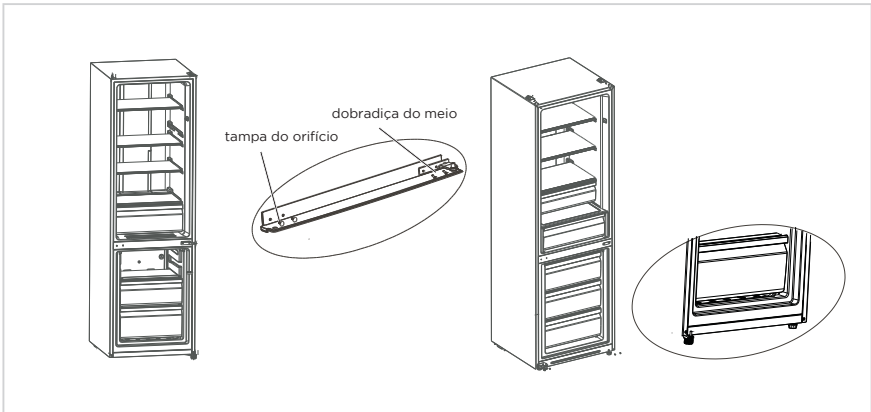


Passo

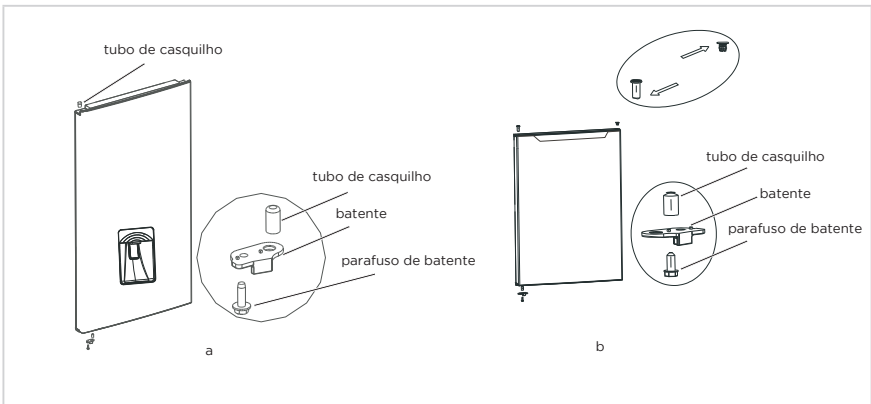
1. Por favor, desligue este aparelho, antes de realizar esta operação. Retirar todos os alimentos da prateleira interior da porta. Fechar a porta com fita adesiva.
2. Desmontar a tampa do orifício, a tampa da dobradiça e a dobradiça superior.



3. Tirar a porta da câmara frigorífica, a dobradiça central (usar uma chave Allen para remover o parafuso da dobradiça central) e a tampa do orifício do outro lado.
4. Retirar a porta da câmara de congelação, desmontar a dobradiça inferior, as tampas dos orifícios, o pé nivelador, instalar a dobradiça inferior do outro lado.



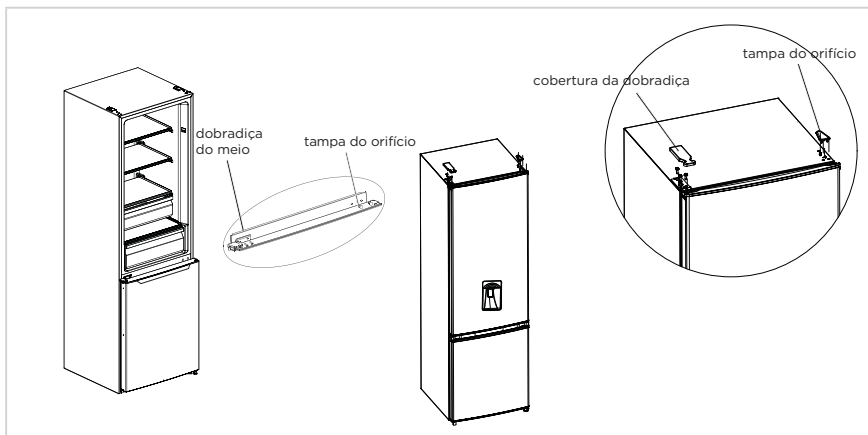
5. a) Desmontar a rolha, tubo da manga da porta da câmara frigorífica, montar o tubo da manga e a rolha na parte inferior esquerda da porta com parafuso. b) Desmontar a rolha e o tubo da manga da direita da porta da câmara frigorífica, montar o tubo da manga e a rolha na parte inferior esquerda da porta com parafuso. Retirar o tubo da manga e as tampas dos orifícios na porta da câmara de congelação e montá-la do outro lado.



6. Colocar a porta da câmara de congelação na dobradiça inferior e instalar as tampas do meio e dos orifícios.
7. Colocar a porta da câmara frigorífica na dobradiça do meio e instalar a dobradiça superior e a tampa da dobradiça.

8. Colocar a porta da câmara frigorífica na dobradiça do meio e instalar a dobradiça superior e a tampa da dobradiça.

O seguinte deve ser confirmado antes da instalação da tampa da dobradiça superior. Os parafusos que seguram a dobradiça devem ser apertados firmemente contra a superfície da dobradiça para garantir que o parafuso não fica desviado. Após a instalação da dobradiça, certifique-se de que não há movimento.

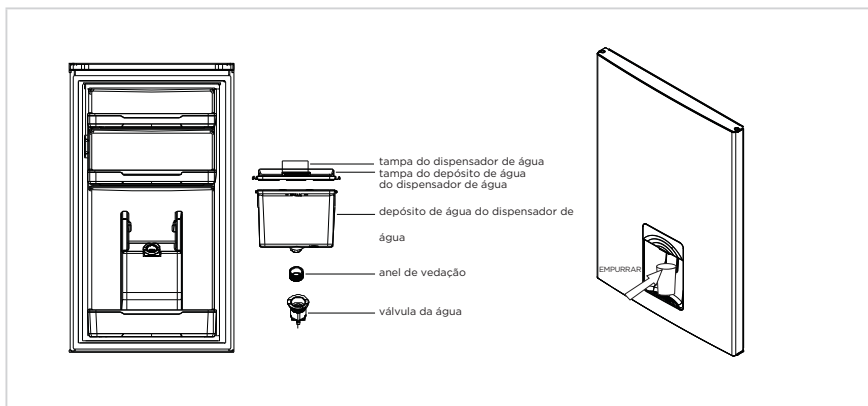


● ATENÇÃO

A imagem acima é apenas para referência. A configuração real dependerá do produto físico ou da declaração do distribuidor.

Utilização do dispensador de água (opcional)

1. Primeiro, abra a tampa da entrada de água, encha com água potável até "MAX", indicando a quantidade máxima de água.
2. Use o copo para empurrar o gatilho para dentro, a água irá sair, quando o gatilho voltar à posição original, a água para.
3. O dispensador de água só pode ser utilizado para água potável limpa, não apropriada para bebidas ou sumos de fruta.

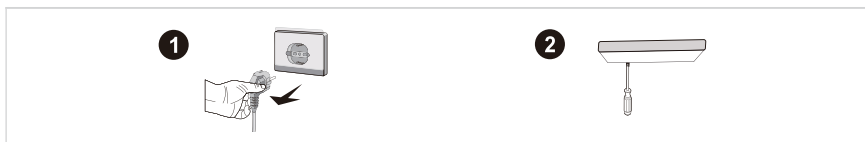


Substituir a luz

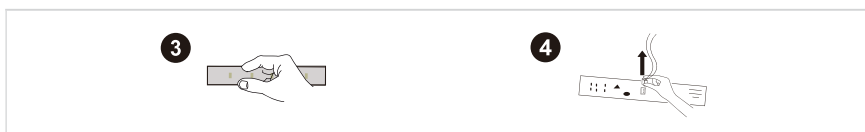
- A substituição ou a manutenção das lâmpadas LED destinam-se a ser realizadas pelo fabricante, o seu agente de assistência técnica ou um profissional igualmente qualificado. Este produto contém uma fonte de iluminação com a classe de eficiência energética <F>.

Passo

1. Retire a ficha da tomada elétrica antes da remoção
2. Remova a cobertura com uma chave de fendas.



3. Retire o painel da lâmpada.
4. Retire o terminal de ligação.



Ligar o aparelho

Antes do arranque inicial, mantenha o frigorífico imobilizado durante duas horas antes de ligá-lo à corrente.

● ATENÇÃO

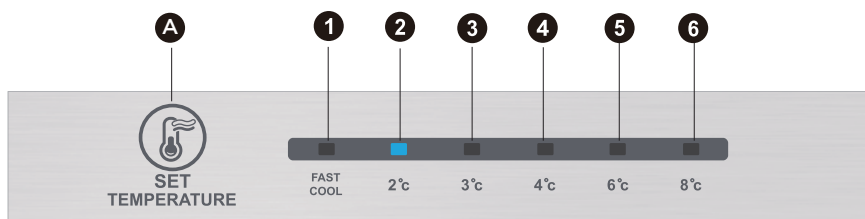
Antes de colocar alimentos frescos ou congelados, o frigorífico deve funcionar vazio durante 2-3 horas, ou mais de 4 horas no verão, quando a temperatura ambiente é mais alta.

Sugestões para poupança energética

- O aparelho deve ser colocado na área mais fresca da divisão, longe de aparelhos que produzam calor, de condutas de aquecimento e da luz solar direta.
- Deixar os alimentos quentes arrefecerem à temperatura ambiente antes de os colocar no aparelho. Sobrecarregar o aparelho força o compressor a trabalhar durante mais tempo. Os alimentos que congelam muito lentamente podem perder qualidade ou estragar-se.
- Certifique-se de embrulhar correctamente os alimentos, e de limpar os recipientes antes de os colocar no aparelho, reduzindo assim a acumulação de gelo no interior do aparelho.
- O recipiente de armazenamento não deve ser forrado com folha de alumínio, papel de cera ou papel de cozinha. Os revestimentos interferem com a circulação do ar, tornando o aparelho menos eficiente.
- Organizar e rotular os alimentos para reduzir as aberturas da porta e as procuras prolongadas. Retirar o maior número de artigos de uma só vez e fechar a porta o mais rápido possível.

INSTRUÇÕES DE OPERAÇÃO

Painel de controlo



● ATENÇÃO

A imagem acima é apenas para referência. A configuração real dependerá do produto físico ou da declaração do distribuidor.

PT

Principal

A Botão de alarme/ligar/desligar

Visor

1	definição da temperatura 1
2	definição da temperatura 2
3	definição da temperatura 3
4	definição da temperatura 4
5	definição da temperatura 5
6	definição da temperatura 6

Visor

Quando ligar o frigorífico, o visor (incluindo a luz principal) brilhará fixamente, durante 3 s e, em seguida, o frigorífico funciona de acordo com a definição de temperatura 4.

Indicação de funcionamento normal

Na ocorrência de alguma falha, a luz LED correspondente apresenta uma indicação combinada do código de falha (no visor de reciclagem);

Se não houver falha, a luz LED mostrará a definição de temperatura existente.

● ATENÇÃO

O painel de controlo real poderá ser diferente consoante o modelo.

Instruções de operação

Ajuste das funções

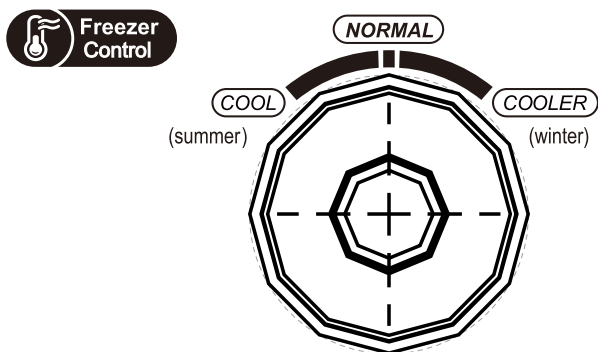
- A definição da temperatura será alterada uma vez a cada pressão da tecla SET. Em seguida, o frigorífico funcionará de acordo com a nova definição após 15 s. Definição 1 → Definição 2 → Definição 3 → Definição 4 → Definição 5 → Definição 6 → Definição 1 →

Modo de refrigeração rápida:

- Introduzir: Modo de modulação circulatória de arrefecimento rápido.
- Operar: O indicador de arrefecimento rápido acende, e o frigorífico funciona a 2°C.
- O modo de refrigeração rápida é desativado automaticamente durante 24H.
- A função de refrigeração rápida pode ser usada como função de super congelamento.

Controlo da temperatura da câmara de congelação

- A temperatura de congelação é relativamente baixa na posição "COOLER", enquanto que na posição "COOL", a temperatura de congelação é relativamente alta. Por isso, a posição "NORMAL" é a utilizada normalmente.
- Quando a temperatura ambiente é elevada no Verão, a temperatura deve estar no intervalo de "NORMAL" a "COOL". Se a temperatura ambiente for superior a 35 °C, então a posição "COOL" prevalecerá.
- Quando a temperatura ambiente é baixa no Inverno, a temperatura deve estar no intervalo de "NORMAL" a "COOLER". Se a temperatura ambiente for inferior a 10 °C, então a posição "COOLER" prevalecerá.



Código de erro

- Os seguintes avisos que aparecem no visor indicam avarias correspondentes do frigorífico.
- Embora o frigorífico ainda possa ter funções de refrigeração e congelação com as seguintes falhas, o utilizador deve contactar um técnico especialista em manutenção, de modo a assegurar a utilização normal do frigorífico.

Código da Anomalia	Descrição da avaria
O LED 1 e LED 2 acesos	Circuito do sensor de temperatura do frigorífico
O LED 1 e LED 3 acesos	Sensor de descongelamento do congelador
O LED 1 e o LED 4 acesos	Sensor de temperatura ambiente

Câmara frigorífica

- A câmara frigorífica é adequada para o armazenamento várias frutas, legumes, bebidas e outros alimentos consumidos a curto prazo, tempo de armazenamento sugerido de 3 a 5 dias.
- Os alimentos cozinhados não devem ser colocados na câmara de refrigeração até estarem à temperatura ambiente.
- É recomendado selar os alimentos antes de colocá-los no frigorífico.
- As prateleiras de vidro podem ser ajustadas para cima ou para baixo para ter uma quantidade razoável de espaço de armazenamento e facilitar a utilização.

Câmara de congelação

- A baixa temperatura da câmara de congelamento pode manter os alimentos frescos por mais tempo e é utilizada principalmente para armazenar alimentos congelados e fazer gelo.
- A câmara de congelamento é adequada para o armazenamento de carne, peixe, bolas de arroz e outros alimentos que não serão consumidos a curto prazo.
- Os pedaços de carne devem ser divididos, preferencialmente, em pequenos pedaços para congelação rápida e acesso fácil. Ter em atenção que os alimentos devem ser consumidos dentro da validade.

Ordem	TIPO dos compartimentos	Temperatura de armazenamento [°C]	Alimentos apropriados
1	Frigorífico	+2 - +8	Ovos, alimentos cozinhados, alimentos embalados, fruta, vegetais, laticínios, bolos, bebidas e outros alimentos não devem ser congelados.
2	(***)*-Congelador	≤-18	produtos de água fresca e carne (recomendado durante 3 meses, quanto maior o tempo de armazenamento, pior será o sabor e a nutrição), adequado a alimentos congelados.
3	***-Congelador	≤-18	produtos de água fresca e carne (recomendado durante 3 meses, quanto maior o tempo de armazenamento, pior será o sabor e a nutrição), adequado a alimentos congelados.
4	** -Congelador	≤-12	produtos de água fresca e carne (recomendado durante 3 meses, quanto maior o tempo de armazenamento, pior será o sabor e a nutrição), adequado a alimentos congelados.
5	*-Congelador	≤-6	produtos de água fresca e carne (recomendado durante 3 meses, quanto maior o tempo de armazenamento, pior será o sabor e a nutrição), adequado a alimentos congelados.
6	0 estrelas	-6 - 0	alguns alimentos processados, etc. (Recomendado a consumo no mesmo dia ou dentro de não mais de 3 dias). Alimentos processados parcialmente embalados (alimentos que não podem ser congelados).
7	Refrigeração	-2 - +3	Carne de porco, vaca, galinha, peixe de água doce congelados/frescos, etc. (7 dias abaixo de 0 °C e acima de 0 °C recomendados para consumo no mesmo dia ou dentro de não mais de 2 dias). Peixe e marisco (abaixo de 0 °C durante 15 dias, não recomendado a armazenamento acima de 0 °C)
8	Alimentos frescos	0 - +4	etc. (Recomendado a consumo no mesmo dia ou dentro de não mais de 3 dias)
9	Vinho	+5 - +20	Vinho tinto, vinho branco, vinho espumante, etc.

ATENÇÃO

guarde os diferentes alimentos de acordo com os compartimentos ou temperatura de armazenamento dos produtos adquiridos.

LIMPEZA E MANUTENÇÃO

PT

Limpeza geral

- O pó e poeira atrás do frigorífico e no chão devem ser limpos para melhorar o efeito de arrefecimento e poupar energia.
- Verificar o vedante da porta regularmente para se certificar que não tem detritos. Limpe o vedante da porta com um pano humedecido com água com sabão ou detergente diluído.
- O interior do frigorífico deve ser limpo regularmente para evitar odores.
- Desligue da corrente antes de limpar o interior, retirar todos os alimentos, bebidas, prateleiras, gavetas, etc.
- Utilize um pano macio ou uma esponja para limpar o interior do frigorífico, com duas colheres de sopa de bicarbonato de sódio num litro de água morna. Em seguida, enxaguar com a água e limpar. Depois de limpar, abra a porta e deixe secar naturalmente antes de ligar a alimentação.
- Para as áreas difíceis de limpar no frigorífico (tais como espaços ou cantos estreitos), é recomendado esfregá-las regularmente com um pano macio, uma escova macia, etc. e, quando necessário, combinar com ferramentas auxiliares (como palitos finos) para garantir que não há acumulação de contaminantes ou bactérias nestas áreas.
- Não utilize sabão, detergente, pó para esfregar, detergente em spray, etc., pois estes podem causar odores no interior do frigorífico ou a contaminação de alimentos.
- Limpe o suporte de garrafas, as prateleiras e as gavetas com um pano humedecido com água com sabão ou detergente diluído. Secar com um pano macio ou deixar secar naturalmente.
- Limpe a superfície exterior do frigorífico com um pano humedecido com água com sabão, detergente, etc. e, em seguida, seque.
- Não utilize escovas duras, palha de aço, escovas de arame, produtos abrasivos (tais como pasta de dentes), solventes orgânicos (tais como álcool, acetona, óleo de banana, etc.), água a ferver ou produtos ácidos ou alcalinos, que possam danificar a superfície e o interior do frigorífico. Água a ferver e solventes orgânicos, como benzeno, podem deformar ou danificar as peças plásticas.
- Não passar diretamente por água ou outros líquidos durante a limpeza para evitar curto-circuitos ou afetar o isolamento elétrico depois da imersão.

ATENÇÃO

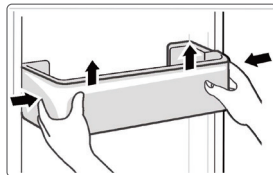
Desligue o frigorífico da tomada para o descongelar e limpar.

Descongelar

- O frigorífico é feito com base no princípio de arrefecimento por ar e, portanto, tem a função de descongelação automática. O gelo formado devido a mudança de estação ou temperatura também pode ser removido manualmente, desligando o aparelho da corrente ou esfregando com uma toalha seca.

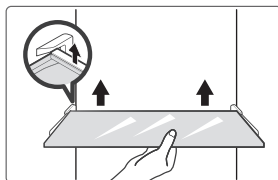
Limpar o tabuleiro da porta

- De acordo com a seta de direção na figura abaixo, usar as duas mãos para apertar o tabuleiro e empurrá-lo para cima para a retirar.
- Depois de lavar o tabuleiro que foi retirado, pode ajustar a altura de instalação de acordo com a sua exigência.



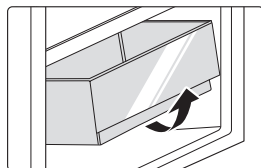
Limpar a prateleiras em vidro

- Como a parte mais interna do forro do frigorífico, onde entra em contacto com as prateleiras, tem um batente, deve levantar as prateleiras para as poder retirar.
- Ajustar ou limpar as prateleiras de acordo com a sua exigência.



Limpar a gaveta dos frescos

1. Remova o conteúdo da gaveta. Segurar a pega da gaveta dos frescos e puxá-la completamente para fora até parar.
2. Levantar a gaveta dos frescos e retirá-la puxando-a para fora.



Fora de serviço

Falha de energia:

Em caso de falha de energia, mesmo no verão, os alimentos dentro do aparelho podem ser mantidos por várias horas; durante uma falha de energia, o número de vezes que a porta é aberta deve ser reduzido e não devem ser postos mais alimentos frescos no aparelho.

Não utilização prolongada:

O aparelho deve ser desligado da tomada e depois limpo; em seguida, as portas são deixadas abertas para evitar odores.

Mover:

Antes de o frigorífico ser movido, retire todos os artigos no interior, fixe as divisórias de vidro, o suporte de legumes, as gavetas da câmara de congelamento, etc. com fita adesiva, aperte os pés de nivelamento, feche as portas e fixe-as com fita adesiva. Ao mover, o aparelho não deve ser virado ao contrário, deitado horizontalmente ou sofrer vibrações; a inclinação durante o deslocamento não deve ser superior a 45°.

● ATENÇÃO

O aparelho deve funcionar ininterruptamente uma vez iniciado. Regra geral, a operação do aparelho não deve ser interrompida, caso contrário, a sua vida útil pode ser prejudicada.

RESOLUÇÃO DE PROBLEMAS

Podem ser solucionados pelo utilizador os seguintes problemas simples. Por favor, contacte o departamento de serviço pós-venda se os problemas não forem resolvidos.

Problema	Motivo possível
Falha de funcionamento	• Verifique se o aparelho está ligado à corrente ou se a ficha está bem ligada
	• Verifique se a tensão é demasiado baixa
	• Verifique se há uma falha de energia ou se alguns circuitos dispararam
Odores	• Os alimentos com odor devem ser bem embrulhados
	• Verifique se há comida estragada
	• Limpe o interior do frigorífico
Funcionamento prolongado do compressor	• O funcionamento prolongado do frigorífico é normal no Verão
	• Quando a temperatura ambiente é elevada não é aconselhável colocar muitos alimentos no aparelho ao mesmo tempo
	• Os alimentos devem arrefecer antes de serem colocados no aparelho
	• As portas são abertas com demasiada frequência
A luz não acende	• Verifique se o frigorífico está ligado à rede elétrica e se a luz de iluminação está danificada
	• A lâmpada deve ser substituída por um especialista
A porta não fecha bem	• A porta está presa por embalagens de alimentos. Foram colocados demasiados alimentos
	• O frigorífico está inclinado.
Ruídos altos	• Verifique se o piso está nivelado e se o frigorífico está colocado de forma estável
	• Verifique se os acessórios estão colocados nos locais apropriados

Problema	Motivo possível
A junta de vedação da porta não está a vedar	<ul style="list-style-type: none"> • Remova matérias estranhas do vedante da porta • Aqueça a vedação da porta e depois arrefeça-a para restauração (utilize um secador elétrico ou utilize uma toalha quente para aquecimento)
O depósito de água transborda	<ul style="list-style-type: none"> • Há demasiados alimentos na câmara ou os alimentos armazenados contêm muita água, resultando numa descongelação profusa • As portas não estão bem fechadas, resultando em gelo, devido à entrada de ar e ao aumento de água derivado da descongelação
Caixa do aparelho	<ul style="list-style-type: none"> • A dissipação de calor do condensador incorporado através da caixa, que é normal quando a caixa se torna quente devido à alta temperatura ambiente, ao armazenamento de demasiados alimentos ou ao encerramento do compressor, proporcionam uma ventilação adequada para facilitar a dissipação de calor
Condensação na superfície	<ul style="list-style-type: none"> • A condensação na superfície exterior e nos vedantes das portas do frigorífico é normal quando a humidade ambiente é demasiado elevada. Simplesmente limpe a condensação com uma toalha limpa.
Ruído anormal	<ul style="list-style-type: none"> • Zumbido: O compressor pode produzir ruídos durante o funcionamento e os ruídos são altos, principalmente no arranque ou paragem. Isto é normal. • Crepitação: O refrigerante a circular dentro do aparelho pode crepitar, o que é normal.

PT

APÊNDICE

Especial para a nova norma europeia

As peças encomendadas na tabela seguinte podem ser adquiridas no canal do fornecedor de serviços

Peça encomendada	Fornecida por	Tempo mínimo necessário para o fornecimento
Termóstatos	Pessoal de manutenção profissional	Pelo menos 7 anos após o último modelo ser lançado no mercado
Sensor de temperatura	Pessoal de manutenção profissional	Pelo menos 7 anos após o último modelo ser lançado no mercado
Placa de circuito impresso	Pessoal de manutenção profissional	Pelo menos 7 anos após o último modelo ser lançado no mercado
Fonte de luz	Pessoal de manutenção profissional	Pelo menos 7 anos após o último modelo ser lançado no mercado
Pega da porta	Reparadores profissionais e utilizadores finais	Pelo menos 7 anos após o último modelo ser lançado no mercado
Dobradiças da porta	Reparadores profissionais e utilizadores finais	Pelo menos 7 anos após o último modelo ser lançado no mercado
Tabuleiros	Reparadores profissionais e utilizadores finais	Pelo menos 7 anos após o último modelo ser lançado no mercado
Cestos	Reparadores profissionais e utilizadores finais	Pelo menos 7 anos após o último modelo ser lançado no mercado
Juntas da porta	Reparadores profissionais e utilizadores finais	Pelo menos 10 anos após o último modelo ser lançado no mercado

Caro(a) cliente

1. Se pretender devolver ou substituir o produto, deve contactar o estabelecimento comercial onde o mesmo foi comprado.
(Lembre-se de trazer a fatura de compra)
2. Se o seu produto não avariar e necessitar de reparação, deve contactar o prestador de serviço pós-venda.

ATENÇÃO

As informações do modelo na base de dados do produto, bem como o identificador do modelo, podem ser obtidos através de uma ligação digitalizada através de um código QR, se existir, no rótulo de eficiência energética do produto.

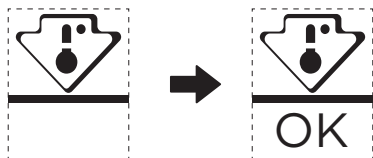
Para mais informações sobre a eficiência energética do aparelho, visite <https://ec.europa.eu> e pesquise usando o nome do modelo.

O nome do modelo pode ser encontrado na etiqueta de classificação do aparelho.

Zona mais fria do frigorífico

OPCIONAL: Indicador de temperatura OK

- O indicador de temperatura OK pode ser utilizado para determinar temperaturas inferiores a +4°C. Reduza gradualmente a temperatura se o sinal não indicar "OK".



- Para garantir a temperatura nesta área, não altere o posicionamento da prateleira. Frigoríficos de ar forçado (equipados com um ventilador ou modelos No Frost), o símbolo da zona mais fria não é representado porque a temperatura no interior é homogénea.

Definição do indicador de temperatura

- Para ajudar a configurar corretamente o seu frigorífico, este está equipado com um indicador de temperatura que monitoriza a temperatura média na zona mais fria.
- AVISO: Este indicador destina-se a funcionar apenas com o seu frigorífico, não o utilize noutro frigorífico (de facto, a zona mais fria não é a mesma), ou para qualquer outra utilização.

Verificar a temperatura na zona mais fria

- Com o indicador de temperatura, pode verificar regularmente se a temperatura da zona mais fria está correta. De facto, a temperatura interna do frigorífico depende de vários fatores tais como a temperatura ambiente da divisão, a quantidade de alimentos armazenados e a frequência de abertura das portas. Tenha estes fatores em consideração ao configurar o aparelho.
- Quando o indicador mostrar «OK», significa que o termóstato está bem regulado e a temperatura interna está correta.
- Se o indicador de temperatura ficar BRANCO, significa que a temperatura está demasiado alta; neste caso, aumente a definição do controlo de temperatura do frigorífico e aguarde 12 horas antes de voltar a inspecionar visualmente o indicador. Quando tiverem sido colocados alimentos frescos ou a porta tiver sido deixada aberta, é possível que o indicador de temperatura fique BRANCO após algum tempo.

ΕΥΧΑΡΙΣΤΙΕΣ

Σας ευχαριστούμε που επιλέξατε την Midea! Πρωτού χρησιμοποιήσετε το νέο σας προϊόν της Midea, διαβάστε προσεκτικά αυτό το εγχειρίδιο για να βεβαιωθείτε ότι γνωρίζετε πώς να χειρίζεστε τις δυνατότητες και τις λειτουργίες που προσφέρει η νέα σας συσκευή με ασφάλεια.

ΠΕΡΙΕΧΟΜΕΝΑ

ΕΥΧΑΡΙΣΤΙΕΣ	01
ΠΡΟΔΙΑΓΡΑΦΕΣ	02
ΕΠΙΣΚΟΠΗΣΗ ΠΡΟΪΟΝΤΟΣ	03
ΕΓΚΑΤΑΣΤΑΣΗ ΠΡΟΪΟΝΤΟΣ	04
ΟΔΗΓΙΕΣ ΛΕΙΤΟΥΡΓΙΑΣ	11
ΚΑΘΑΡΙΣΜΟΣ ΚΑΙ ΣΥΝΤΗΡΗΣΗ	15
ΑΝΤΙΜΕΤΩΠΙΣΗ ΠΡΟΒΛΗΜΑΤΩΝ	17
ΠΑΡΑΡΤΗΜΑ	19

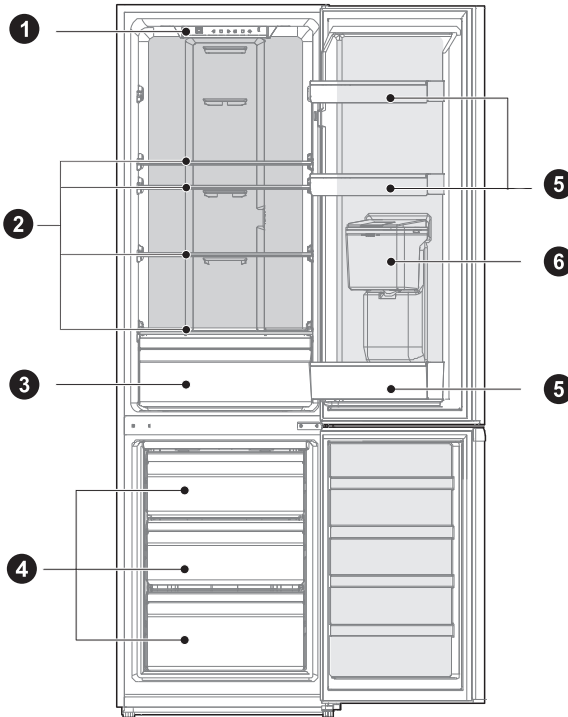
ΠΡΟΔΙΑΓΡΑΦΕΣ

Μοντέλο προϊόντος	MDRB380FGE SERIES
Όγκος φρέσκων τροφίμων	199L
Όγκος κατεψυγμένων τροφίμων	71L
Τύπος απόψυξης	Αυτόματη απόψυξη
Χρόνος ανόδου θερμοκρασίας	7h
Ικανότητα κατάψυξης	3.5kg/24h
Ονομαστική τάση	220-240V~
Ονομαστικό ρεύμα	0.6A
Συνολικές διαστάσεις (Υ × Π × Β)	1800x545x625mm

GR

ΕΠΙΣΚΟΠΗΣΗ ΠΡΟΪΟΝΤΟΣ

Ονομασία των εξαρτημάτων



1 Φωτισμός LED

2 Ράφι

3 Φρουτοθήκη

4 Συρτάρι

5 Ράφι πόρτας

6 Διανομέας νερού (προαιρετικό)

ΠΡΟΣΟΧΗ

Η παραπάνω εικόνα προορίζεται μόνο για σκοπούς αναφοράς. Η διαμόρφωση εξαρτάται από το εκάστοτε προϊόν ή τη δήλωση του διανομέα.

ΕΓΚΑΤΑΣΤΑΣΗ ΠΡΟΪΟΝΤΟΣ

Οδηγίες εγκατάστασης

Για συσκευές ψύξης με κλιματική κλάση

- Ανάλογα με την κλιματική κλάση, αυτή η ψυκτική συσκευή προορίζεται για χρήση σε εύρος θερμοκρασίας περιβάλλοντος όπως αυτό που καθορίζεται στον ακόλουθο πίνακα.
- Η κλιματική κλάση βρίσκεται στην πινακίδα χαρακτηριστικών. Το προϊόν ενδέχεται να μην λειτουργεί σωστά σε θερμοκρασίες εκτός του καθορισμένου εύρους.
- Μπορείτε να βρείτε την κλιματική κλάση στην ετικέτα του προϊόντος.

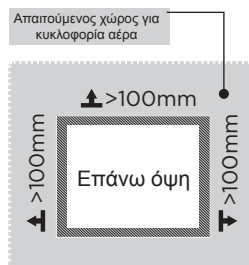
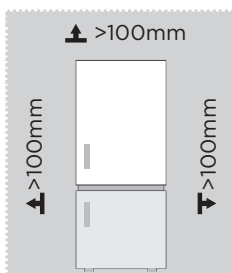
Εύρος θερμοκρασίας λειτουργίας

- Το προϊόν έχει σχεδιαστεί να λειτουργεί κανονικά εντός του εύρους θερμοκρασίας που καθορίζεται από τον βαθμό κλάσης του.

Κατηγορία	Σύμβολο	Εύρος θερμοκρασίας περιβάλλοντος °C	
		IEC 62552 (ISO 15502)	ISO 8561
Εκτεταμένο εύκρατο	SN	+ 10 έως + 32	+ 10 έως + 32
Εύκρατο	N	+ 16 έως + 32	+ 16 έως + 32
Υποτροπικό	ST	+ 16 έως + 38	+ 18 έως + 38
Τροπικό	T	+ 16 έως + 43	+ 18 έως + 43

Διαστάσεις και αποστάσεις

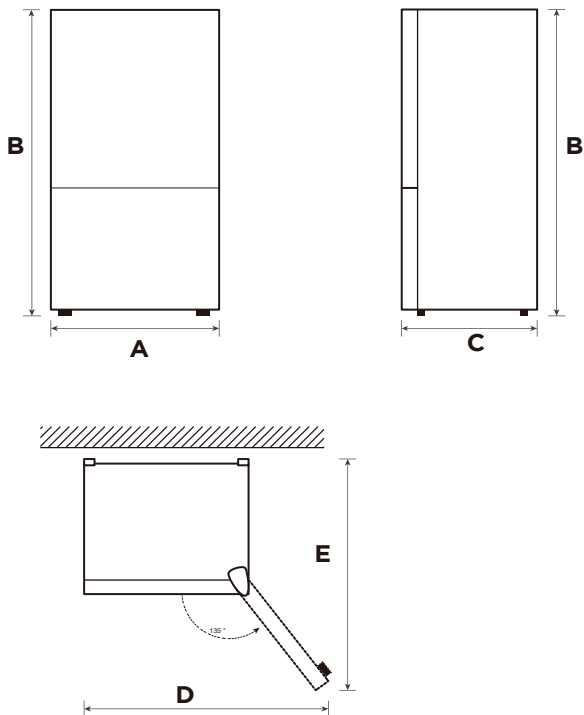
- Οι υπερβολικά μικρές αποστάσεις από παρακείμενα αντικείμενα ενδέχεται να οδηγήσουν σε υποβάθμιση της ικανότητας κατάψυξης και σε αυξημένη κατανάλωση ηλεκτρικής ενέργειας. Κατά την εγκατάσταση της συσκευής, αφήστε απόσταση πάνω από 100 mm από κάθε παρακείμενο τοίχο.



ΠΡΟΣΟΧΗ

Η παραπάνω εικόνα προορίζεται μόνο για σκοπούς αναφοράς. Η διαμόρφωση εξαρτάται από το εκάστοτε προϊόν ή τη δήλωση του διανομέα.

Διάγραμμα απαιτούμενου χώρου (όταν η πόρτα είναι ανοιχτή και όταν η πόρτα είναι κλειστή)



GR

Πλάτος	Συνολικό ύψος	Βάθος	Πλάτος ανοιχτής πόρτας 135°	Βάθος ανοιχτής πόρτας 135°
A	B	C	D	E
545	1800	625	820	1070

Σημείωση: Όλες οι διαστάσεις είναι σε mm



Πόδια οριζοντίωσης

Για την αποφυγή κραδασμών, η μονάδα πρέπει να είναι οριζοντιωμένη.

Εάν απαιτείται, ρυθμίστε τις βίδες οριζοντίωσης για να αντισταθμίσετε τυχόν ανωμαλίες του δαπέδου.

Το μπροστινό μέρος πρέπει να είναι ελαφρώς ψηλότερα από το πίσω μέρος, προκειμένου να διευκολύνεται το κλείσιμο της πόρτας.

Οι βίδες οριζοντίωσης μπορούν να περιστραφούν εύκολα γέροντας ελαφρά τον θάλαμο.

Περιστρέψτε τις βίδες οριζοντίωσης αριστερόστροφα  για να ανυψώσετε τη μονάδα και δεξιόστροφα  για να τη χαμηλώσετε.

Μετακίνηση της συσκευής

1. Προτού μετακινήσετε το ψυγείο, αφαιρέστε όλα τα αντικείμενα από μέσα και βγάλτε το φιν από την πρίζα.
2. Στερεώστε τα γυάλινα χωρίσματα, τη θήκη λαχανικών, τα συρτάρια του θαλάμου κατάψυξης κ.λπ. με ταινία, σφίξτε τα πόδια οριζοντίωσης και κλείστε τις πόρτες και σφραγίστε τις με ταινία.
3. Μετακινήστε προσεκτικά τη συσκευή με τουλάχιστον από δύο άτομα. Κατά τη μετακίνηση, η συσκευή δεν θα πρέπει να τοποθετηθεί ανάποδα, οριζόντια ή να ταρακουνηθεί έντονα. Η κλίση κατά τη διάρκεια της μετακίνησης δεν πρέπει να υπερβαίνει τις 45°.
4. Μετά την εγκατάσταση της συσκευής, συνδέστε το βύσμα τροφοδοσίας σε μια πρίζα για να ενεργοποιήσετε τη συσκευή.

ΠΡΟΣΟΧΗ

Προφυλάξτε πριν από τη λειτουργία:

Αποσυνδέστε το ψυγείο από το ρεύμα προτού κάνετε αλλαγές.

Πρέπει να ληφθούν προφυλάξεις για την αποφυγή τραυματισμού.

Τοποθέτηση

- Πριν από τη χρήση, αφαιρέστε όλα τα υλικά συσκευασίας, συμπεριλαμβανομένων των επιθεμάτων του κάτω μέρους, των επιθεμάτων από αφρώδες υλικό και των ταινιών στο εσωτερικό του ψυγείου. Ξεκολλήστε την προστατευτική μεμβράνη από τις πόρτες και το σώμα του ψυγείου.
- Φυλάσσετε μακριά από τη θερμότητα και αποφύγετε το άμεσο ηλιακό φως. Μην τοποθετείτε τον καταψύκτη σε μέρη με υγρασία ή νερά για να αποτρέψετε τη σκουριά ή την υποβάθμιση της μόνωσης.
- Μην περπατάτε και μην πλένετε το ψυγείο. Μην τοποθετείτε το ψυγείο σε υγρά μέρη όπου εύκολα μπορεί να πιπιλιστεί με νερό, ώστε να μην επηρεαστεί η ηλεκτρική μόνωση του ψυγείου.
- Το ψυγείο τοποθετείται σε καλά αεριζόμενο εσωτερικό χώρο. Το έδαφος πρέπει να είναι επίπεδο και στιβαρό (περιστρέψτε αριστερά ή δεξιά για να ρυθμίσετε τον τροχό της οριζοντίωσης εάν το ψυγείο είναι ασταθές).

Αλλαγή θέσης πόρτας δεξιά/αριστερά(προαιρετική)

Με βάση τη θέση στην οποία σκοπεύετε να χρησιμοποιήσετε το ψυγείο σας, ενδέχεται να σας βολεύει περισσότερο η αντιστροφή της θέσης της πόρτας.

ΠΡΟΣΟΧΗ

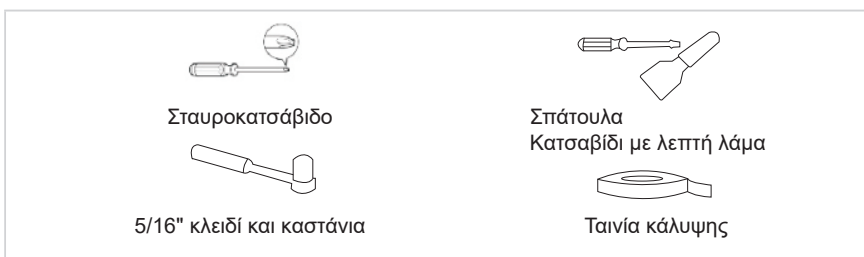
ΠΡΟΣΟΧΗ: Για να αποφύγετε τυχόν τραυματισμό ή υλικές ζημιές, συνητούμε να σας βοηθήσει κάποιος κατά τη διαδικασία αντιστροφής της πόρτας.

Προετοιμασία για αντιστροφή της θέσης της πόρτας

Θα χρειαστείτε: Ένα ίσιο κατσαβίδι, ένα σταυροκατσάβιδο και το παρεχόμενο κλειδί Allen.

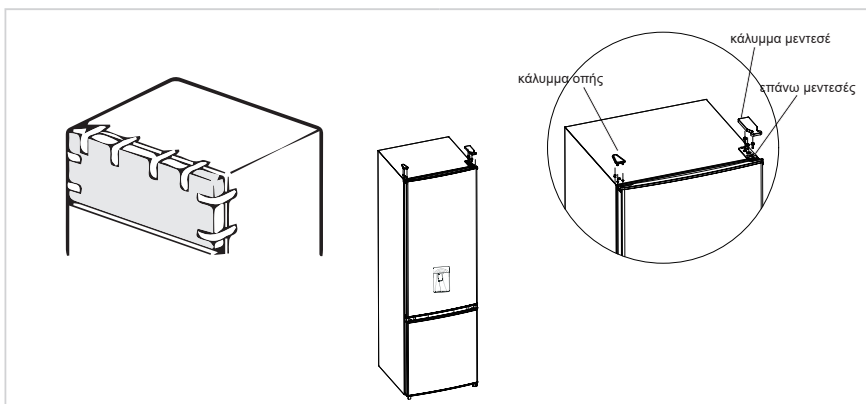
- Βεβαιωθείτε ότι το ψυγείο σας είναι αποσυνδεδεμένο από την πρίζα και άδειο.
- Ζητήστε τη βοήθεια ενός δεύτερου ατόμου για να σας βοηθήσει στη διαδικασία.
- Φυλάξτε όλα τα εξαρτήματα που αφαιρείτε για να τα επαναχρησιμοποιήσετε αργότερα.

Εργαλεία που απαιτούνται για αντιστροφή της πόρτας:

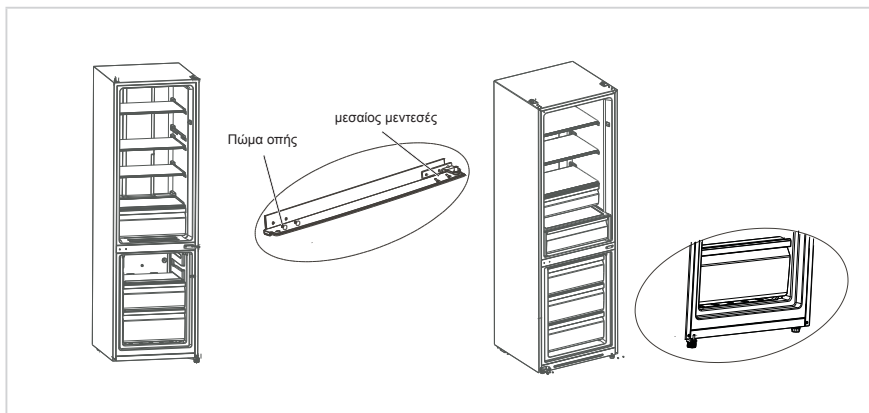


Βήμα

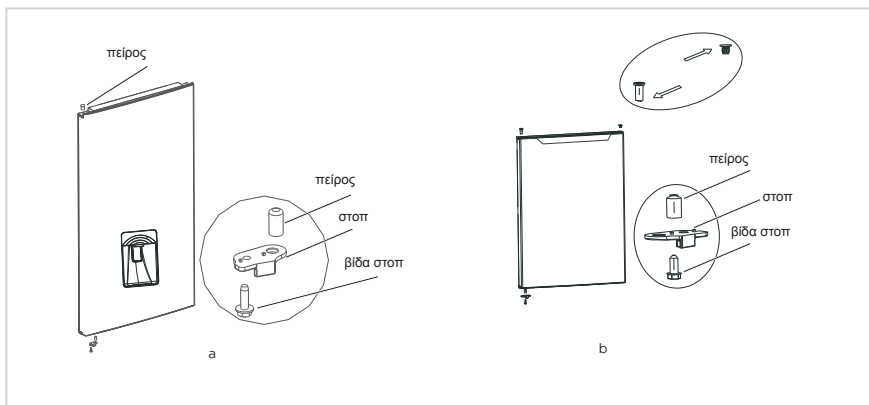
1. Απενεργοποιήστε τη συσκευή προτού εκτελέσετε αυτήν τη λειτουργία. Αφαιρέστε όλα τα τρόφιμα από το εσωτερικό της πόρτας. Κλείστε την πόρτα με ταινία.
2. Αποσυναρμολογήστε το κάλυμμα οπής, το κάλυμμα μεντεσέ και τον επάνω μεντεσέ.



3. Βγάλτε την πόρτα του θαλάμου ψύξης, τον μεσαίο μεντεσέ (χρησιμοποιήστε ένα κλειδί Allen για να αφαιρέσετε τη βίδα του μεσαίου μεντεσέ) και το κάλυμμα οπής της άλλης πλευράς.
4. Αφαιρέστε την πόρτα του θαλάμου κατάψυξης, αποσυναρμολογήστε τον κάτω μεντεσέ, τα καλύμματα οπών και το πόδι οριζοντίωσης και τοποθετήστε τον κάτω μεντεσέ στην άλλη πλευρά.



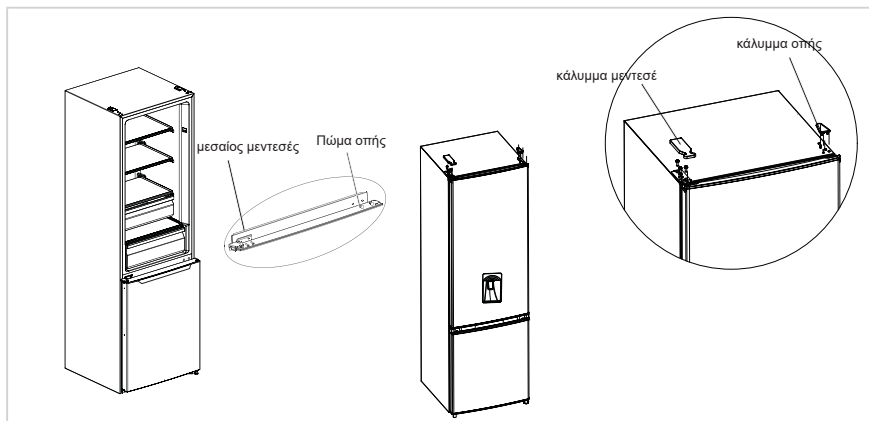
5. α) Αποσυναρμολογήστε το στοπ και τον πείρο της πόρτας του θαλάμου ψύξης. Στερεώστε τον πείρο και το στοπ στο κάτω αριστερό μέρος της πόρτας με βίδες.
- β) Αποσυναρμολογήστε το στοπ και τον πείρο από τη δεξιά πλευρά της πόρτας του θαλάμου κατάψυξης. Στερεώστε τον πείρο και το στοπ στο κάτω αριστερό μέρος της πόρτας με βίδες. Αφαιρέστε τον πείρο και τα καλύμματα οπών στην πόρτα του θαλάμου κατάψυξης και τοποθετήστε τα στην άλλη πλευρά.



6. Τοποθετήστε την πόρτα κατάψυξης στον κάτω μεντεσέ και εγκαταστήστε τον μεσαίο μεντεσέ και τα καλύμματα οπών.
7. Τοποθετήστε την πόρτα του θαλάμου ψύξης στον μεσαίο μεντεσέ και εγκαταστήστε τον επάνω μεντεσέ και το κάλυμμα μεντεσέ.

8. Τοποθετήστε την πόρτα του θαλάμου ψύξης στον μεσαίο μεντεσέ και εγκαταστήστε τον επάνω μεντεσέ και το κάλυμμα μεντεσέ.

Επιβεβαιώστε τα ακόλουθα πριν από την εγκατάσταση του καλύμματος επάνω μεντεσέ. Οι βίδες που συγκρατούν τον μεντεσέ πρέπει να πιέζονται σφιχτά στην επιφάνεια του μεντεσέ για να διασφαλιστεί ότι η βίδα δεν θα εκτραπεί. Αφού εγκατασταθεί ο μεντεσές, βεβαιωθείτε ότι είναι σταθερός.



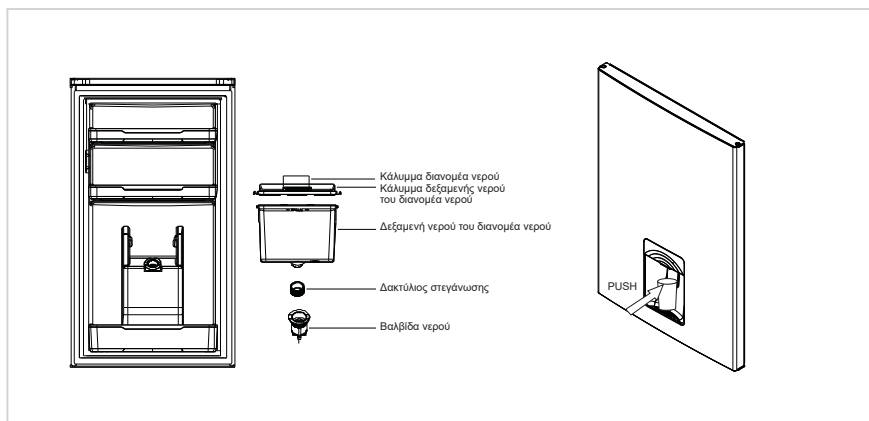
GR

ΠΡΟΣΟΧΗ

Η παραπάνω εικόνα προορίζεται μόνο για σκοπούς αναφοράς. Η διαμόρφωση εξαρτάται από το εκάστοτε προϊόν ή τη δήλωση του διανομέα.

Χρήση του διανομέα νερού (προαιρετικό)

1. Αρχικά ανοίξτε το κάλυμμα εισόδου νερού και γεμίστε με πόσιμο νερό μέχρι την ένδειξη «MAX» που επισημαίνεται ως η μέγιστη ποσότητα νερού.
2. Χρησιμοποιήστε το κύπελλο για να πιέσετε τη σκανδάλη προς το εσωτερικό. Η ροή νερού ξεκινά. Μόλις η σκανδάλη επιστρέψει στην αρχική θέση, η ροή νερού σταματά.
3. Ο διανομέας νερού μπορεί να χρησιμοποιηθεί μόνο για καθαρό νερό. Δεν είναι κατάλληλος για ποτά ή χυμούς φρούτων.

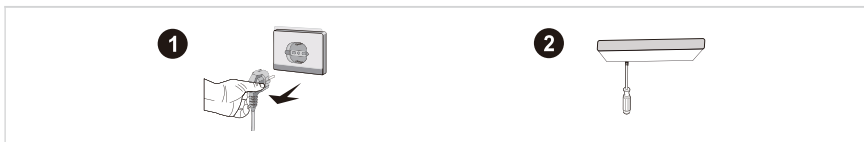


Αλλαγή λυχνίας

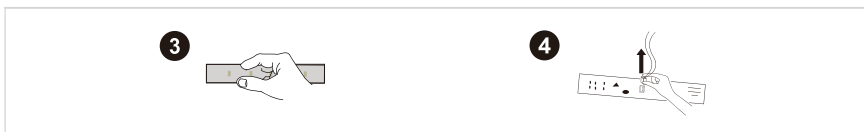
- Οποιαδήποτε αντικατάσταση ή συντήρηση των λυχνιών LED προορίζεται να εκτελείται από τον κατασκευαστή, τον αντιπρόσωπο σέρβις ή αντίστοιχα εξουσιοδοτημένα άτομα. Αυτό το προϊόν περιέχει φωτεινή πηγή ενεργειακής απόδοσης <F>.

Βήμα

1. Βγάλτε το φις πριν την αφαίρεση.
2. Αφαιρέστε το κάλυμμα της λυχνίας με ένα κατασαβίδι.



3. Κατεβάστε το πάνελ της λάμπας.
4. Αφαιρέστε τον ακροδέκτη σύνδεσης.



Σύνδεση της συσκευής

Πριν από την αρχική έναρξη λειτουργίας, αφήστε το ψυγείο ακίνητο για δύο ώρες προτού το συνδέσετε στην παροχή ρεύματος.

ΠΡΟΣΟΧΗ

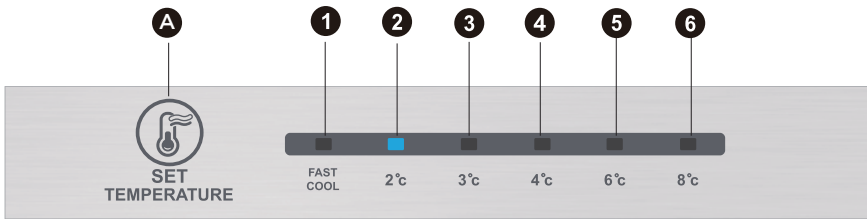
Πριν από την τοποθέτηση φρέσκων ή κατεψυγμένων τροφίμων, το ψυγείο πρέπει να έχει λειτουργήσει για 2-3 ώρες ή για πάνω από 4 ώρες το καλοκαίρι όταν η θερμοκρασία περιβάλλοντος είναι υψηλή.

Συμβουλές εξοικονόμησης ενέργειας

- Η συσκευή πρέπει να βρίσκεται στην πιο δροσερή περιοχή του δωματίου, μακριά από συσκευές παραγωγής θερμότητας ή αγωγούς θέρμανσης και μακριά από το άμεσο ηλιακό φως.
- Αφήστε τα ζεστά τρόφιμα να κρυώσουν σε θερμοκρασία δωματίου πριν τα τοποθετήσετε στη συσκευή. Το υπερβολικό γέμισμα της συσκευής αναγκάζει τον συμπιεστή να λειτουργεί περισσότερο. Τα τρόφιμα που παγώνουν πολύ αργά μπορεί να χάσουν την ποιότητα ή να χαλάσουν.
- Βεβαιωθείτε ότι έχετε συσκευάσει σωστά τα τρόφιμα και στεγνώστε τα δοχεία σκουπίζοντάς τα προτού τα τοποθετήσετε στη συσκευή. Αυτό μειώνει τη συσσώρευση παγετού στο εσωτερικό της συσκευής.
- Ο κάδος αποθήκευσης της συσκευής δεν πρέπει να είναι επενδεδυμένος με αλουμινόχαρτο, λαδόχαρτο ή χαρτί. Οι επενδύσεις παρεμποδίζουν την κυκλοφορία του κρύου αέρα, καθιστώντας τη συσκευή λιγότερο αποτελεσματική.
- Οργανώστε και επισημάνετε τα τρόφιμα για να μειώσετε τα ανοίγματα της πόρτας και τις εκτενείς αναζητήσεις. Αφαιρέστε όσο το δυνατόν περισσότερα αντικείμενα χρειάζεστε ταυτόχρονα και κλείστε την πόρτα το συντομότερο δυνατά.

ΟΔΗΓΙΕΣ ΛΕΙΤΟΥΡΓΙΑΣ

Πίνακας ελέγχου



ΠΡΟΣΟΧΗ

Η παραπάνω εικόνα προορίζεται μόνο για σκοπούς αναφοράς. Η διαμόρφωση εξαρτάται από το εκάστοτε προϊόν ή τη δήλωση του διανομέα.

GR

Πλήκτρο

A Κουμπί συναγεμμού/απενεργοποίησης/ενεργοποίησης

Οθόνη

1	Ρύθμιση θερμοκρασίας 1
2	Ρύθμιση θερμοκρασίας 2
3	Ρύθμιση θερμοκρασίας 3
4	Ρύθμιση θερμοκρασίας 4
5	Ρύθμιση θερμοκρασίας 5
6	Ρύθμιση θερμοκρασίας 6

Οθόνη

Κατά την ενεργοποίηση του ψυγείου, η οθόνη ενδείξεων (συμπεριλαμβανομένης της λυχνίας πλήκτρων) ανάβει πλήρως για 3 δευτερόλεπτα και, στη συνέχεια, το ψυγείο λειτουργεί σύμφωνα με τη ρύθμιση θερμοκρασίας 4.

Ένδειξη κανονικής λειτουργίας

Σε περίπτωση βλάβης, η αντίστοιχη λυχνία LED ανάβει με μία συνδυασμένη εμφάνιση του κωδικού βλάβης (επαναλαμβανόμενη οθόνη).

Εάν δεν υπάρχει σφάλμα, η λυχνία LED εμφανίζει την τρέχουσα ρύθμιση θερμοκρασίας.

ΠΡΟΣΟΧΗ

Ο πραγματικός πίνακας ελέγχου ενδέχεται να διαφέρει από μοντέλο σε μοντέλο.

Οδηγίες λειτουργίας

Ρύθμιση επιπέδου

- Η ρύθμιση θερμοκρασίας αλλάζει μία φορά κάθε φορά που πατάτε το πλήκτρο SET. Το ψυγείο μεταβαίνει στη νέα ρύθμιση μετά από 15 δευτ. Ρύθμιση 1 → Ρύθμιση 2 → Ρύθμιση 3 → Ρύθμιση 4 → Ρύθμιση 5 → Ρύθμιση 6 → Ρύθμιση 1 →

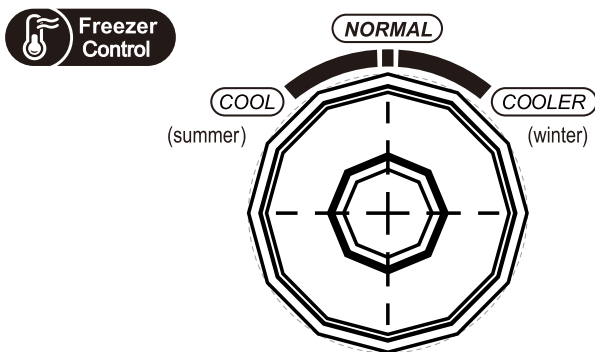
Λειτουργία γρήγορης ψύξης:

- Επιβεβαίωση: Λειτουργία ταχείας ψύξης με διαμόρφωση κυκλοφορίας.
- Λειτουργία: Η ένδειξη ταχείας ψύξης ανάβει και το ψυγείο λειτουργεί στους 2°C.
- Η λειτουργία Γρήγορης ψύξης απενεργοποιείται αυτόματα για 24 ώρες.
- Η λειτουργία γρήγορης ψύξης μπορεί να χρησιμοποιηθεί ως λειτουργία πολύ δυνατής κατάψυξης.

GR

Έλεγχος θερμοκρασίας διαμερίσματος κατάψυξης

- Η θερμοκρασία κατάψυξης είναι σχετικά χαμηλή στη θέση «COOLER» και σχετικά υψηλή στη θέση «COOL». Συνήθως χρησιμοποιείται η θέση «NORMAL».
- Όταν η θερμοκρασία περιβάλλοντος είναι υψηλή το καλοκαίρι, η θερμοκρασία πρέπει να οριστεί μεταξύ "NORMAL" και "COOL". Εάν η θερμοκρασία περιβάλλοντος είναι πάνω από 35°C, τότε υπερισχύει η θέση «COOL».
- Όταν η θερμοκρασία περιβάλλοντος είναι χαμηλή τον χειμώνα, η θερμοκρασία πρέπει να οριστεί μεταξύ "NORMAL" και "COOLER". Εάν η θερμοκρασία περιβάλλοντος είναι κάτω από 10°C, τότε υπερισχύει η θέση «COOLER».



Κωδικός σφάλματος

- Οι ακόλουθες προειδοποιήσεις που εμφανίζονται στην οθόνη υποδεικνύουν αντίστοιχα σφάλματα στο ψυγείο.
- Αν και μπορεί να διατηρούνται η λειτουργία ψύξης και η λειτουργία κατάψυξης στο ψυγείο με τα παρακάτω σφάλματα, ο χρήστης πρέπει να επικοινωνήσει με έναν ειδικό συντήρησης για συντήρηση, ώστε να διασφαλιστεί η κανονική χρήση του ψυγείου.

Κωδικός σφάλματος	Περιγραφή σφάλματος
Οι λυχνίες LED 1 και LED 2 ανάβουν	Κύκλωμα αισθητήρα θερμοκρασίας ψυγείου
Οι λυχνίες LED 1 και LED 3 ανάβουν	Αισθητήρας απόψυξης καταψύκτη
Οι λυχνίες LED 1 και LED 4 ανάβουν	Αισθητήρας θερμοκρασίας περιβάλλοντος

Θάλαμος ψύξης

- Ο Θάλαμος ψύξης είναι κατάλληλος για τη συντήρηση διαφόρων φρούτων, λαχανικών, ροφημάτων και άλλων τροφίμων που καταναλώνονται βραχυπρόθεσμα. Προτεινόμενος χρόνος συντήρησης από 3 έως 5 ημέρες.
- Τα μαγειρεμένα τρόφιμα δεν πρέπει να τοποθετούνται στον θάλαμο ψύξης έως ότου κρυώσουν σε θερμοκρασία δωματίου.
- Τα τρόφιμα συνιστάται να σφραγίζονται πριν τοποθετηθούν στο ψυγείο.
- Οι θέσεις των γυάλινων ραφιών είναι μεταβλητές για τοποθέτηση ανάλογα με τις ανάγκες.

Θάλαμος κατάψυξης

- Ο θάλαμος κατάψυξης χαμηλής θερμοκρασίας μπορεί να διατηρήσει τα τρόφιμα φρέσκα για μεγάλο χρονικό διάστημα και χρησιμοποιείται κυρίως για την αποθήκευση κατεψυγμένων τροφίμων και την παραγωγή πάγου.
- Ο θάλαμος κατάψυξης είναι κατάλληλος για να αποθηκεύετε κρέας, ψάρι, μπάλες ρυζιού και άλλα τρόφιμα που δεν καταναλώνονται βραχυπρόθεσμα.
- Τα κομμάτια κρέατος κατά προτίμηση χωρίζονται σε μικρά κομμάτια για γρήγορο πάγωμα και εύκολη πρόσβαση. Λάβετε υπόψη ότι τα τρόφιμα πρέπει να καταναλώνονται εντός του χρόνου αποθήκευσης.

Σειρά	ΤΥΠΟΣ θαλάμων	Στόχος θερμοκρασίας αποθήκευσης [°C]	Κατάλληλα τρόφιμα
1	Ψυγείο	+2 ~ +8	Αυγά, μαγειρεμένα τρόφιμα, συσκευασμένα τρόφιμα, φρούτα και λαχανικά, γαλακτοκομικά προϊόντα, κέικ, ποτά και άλλα τρόφιμα δεν είναι κατάλληλα για κατάψυξη.
2	(***)*-Καταψύκτης	≤-18	προϊόντα γλυκού νερού και προϊόντα κρέατος (συνιστάται για 3 μήνες, όσο μεγαλύτερος είναι ο χρόνος αποθήκευσης, τόσο χειρότερη είναι η γεύση και η θρεπτική αξία), κατάλληλο για κατεψυγμένα φρέσκα τρόφιμα.
3	***-Καταψύκτης	≤-18	προϊόντα γλυκού νερού και προϊόντα κρέατος (συνιστάται για 3 μήνες, όσο μεγαλύτερος είναι ο χρόνος αποθήκευσης, τόσο χειρότερη είναι η γεύση και η θρεπτική αξία), κατάλληλο για κατεψυγμένα φρέσκα τρόφιμα.
4	**-Καταψύκτης	≤-12	προϊόντα γλυκού νερού και προϊόντα κρέατος (συνιστάται για 3 μήνες, όσο μεγαλύτερος είναι ο χρόνος αποθήκευσης, τόσο χειρότερη είναι η γεύση και η θρεπτική αξία), κατάλληλο για κατεψυγμένα φρέσκα τρόφιμα.
5	*-Καταψύκτης	≤-6	προϊόντα γλυκού νερού και προϊόντα κρέατος (συνιστάται για 3 μήνες, όσο μεγαλύτερος είναι ο χρόνος αποθήκευσης, τόσο χειρότερη είναι η γεύση και η θρεπτική αξία), κατάλληλο για κατεψυγμένα φρέσκα τρόφιμα.
6	0-αστέρια	-6 ~ 0	Φρέσκο χοιρινό, μοσχαρίσιο κρέας, ψάρι, κοτόπουλο, ορισμένα συσκευασμένα επεξεργασμένα τρόφιμα κ.λπ. (Συνιστάται να καταναλώνονται εντός της ίδιας ημέρας, κατά προτίμηση όχι περισσότερο από 3 ημέρες). Επεξεργασμένα τρόφιμα (τρόφιμα χωρίς δυνατότητα κατάψυξης).
7	Ψύξη	-2 ~ +3	Νωπό/κατεψυγμένο χοιρινό, μοσχάρι, κοτόπουλο, προϊόντα γλυκού νερού, κ.λπ. (7 ημέρες κάτω από 0°C και πάνω από 0°C, συνιστάται η κατανάλωση εντός της ίδιας ημέρας, κατά προτίμηση όχι περισσότερο από 2 ημέρες). Θαλασσινά (κάτω από 0 για 15 ημέρες, δεν συνιστάται η αποθήκευση πάνω από 0°C).
8	Νωπά τρόφιμα	0 ~ +4	λπ. (Συνιστάται η κατανάλωση εντός της ίδιας ημέρας, κατά προτίμηση όχι περισσότερο από 3 ημέρες)
9	Κρασί	+5 ~ +20	Κόκκινο κρασί, λευκό κρασί, αφρώδης οίνος κ.λπ.

ΠΡΟΣΟΧΗ

αποθηκεύετε διαφορετικά τρόφιμα ανάλογα με τους θαλάμους ή τον στόχο θερμοκρασίας αποθήκευσης-του προϊόντος που αγοράσατε.

ΚΑΘΑΡΙΣΜΟΣ ΚΑΙ ΣΥΝΤΗΡΗΣΗ

Γενικός καθαρισμός

- Οι σκόνες πίσω από το ψυγείο και στο δάπεδο πρέπει να καθαρίζονται εγκαίρως για να βελτιώνεται το φαινόμενο ψύξης και για εξοικονόμηση ενέργειας.
- Ελέγχετε τακτικά τη φλάντζα της πόρτας για να βεβαιωθείτε ότι δεν υπάρχουν κατάλοιπα. Καθαρίστε το λάστιχο της πόρτας με ένα μαλακό πανί βρεγμένο με σαπουνόνερο ή αραιωμένο απορρυπαντικό.
- Το εσωτερικό του ψυγείου πρέπει να καθαρίζεται τακτικά για να αποφεύγονται οι οσμές.
- Απενεργοποιήστε την παροχή ρεύματος προτού καθαρίσετε το εσωτερικό και αφαιρέστε όλα τα τρόφιμα, τα ποτά, τα ράφια, τα συρτάρια κ.λπ.
- Χρησιμοποιήστε ένα μαλακό πανί ή σφουγγάρι για να καθαρίσετε το εσωτερικό του ψυγείου, με δύο κουταλιές της σούπας μαγειρική σόδα και ένα λίτρο ζεστό νερό. Στη συνέχεια ξεπλύνετε με νερό και σκουπίστε. Μετά τον καθαρισμό, ανοίξτε την πόρτα και αφήστε το ψυγείο να στεγνώσει φυσικά πριν ενεργοποιήσετε το ρεύμα.
- Για περιοχές που είναι δύσκολο να καθαριστούν στο ψυγείο (όπως στενές εγκοπές, κενά ή γωνίες), συνιστάται να τα σκουπίζετε τακτικά με ένα μαλακό πανί, μαλακό πινέλο κ.λπ., και όταν είναι απαραίτητο, σε συνδυασμό με ορισμένα βοηθητικά εργαλεία (όπως λεπτά ραβδιά) για να διασφαλιστεί ότι δεν συσσωρεύονται μολυσματικοί παράγοντες ή βακτήρια σε αυτές τις περιοχές.
- Μην χρησιμοποιείτε σαπούνι, απορρυπαντικό, αποξεστική σκόνη, καθαριστικό ψεκαστικό κ.λπ., καθώς ενδέχεται να προκαλέσουν οσμές στο εσωτερικό του ψυγείου ή να επιμολύνουν τρόφιμα.
- Καθαρίστε το πλαίσιο της φιάλης, τα ράφια και τα συρτάρια με ένα μαλακό πανί βρεγμένο με σαπουνόνερο ή αραιωμένο απορρυπαντικό. Στεγνώστε με ένα μαλακό πανί ή αφήστε να στεγνώσει φυσικά.
- Σκουπίστε την εξωτερική επιφάνεια του ψυγείου με ένα μαλακό πανί εμποτισμένο με σαπουνόνερο, απορρυπαντικό κ.λπ. και, στη συνέχεια, στεγνώστε σκουπίζοντας.
- Μην χρησιμοποιείτε σκληρές βούρτσες, καθαρές χαλύβδινες μπάλες, συρματόβουρτσες, αποξεστικά (όπως οδοντόκρεμες), οργανικούς διαλύτες (όπως οινόπνευμα, ασετόν, λάδι μπανάνας κ.λπ.), βραστό νερό, όξινα ή αλκαλικά στοιχεία, που μπορεί να προκαλέσουν βλάβη στην επιφάνεια και το εσωτερικό του ψυγείου. Το βραστό νερό και οι οργανικοί διαλύτες, όπως η βενζίνη, ενδέχεται να παραμορφώσουν ή να καταστρέψουν τα πλαστικά μέρη.
- Μην ξεπλένετε απευθείας με νερό ή άλλα υγρά κατά τον καθαρισμό για να αποφύγετε βραχυκύκλωμα και να μην επηρεάσετε την ηλεκτρική μόνωση λόγω διαποτισμού.

ΠΡΟΣΟΧΗ

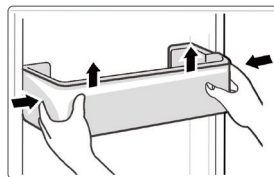
Αποσυνδέστε το ψυγείο για απόψυξη και καθαρισμό.

Απόψυξη

- Το ψυγείο κατασκευάζεται με βάση την αρχή της ψύξης του αέρα και έτσι διαθέτει λειτουργία αυτόματης απόψυξης. Ο παγετός που σχηματίζεται λόγω αλλαγής εποχής ή θερμοκρασίας μπορεί επίσης να αφαιρεθεί χειροκίνητα με αποσύνδεση της συσκευής από την παροχή ρεύματος ή σκουπίζοντας με στεγνή πετσέτα.

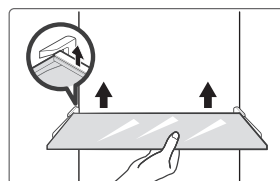
Καθαρισμός ραφιού πόρτας

- Σύμφωνα με το βέλος κατεύθυνσης στο παρακάτω σχήμα, χρησιμοποιήστε και τα δύο χέρια για να συμπίεσετε το ράφι και να το σπρώξετε προς τα πάνω, ώστε να μπορέσετε να το αφαιρέσετε.
- Αφού πλύνετε το ράφι που έχετε αφαιρέσει, μπορείτε να προσαρμόσετε το ύψος τοποθέτησής του σύμφωνα με τις απαιτήσεις σας.



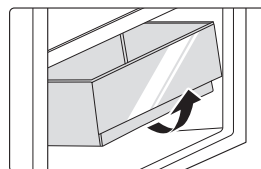
Καθαρισμός γυάλινου ραφιού

- Δεδομένου ότι το εσωτερικό μέρος της επένδυσης του ψυγείου όπου έρχεται σε επαφή με τα ράφια έχει οπίσθιο στήριγμα, θα πρέπει να σηκώσετε τα ράφια προς τα πάνω, ώστε να μπορέσετε να τα αφαιρέσετε.
- Ρυθμίστε ή καθαρίστε τα ράφια σύμφωνα με τις απαιτήσεις σας.



Καθαρισμός του συρταριού λαχανικών

1. Αφαιρέστε τα περιεχόμενα του συρταριού. Κρατήστε το χερούλι του συρταριού λαχανικών και τραβήξτε το εντελώς προς τα έξω έως ότου να σταματήσει.
2. Σηκώστε το συρτάρι λαχανικών προς τα πάνω και αφαιρέστε το τραβώντας το προς τα έξω.



Διακοπή λειτουργίας

Διακοπή ρεύματος:

Σε περίπτωση διακοπής ρεύματος, ακόμα κι αν είναι το καλοκαίρι, τα τρόφιμα μέσα στη συσκευή μπορούν να διατηρηθούν για αρκετές ώρες. Κατά τη διάρκεια της διακοπής ρεύματος, οι χρόνοι ανοίγματος της πόρτας πρέπει να μειωθούν και δεν θα πρέπει να τοποθετούνται επιπλέον φρέσκα τρόφιμα μέσα στη συσκευή.

Παρατεταμένη διακοπή χρήσης:

Η συσκευή πρέπει να αποσυνδεθεί από το ρεύμα και μετά να καθαριστεί. Στη συνέχεια οι πόρτες αφήνονται ανοιχτές για να αποφευχθεί η δημιουργία οσμών.

Μετακίνηση:

Πριν μετακινηθεί το ψυγείο, βγάλτε όλα τα αντικείμενα από μέσα, στερεώστε τα γυάλινα χωρίσματα, τη φρουτοθήκη, τα συρτάρια του θαλάμου κατάψυξης κ.λπ., με ταινία και σφιξτε τα ποδαράκια οριζοντίωσης. Κλείστε τις πόρτες και στερεώστε τις με ταινία. Κατά τη μετακίνηση, η συσκευή δεν θα πρέπει να τοποθετηθεί ανάποδα, οριζόντια ή να ταρακουνηθεί. Η κλίση κατά τη διάρκεια της μετακίνησης δεν πρέπει να υπερβαίνει τις 45°.

ΠΡΟΣΟΧΗ

Η συσκευή πρέπει να λειτουργεί συνεχώς μετά την εκκίνηση. Γενικά, η λειτουργία της συσκευής δεν πρέπει να διακόπτεται. Διαφορετικά, η διάρκεια ζωής μπορεί να μειωθεί.

ΑΝΤΙΜΕΤΩΠΙΣΗ ΠΡΟΒΛΗΜΑΤΩΝ

Τα παρακάτω απλά ζητήματα μπορούν να επιλυθούν από τον χρήστη. Καλέστε το τμήμα εξυπηρέτησης μετά την πώληση εάν τα προβλήματα παραμένουν.

Πρόβλημα	Πιθανή αιτία
Αποτυχία λειτουργίας	• Ελέγξτε εάν η συσκευή είναι συνδεδεμένη με το ρεύμα ή εάν το φως έχει καλή επαφή
	• Ελέγξτε εάν η τάση είναι πολύ χαμηλή.
	• Ελέγξτε εάν υπάρχει διακοπή ρεύματος ή έχουν βραχυκυκλώσει κάποια κυκλώματα
Οσμή	• Τα τρόφιμα με έντονη μυρωδιά πρέπει να τυλίγονται σφιχτά
	• Ελέγξτε εάν έχουν χαλάσει κάποια τρόφιμα
	• Καθαρίστε το εσωτερικό του ψυγείου
Μακροχρόνια λειτουργία του συμπιεστή	• Η μεγάλες περιόδους λειτουργίας του ψυγείου είναι φυσιολογικές το καλοκαίρι
	• όταν η θερμοκρασία περιβάλλοντος είναι υψηλή. Δεν ενδείκνυται να τοποθετείτε πολλά τρόφιμα στη συσκευή ταυτόχρονα
	• Τα τρόφιμα πρέπει να κρυώσουν πριν τοποθετηθούν στη συσκευή
	• Οι πόρτες ανοίγουν πολύ συχνά
Το φως δεν ανάβει	• Ελέγξτε εάν το ψυγείο είναι συνδεδεμένο στο ρεύμα και εάν το φως έχει υποστεί ζημιά
	• Ζητήστε από έναν ειδικό να αντικαταστήσει τη λυχνία φωτός
Η πόρτα δεν κλείνει σωστά	• Η πόρτα μαγκώνει από συσκευασίες τροφίμων. Έχουν τοποθετηθεί υπερβολικά πολλά τρόφιμα
	• Το ψυγείο είναι κεκλιμένο.
Δυνατός θόρυβος	• Ελέγξτε εάν το δάπεδο είναι επίπεδο και αν το ψυγείο έχει τοποθετηθεί σταθερά
	• Ελέγξτε εάν τα εξαρτήματα έχουν τοποθετηθεί σε κατάλληλες θέσεις

GR

Πρόβλημα	Πιθανή αιτία
Η στεγανοποίηση της πόρτας δεν είναι σφικτή	<ul style="list-style-type: none"> Αφαιρέστε ξένα σώματα από τη σφράγιση της πόρτας Θερμάνετε το λάστιχο της πόρτας και, στη συνέχεια, αφήστε το να ψυχθεί για αποκατάσταση (χρησιμοποιήστε ένα σεσουάρ μαλλιών ή μια ζεστή πετσέτα για να το θερμάνετε)
Υπερχείλιση του δίσκου νερού	<ul style="list-style-type: none"> Υπάρχουν υπερβολικά πολλά τρόφιμα στον θάλαμο ή τα τρόφιμα που αποθηκεύονται περιέχουν πολύ νερό, με αποτέλεσμα έντονη απόψυξη Οι πόρτες δεν έχουν κλείσει σωστά, με αποτέλεσμα να παγώνουν λόγω εισόδου αέρα και αυξημένου νερού λόγω απόψυξης
Ζεστό περίβλημα	<ul style="list-style-type: none"> Απαγωγή θερμότητας του ενσωματωμένου συμπυκνωτή μέσω του περιβλήματος, κάτι που είναι φυσιολογικό. Όταν το περίβλημα ζεσταθεί λόγω της υψηλής θερμοκρασίας περιβάλλοντος, η αποθήκευση υπερβολικής ποσότητας τροφίμων ή η διακοπή λειτουργίας του συμπιεστή, παρέχετε καλό εξαερισμό για διευκόλυνση της απαγωγής θερμότητας
Επιφανειακή συμπύκνωση υδρατμών	<ul style="list-style-type: none"> Η συμπύκνωση υδρατμών στην εξωτερική επιφάνεια και τις στεγανοποιήσεις των πορτών του ψυγείου είναι φυσιολογική όταν η υγρασία περιβάλλοντος είναι πολύ υψηλή. Απλώς σκουπίστε την υγρασία με μια καθαρή πετσέτα.
Μη φυσιολογικός θόρυβος	<ul style="list-style-type: none"> Βόμβος: Ο συμπιεστής μπορεί να παράγει βόμβους κατά τη λειτουργία και οι βόμβοι είναι δυνατοί ιδιαίτερα κατά την εκκίνηση ή τη διακοπή. Αυτό είναι φυσιολογικό. Τρίξιμο: Το ψυκτικό που ρέει στο εσωτερικό της συσκευής μπορεί να προκαλέσει τρίξιμο, κάτι που είναι φυσιολογικό.

GR

ΠΑΡΑΡΤΗΜΑ

Ειδικό για το νέο ευρωπαϊκό πρότυπο

Τα εξαρτήματα στον παρακάτω πίνακα μπορούν να αποκτηθούν από το δίκτυο τεχνικής εξυπηρέτησης

Εξάρτημα παραγωγείας	Παρέχεται από	Ελάχιστος χρόνος που απαιτείται για παροχή
Θερμοστάτες	Επαγγελματικό προσωπικό συντήρησης	Τουλάχιστον 7 χρόνια μετά την κυκλοφορία του τελευταίου μοντέλου στην αγορά
Αισθητήρες θερμοκρασίας	Επαγγελματικό προσωπικό συντήρησης	Τουλάχιστον 7 χρόνια μετά την κυκλοφορία του τελευταίου μοντέλου στην αγορά
Πλακέτες τυπωμένων κυκλωμάτων	Επαγγελματικό προσωπικό συντήρησης	Τουλάχιστον 7 χρόνια μετά την κυκλοφορία του τελευταίου μοντέλου στην αγορά
Πηγή φωτός	Επαγγελματικό προσωπικό συντήρησης	Τουλάχιστον 7 χρόνια μετά την κυκλοφορία του τελευταίου μοντέλου στην αγορά
λαβές πόρτας	Επαγγελματίες τεχνικοί και τελικοί χρήστες	Τουλάχιστον 7 χρόνια μετά την κυκλοφορία του τελευταίου μοντέλου στην αγορά
Μεντεσέδες πόρτας	Επαγγελματίες τεχνικοί και τελικοί χρήστες	Τουλάχιστον 7 χρόνια μετά την κυκλοφορία του τελευταίου μοντέλου στην αγορά
Ράφια	Επαγγελματίες τεχνικοί και τελικοί χρήστες	Τουλάχιστον 7 χρόνια μετά την κυκλοφορία του τελευταίου μοντέλου στην αγορά
Καλάθια	Επαγγελματίες τεχνικοί και τελικοί χρήστες	Τουλάχιστον 7 χρόνια μετά την κυκλοφορία του τελευταίου μοντέλου στην αγορά
Λάστιχα πόρτας	Επαγγελματίες τεχνικοί και τελικοί χρήστες	Τουλάχιστον 10 χρόνια μετά την κυκλοφορία του τελευταίου μοντέλου στην αγορά

GR

Αγαπητέ πελάτη,

- Εάν θέλετε να επιστρέψετε ή να αντικαταστήσετε το προϊόν, επικοινωνήστε με το κατάστημα αγοράς.
(Θυμηθείτε να φέρετε το τιμολόγιο αγοράς)
- Εάν το προϊόν σας χαλάσει και πρέπει να επισκευαστεί, επικοινωνήστε με τον πάροχο υπηρεσιών μετά την πώληση.

ΠΡΟΣΟΧΗ

Μπορείτε να λάβετε τις πληροφορίες μοντέλου στη βάση δεδομένων του προϊόντος, καθώς επίσης και το αναγνωριστικό μοντέλου, μέσω μιας ιστοσελίδας, σαρώνοντας τον κωδικό QR, εάν υπάρχει, στην ετικέτα ενεργειακής απόδοσης του προϊόντος.

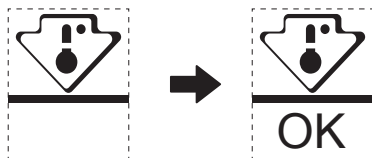
Για περισσότερες πληροφορίες σχετικά με την ενεργειακή απόδοση της συσκευής, επισκεφθείτε τη διεύθυνση <https://ec.europa.eu> και αναζητήστε χρησιμοποιώντας το όνομα του μοντέλου.

Το όνομα μοντέλου βρίσκεται στην ετικέτα αξιολόγησης της συσκευής.

Η ψυχρότερη ζώνη στο ψυγείο

ΠΡΟΑΙΡΕΤΙΚΑ: Ένδειξη θερμοκρασίας OK

- Η ένδειξη θερμοκρασίας OK μπορεί να χρησιμοποιηθεί για τον προσδιορισμό θερμοκρασιών κάτω από +4°C. Μειώστε σταδιακά τη θερμοκρασία εάν η ένδειξη δεν είναι «OK».



- Για να διασφαλίσετε τη θερμοκρασία σε αυτή την περιοχή, μην αλλάζετε τη θέση του ραφιού. Στα ψυγεία ροής αέρα (εξοπλισμένα με ανεμιστήρα ή μοντέλα No Frost), το σύμβολο της ψυχρότερης ζώνης δεν απεικονίζεται, επειδή η θερμοκρασία στο εσωτερικό είναι ομοιόμορφη.

Ρύθμιση ένδειξης θερμοκρασίας

- Για διευκόλυνση της σωστής ρύθμισης, το ψυγείο σας είναι εξοπλισμένο με μια ένδειξη θερμοκρασίας που παρακολουθεί τη μέση θερμοκρασία της ψυχρότερης ζώνης.
- ΠΡΟΕΙΔΟΠΟΙΗΣΗ: Αυτή η ένδειξη προορίζεται μόνο για λειτουργία με το ψυγείο σας, μην τη χρησιμοποιείτε σε άλλο ψυγείο (στην πραγματικότητα, η ψυχρότερη ζώνη δεν είναι η ίδια) ή για οποιαδήποτε άλλη χρήση.

Έλεγχος της θερμοκρασίας στην ψυχρότερη ζώνη

- Με την ένδειξη θερμοκρασίας, μπορείτε να ελέγχετε τακτικά ότι η θερμοκρασία της ψυχρότερης ζώνης είναι σωστή. Πράγματι, η εσωτερική θερμοκρασία του ψυγείου εξαρτάται από διάφορους παράγοντες, όπως η θερμοκρασία περιβάλλοντος του χώρου, η ποσότητα των αποθηκευμένων τροφίμων και η συχνότητα ανοίγματος της πόρτας. Λάβετε υπόψη σας αυτούς τους παράγοντες κατά τη ρύθμιση της συσκευής.
- Όταν η ένδειξη εμφανίζει «OK», αυτό σημαίνει ότι ο θερμοστάτης σας είναι καλά ρυθμισμένος και η εσωτερική θερμοκρασία είναι σωστή.
- Εάν η ένδειξη της θερμοκρασίας γίνει ΛΕΥΚΗ, αυτό σημαίνει ότι η θερμοκρασία είναι πολύ υψηλή- σε αυτή την περίπτωση, αυξήστε τη ρύθμιση ελέγχου της θερμοκρασίας του ψυγείου και περιμένετε 12 ώρες προτού πραγματοποιήσετε νέο οπτικό έλεγχο της ένδειξης. Εάν έχουν τοποθετηθεί φρέσκα τρόφιμα ή η πόρτα έχει μείνει ανοιχτή, ενδέχεται να χρειαστεί λίγος χρόνος έως ότου η ένδειξη της θερμοκρασίας να γίνει ΛΕΥΚΗ.

LETTRE DE REMERCIEMENT

Merci d'avoir choisi Midea ! Avant d'utiliser votre nouveau produit Midea, veuillez lire attentivement ce manuel afin de vous assurer que vous savez comment utiliser les caractéristiques et les fonctions de votre nouvel appareil en toute sécurité.

SOMMAIRE

LETTRE DE REMERCIEMENT	01
CARACTÉRISTIQUES.....	02
PRÉSENTATION DU PRODUIT	03
INSTALLATION DU PRODUIT	04
MODE D'EMPLOI.....	11
NETTOYAGE ET ENTRETIEN	16
DÉPANNAGE.....	18
ANNEXE.....	20

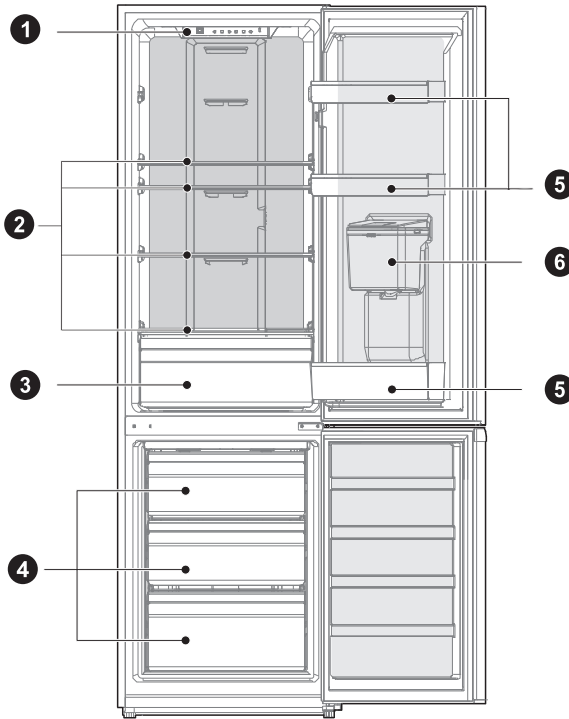
CARACTÉRISTIQUES

Modèle du produit	MDRB380FGE SERIES
Volume du compartiment de stockage des aliments frais	199 L
Volume de stockage des aliments congelés	71 L
Type de dégivrage	Décongélation automatique
Temps de montée en température	7 h
Capacité de congélation	3.5 kg/24h
Tension nominale	220-240 V-
Courant nominal	0.6 A
Dimension globale (H x L x P)	1800 x 545 x 625 mm

FR

PRÉSENTATION DU PRODUIT

Noms des composants



- | | | | |
|---|-------------------------|---|--------------------------------|
| 1 | Lumière LED | 4 | Tiroir |
| 2 | Étagère | 5 | Plateau de porte |
| 3 | Bac à fruits et légumes | 6 | Distributeur d'eau (en option) |

ATTENTION

L'image ci-dessus est donnée uniquement à titre de référence. La configuration réelle dépend du produit physique ou de la notice du.

Installation du produit

Instructions d'installation

Pour les appareils frigorifiques de classe climatique

- En fonction de la classe climatique, cet appareil de réfrigération est destiné à être utilisé dans les plages de température ambiante indiquées dans le tableau suivant.
- La classe climatique se trouve sur la plaque signalétique. Le produit peut ne pas fonctionner correctement à des températures hors de la plage indiquée.
- Vous pouvez trouver la classe climatique sur l'étiquette du produit.

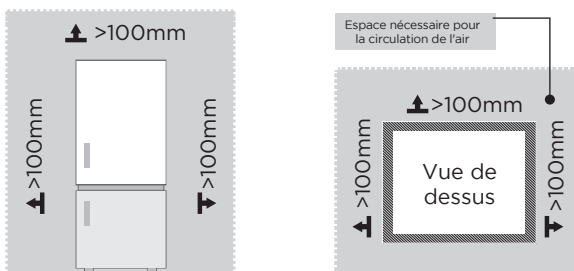
Plage de température efficace

- Ce produit est conçu pour fonctionner normalement dans la plage de température indiquée par sa qualification de classe.

Classe	Symbole	Plage de température de fonctionnement en °C	
		IEC 62552 (ISO 15502)	ISO 8561
Tempéré étendu	SN	+10 à +32	+10 à +32
Tempéré	N	+16 à +32	+16 à +32
Subtropical	ST	+16 à +38	+18 à +38
Tropical	T	+16 à +43	+18 à +43

Dimensions et dégagements

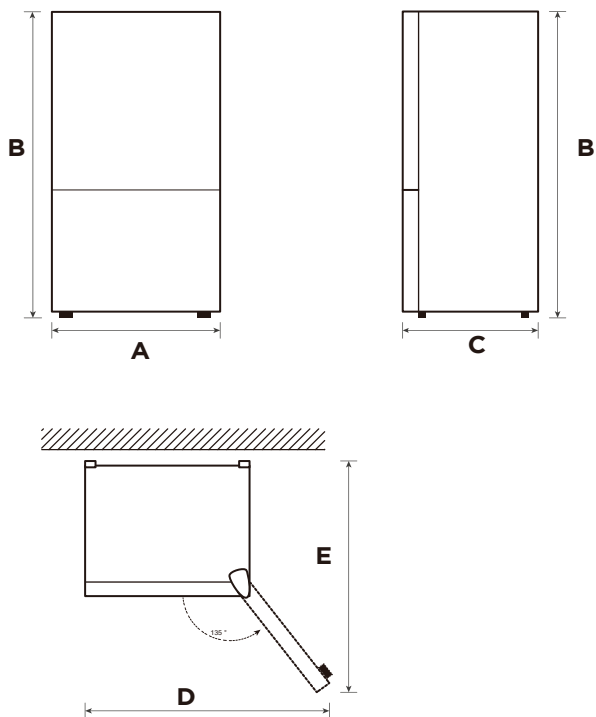
- Une distance trop petite des éléments adjacents peut entraîner une dégradation de la capacité de congélation et une augmentation des coûts d'électricité. Laissez plus de 100 mm de dégagement à partir de chaque mur adjacent lors de l'installation de l'appareil.



ATTENTION

L'image ci-dessus est donnée uniquement à titre de référence. La configuration réelle dépend du produit physique ou de la notice du.

Diagramme d'encombrement (porte ouverte et fermée)



FR

Largeur	Hauteur totale	Profondeur	La porte s'ouvre à 135° en largeur	La porte s'ouvre à 135° en hauteur
A	B	C	D	E
545	1 800	625	820	1070

Remarque : Toutes les dimensions sont en mm



Pieds réglables

L'appareil doit être à niveau pour éviter toute vibration.

Il faut tenir compte de l'uniformité du sol dans la mise à niveau.

L'avant de la porte doit être légèrement plus haut que l'arrière pour faciliter sa fermeture.

Les vis de mise à niveau peuvent être facilement tournées en inclinant légèrement l'appareil.

Tournez les vis de mise à niveau dans le sens antihoraire  pour soulever l'appareil, dans le sens horaire  pour l'abaisser.

Déplacement de l'appareil

1. Avant de déplacer le réfrigérateur, sortez tous les objets qui se trouvent à l'intérieur et retirez la fiche d'alimentation.
2. Fixez les cloisons en verre, le porte-légumes, les tiroirs de la chambre de congélation, etc avec du ruban adhésif, et serrez les pieds réglables ; fermez les portes et cachez-les avec du ruban adhésif.
3. Avec précaution, déplacez l'appareil à l'aide de deux personnes au moins. Pendant le déplacement, l'appareil ne doit pas être posé excessivement à l'envers ou à l'horizontale ni être secoué ; l'inclinaison pendant le déplacement ne doit pas dépasser 45°.
4. Après l'installation de l'appareil, branchez la fiche d'alimentation dans une prise de courant pour l'allumer.

ATTENTION

Précautions avant l'utilisation :

Avant d'effectuer tout changement, vous devez débrancher le réfrigérateur de l'alimentation. Des précautions doivent être prises pour éviter toute blessure.

Emplacement

- Avant d'utiliser le réfrigérateur, retirez tous les matériaux d'emballage, y compris les coussins inférieurs et les coussinets et bandes en mousse à l'intérieur, déchirez le film protecteur apposé sur la porte et le corps.
- Tenez à l'écart de la chaleur et évitez la lumière directe du soleil. Ne placez pas le congélateur dans des endroits humides ou aqueux pour éviter la rouille ou la réduction de l'isolation.
- Pour ne pas affecter l'isolation électrique du congélateur, ne projetez pas de l'eau dessus et ne le lavez pas, ne le placez pas dans des endroits humides où il est facile de le mouiller.
- Le réfrigérateur doit être placé dans un endroit à l'intérieur bien ventilé ; le sol doit être plat et solide (tournez les pieds à gauche ou à droite pour régler le niveau si l'appareil est instable).

Inverser l'ouverture de la porte (facultatif)

En fonction de l'endroit d'utilisation du réfrigérateur, il serait peut-être plus pratique d'inverser l'ouverture de la porte.

ATTENTION

MISE EN GARDE : Pour éviter toute blessure, il est recommandé que quelqu'un vous assiste pendant l'inversion de la porte.

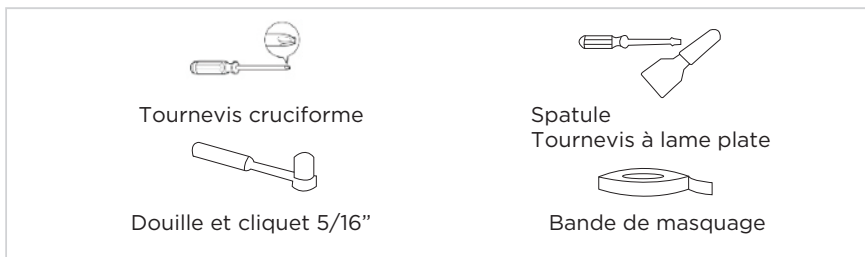
Préparation pour inverser l'ouverture de la porte

Vous aurez besoin de : Un tournevis standard, un tournevis cruciforme et la clé Allen incluse.

- Assurez-vous que votre réfrigérateur est vide et débranché.
- Il faut avoir quelqu'un pour vous aider.
- Gardez toutes les pièces retirées pour toute réutilisation.

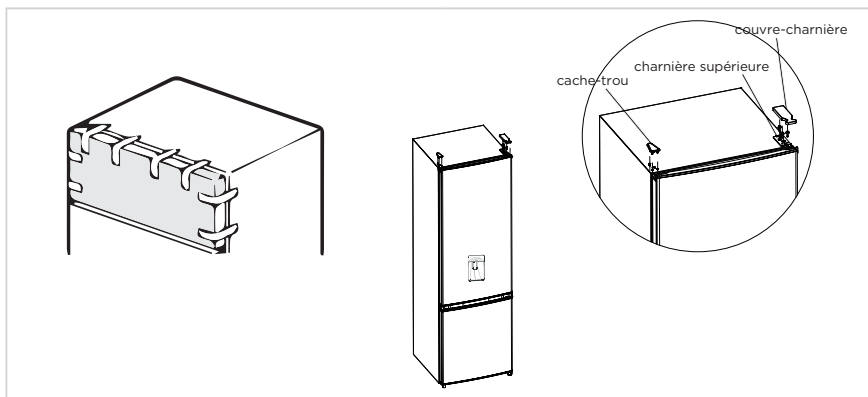
Outils nécessaires pour inverser l'ouverture de la porte :

FR

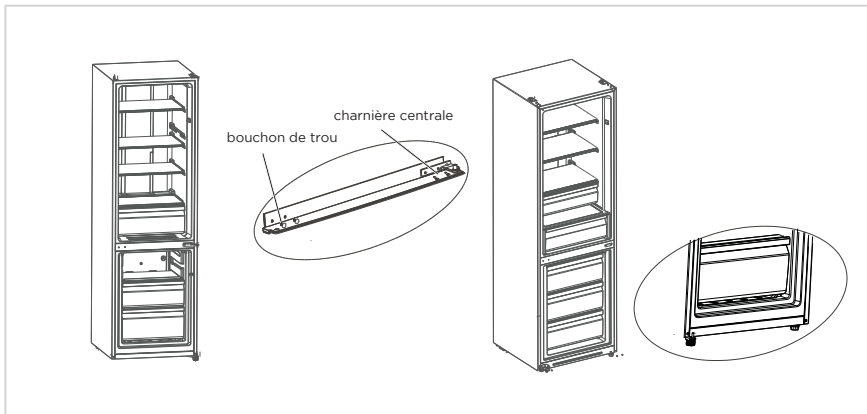


Étape

1. Veuillez éteindre l'appareil avant d'effectuer cette opération. Enlevez tous les aliments de la cuve intérieure de la porte. Fermez la porte avec du ruban adhésif.
2. Démontez le cache-trou, le couvre-charnière et la charnière supérieure.

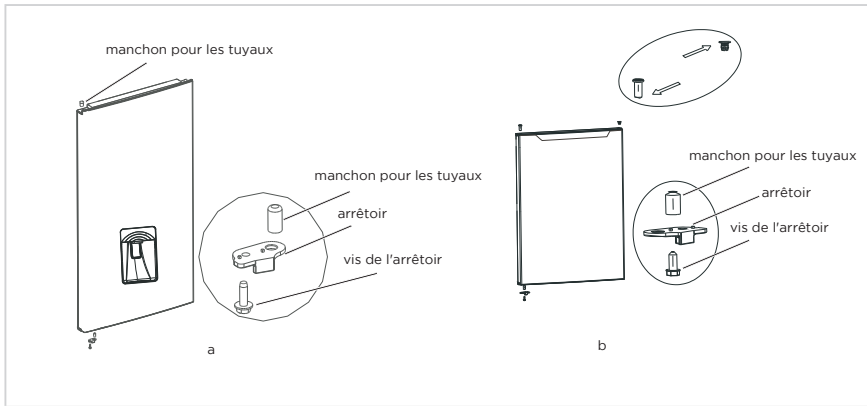


3. Retirez la porte de la chambre frigorifique, la charnière centrale (utilisez une clé Allen pour retirer la vis de la charnière centrale) et le bouchon de l'autre côté.
4. Enlevez la porte de la chambre de congélation, démontez la charnière inférieure, les bouchons de trous, le pied de réglage, installez la charnière inférieure de l'autre côté.



FR

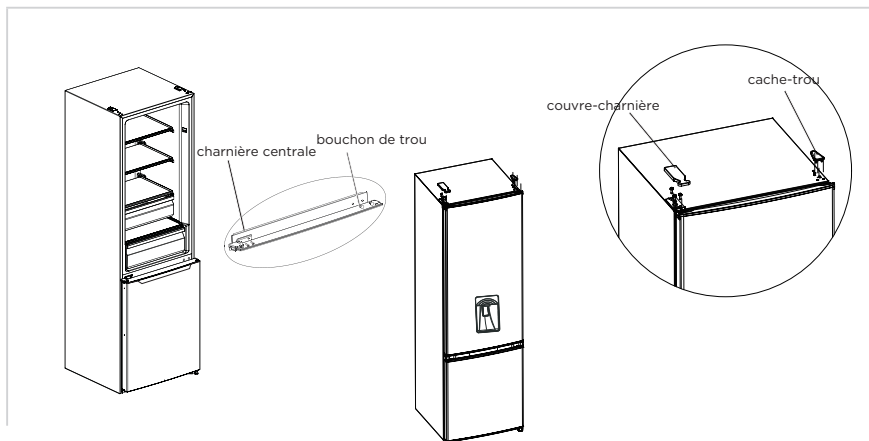
5. a) Démontez l'arrêt et le tube manchon de la porte de la chambre frigorifique. Assemblez le tube manchon et l'arrêt en bas à gauche de la porte avec une vis.
- b) Démontez l'arrêt et le tube manchon à droite de la porte de la chambre de congélation, assemblez le tube manchon et l'arrêt en bas à gauche de la porte à l'aide d'une vis. Retirez le tube manchon et les bouchons de trous de la porte de la chambre de congélation et montez-la de l'autre côté.



6. Placez la porte de congélation sur la charnière inférieure et installez la charnière centrale, les capuchons de trous.
7. Placez la porte de la chambre frigorifique sur la charnière centrale et installez la charnière supérieure, le couvre-charnière.

8. Placez la porte de la chambre frigorifique sur la charnière centrale et installez la charnière supérieure, le couvre-charnière.

Les points suivants doivent être confirmés avant d'installer le couvre-charnière supérieur. Les vis qui maintiennent la charnière doivent être fermement appuyées contre la surface de la charnière afin de faire en sorte de ne les pas dévier. Une fois la charnière installée, assurez-vous que celle-ci ne remue pas.



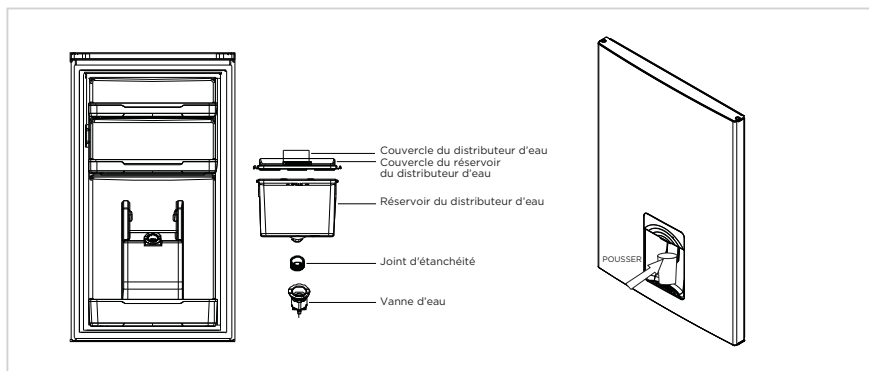
FR

● ATTENTION

L'image ci-dessus est donnée uniquement à titre de référence. La configuration réelle dépend du produit physique ou de la notice du.

Utilisation d'un distributeur d'eau (optionnel)

1. Ouvrez d'abord le couvercle d'entrée d'eau, remplissez avec de l'eau potable jusqu'à la quantité « MAX ».
2. Utilisez la tasse pour pousser la gâchette vers l'intérieur, l'eau s'écoule, lorsque la gâchette revient à la position d'origine, l'eau s'arrête.
3. Le distributeur d'eau ne peut être utilisé que pour de l'eau pure, il ne convient pas aux boissons ou aux jus de fruits.

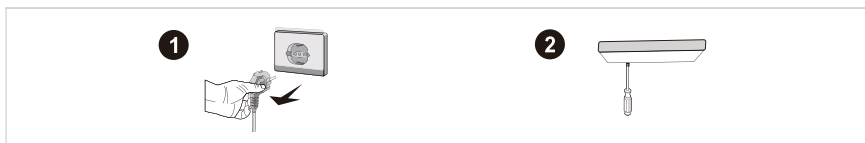


Changement de l'ampoule

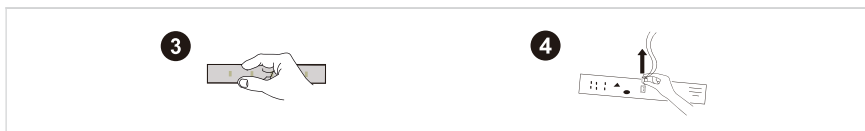
- Tout remplacement ou entretien des lampes LED doit être effectué par le fabricant, un agent agréé ou une personne qualifiée similaire. Ce produit contient une source lumineuse de classe d'efficacité énergétique (F).

Étape

1. Veuillez débrancher le produit avant de la retirer.
2. Retirez la collerette avec un tournevis.



3. Enlevez le panneau de lampe.
4. Retirez la borne de connexion.



Branchement de l'appareil

Avant le démarrage initial, gardez le réfrigérateur immobile pendant deux heures avant de le brancher.

ATTENTION

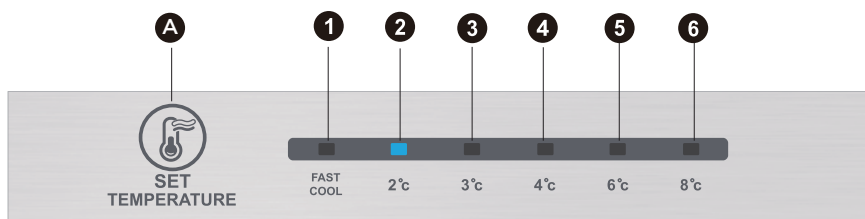
Avant de mettre des aliments frais ou surgelés, le réfrigérateur doit avoir fonctionné pendant 2 à 3 heures, ou pendant plus de 4 heures en été lorsque la température ambiante est élevée.

Conseils pour l'économie d'énergie

- L'appareil doit être situé dans la zone la plus fraîche de la pièce, loin des appareils produisant de la chaleur ou des conduits de chauffage, et à l'abri de la lumière directe du soleil.
- Laissez les aliments chauds refroidir à température ambiante avant de les placer dans l'appareil. Une surcharge de l'appareil force le compresseur à fonctionner plus. Les aliments qui gèlent trop lentement peuvent perdre de la qualité ou s'abîmer.
- Veillez à bien emballer les aliments et à essuyer les récipients avant de les placer dans l'appareil, afin de réduire la formation de givre à l'intérieur de celui-ci.
- Le bac de rangement de l'appareil ne doit pas être recouvert de papier d'aluminium, ciré ou essuie-tout. Les doublures interfèrent avec la circulation de l'air froid et le congélateur serait moins performant.
- Organisez et étiquetez les aliments pour réduire les ouvertures de porte et les recherches prolongées. Retirez autant d'objets que nécessaire à la fois et fermez la porte dès que possible.

MODE D'EMPLOI

Panneau de commande



● ATTENTION

L'image ci-dessus est donnée uniquement à titre de référence. La configuration réelle dépend du produit physique ou de la notice du distributeur.

Touche

A	Bouton alarme/arrêt/marche
---	----------------------------

Écran

1	réglage de la température 1
2	réglage de la température 2
3	réglage de la température 3
4	réglage de la température 4
5	réglage de la température 5
6	réglage de la température 6

Écran

Lorsque vous mettez le réfrigérateur sous tension, l'écran (y compris le voyant lumineux) s'allume entièrement pendant 3 secondes, puis le réfrigérateur fonctionne selon le réglage de température 4.

Affichage du fonctionnement normal

En cas de défaillance, le voyant LED correspondant affiche le code de défaillance (en affichage de recyclage) ;

S'il n'y a pas de défaillance, le voyant LED affiche le réglage de température existant.

● ATTENTION

Le panneau de commande réel peut être différent d'un modèle à l'autre.

FR

Mode d'emploi

Réglage de la vitesse

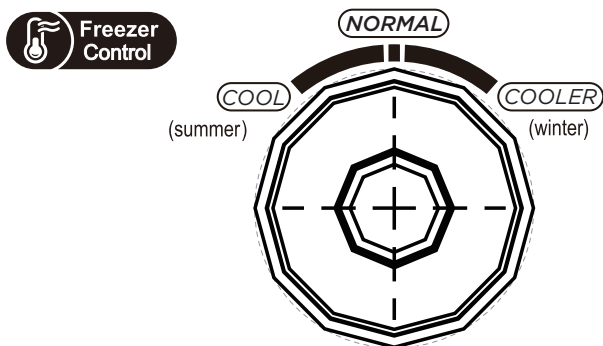
- Le réglage de la température est modifié une fois à chaque pression sur la touche SET. Ensuite, le réfrigérateur fonctionnera sous la nouvelle valeur de réglage au bout de 15 s. Réglage 1 → Réglage 2 → Réglage 3 → Réglage 4 → Réglage 5 → Réglage 6 → Réglage 1 →

Mode de refroidissement rapide :

- Entrée : Mode de refroidissement rapide avec modulation par circulation.
- Fonctionnement : Le témoin de refroidissement rapide s'allume, et le réfrigérateur fonctionne à 2° C.
- Le mode de refroidissement rapide est automatiquement désactivé pendant 24 H.
- La fonction de refroidissement rapide peut être utilisée comme fonction de super congélation.

Régulation de la température de la chambre de congélation

- La température de congélation est relativement basse en position « COOLER (PLUS FROID) », tandis que la température de congélation est relativement élevée en position « COOL (FROID) », c'est pourquoi la position « NORMAL » est généralement utilisée.
- Lorsque la température ambiante est élevée en été, la température doit être comprise entre « NORMAL » et « COOL (FROID) ». Si la température ambiante est supérieure à 35 °C, la position « COOL (FROID) » prévaut.
- Lorsque la température ambiante est basse en hiver, la température doit être comprise entre « NORMAL » et « COOLER (PLUS FROID) ». Si la température ambiante est inférieure à 10 °C, c'est la position « COOLER (PLUS FROID) » qui prévaut.



Code d'erreur

- Les avertissements suivants, qui apparaissent à l'écran, indiquent les défauts correspondants du réfrigérateur.
- Bien que le réfrigérateur puisse encore avoir une fonction de refroidissement et de congélation avec les défauts suivants, l'utilisateur doit contacter un spécialiste de la maintenance pour l'entretien, afin de garantir une utilisation normale du réfrigérateur.

Code d'erreur	Description du défaut
Les LED 1 et 2 s'allument	Circuit de la sonde de température du réfrigérateur
Les LED 1 et 3 s'allument	Sonde de dégivrage du congélateur
Les LED 1 et 4 s'allument	Sonde de température ambiante

Chambre frigorifique

- La chambre frigorifique convient au stockage d'une variété de fruits, légumes, boissons et autres aliments consommés à court terme, durée de stockage suggérée de 3 jours à 5 jours.
- Les aliments cuits ne doivent pas être placés dans la chambre frigorifique avant d'être à température ambiante.
- Il est recommandé de sceller les aliments avant de les mettre dans le congélateur.
- Les étagères en verre peuvent être ajustées vers le haut ou vers le bas à une distance raisonnable de stockage et une utilisation facile.

FR

Chambre de congélation

- La faible température de la chambre de congélation peut garder les aliments frais pendant longtemps et est principalement utilisée pour stocker les aliments surgelés et faire de la glace.
- La chambre de congélation convient au stockage de viandes, poissons, boulettes de riz et autres aliments.
- Les gros morceaux de viande doivent être divisés en petits morceaux préférablement pour une congélation rapide et un accès facile. Les aliments doivent être consommés dans le délai de conservation.

Ordre	Type de compartiment	Temp. de stockage cible [°C]	Aliments appropriés
1	Frigo	+2 - +8	Œufs, aliments cuits, aliments emballés, fruits et légumes, produits laitiers, gâteaux, boissons et autres aliments ne conviennent pas à la congélation.
2	(***)*-Congélateur	≤-18	Fruits de mer (poissons, crevettes, crustacés), produits aquatiques d'eau douce et produits à base de viande (recommandés pendant 3 mois, plus le temps de stockage est long, plus le goût devient mauvais), adaptés aux aliments frais congelés.
3	***-Congélateur	≤-18	Fruits de mer (poissons, crevettes, crustacés), produits aquatiques d'eau douce et produits à base de viande (recommandés pendant 3 mois, plus le temps de stockage est long, plus le goût devient mauvais), adaptés aux aliments frais congelés.
4	** -Congélateur	≤-12	Fruits de mer (poissons, crevettes, crustacés), produits aquatiques d'eau douce et produits à base de viande (recommandés pendant 3 mois, plus le temps de stockage est long, plus le goût devient mauvais), adaptés aux aliments frais congelés.
5	*-Congélateur	≤-6	Fruits de mer (poissons, crevettes, crustacés), produits aquatiques d'eau douce et produits à base de viande (recommandés pendant 3 mois, plus le temps de stockage est long, plus le goût devient mauvais), adaptés aux aliments frais congelés.
6	0 étoiles	-6 - 0	Porc frais, bœuf, poisson, poulet, certains aliments transformés emballés, etc. (recommandés de manger dans la même journée, de préférence pas plus de 3 jours). Aliments transformés partiellement emballés (aliments non congelables).

Ordre	Type de compartiment	Temp. de stockage cible [°C]	Aliments appropriés
7	Froid	-2 ~ +3	Porc frais/congelé, bœuf, poulet, produits aquatiques d'eau douce, etc. (7 jours en dessous de 0°C et au-dessus de 0°C recommandés pour une consommation dans la journée, de préférence pas plus de 2 jours). Fruits de mer (moins de 0 pour 15 jours), il est déconseillé de conserver au-dessus de 0°C.
8	Aliments frais	0 ~ +4	Porc frais, bœuf, poisson, poulet, plats cuisinés, etc. (recommandés de manger dans la même journée, de préférence pas plus de 3 jours)
9	Vin	+5 ~ +20	Vin rouge, vin blanc, vin mousseux, etc.

FR

 **ATTENTION**

Il faut stocker différents aliments en fonction des compartiments ou de la température cible.

NETTOYAGE ET ENTRETIEN

Nettoyage général

- La poussière derrière le congélateur et au sol doit être nettoyée en temps opportun pour améliorer l'effet de refroidissement et l'économie d'énergie.
- Vérifiez régulièrement le joint du congélateur armoire pour s'assurer qu'il n'y a pas de débris. Nettoyez le joint de la porte avec un chiffon doux imbibé d'eau savonneuse ou de détergent dilué.
- L'intérieur du congélateur doit être nettoyé régulièrement pour éviter toute odeur.
- Il faut éteindre l'appareil avant de nettoyer l'intérieur, retirer tous les aliments, boissons, étagères, tiroirs, etc.
- Utilisez un chiffon doux ou une éponge pour nettoyer l'intérieur du congélateur avec une solution de deux cuillères à soupe de bicarbonate de soude et un litre d'eau tiède. Rincez ensuite à l'eau puis essuyez. Après le nettoyage, ouvrez la porte et laissez sécher à l'air avant de brancher l'appareil.
- Pour les zones difficiles à nettoyer dans le congélateur (telles que espaces étroits, trous et coins), il est recommandé de les essuyer régulièrement avec un chiffon doux, une brosse douce, etc. et si nécessaire, combiné avec certains outils auxiliaires (tels que bout de bois mince) pour éviter toute accumulation de contaminants ou de bactéries dans ces zones.
- N'utilisez pas de savon, détergent, poudre à récurer, nettoyant en vaporisateur, etc., car ils peuvent laisser des odeurs à l'intérieur du congélateur ou des aliments contaminés.
- Nettoyez les bouteilles, étagères et tiroirs avec un chiffon doux imbibé d'eau savonneuse ou de détergent dilué. Séchez avec un chiffon doux ou laissez sécher naturellement.
- Nettoyez la surface extérieure du réfrigérateur avec un chiffon doux imbibé d'eau savonneuse ou de détergent, puis l'essuyez.
- N'utilisez pas de brosses dures, de billes de nettoyage en acier, de brosses métalliques, d'abrasifs (tels que dentifrice), de solvants organiques (tels qu'alcool, acétone, huile de banane, etc.), de l'eau bouillante, des produits acides ou alcalins, qui peuvent endommager la surface et l'intérieur du congélateur. L'eau bouillante et les solvants organiques tels que le benzène peuvent déformer ou endommager les pièces en plastique.
- Ne rincez pas directement avec de l'eau ou d'autres liquides pendant le nettoyage pour éviter les courts-circuits ou affecter l'isolation électrique après immersion.

ATTENTION

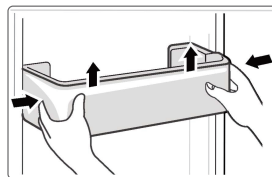
Il faut débrancher le congélateur avant la décongélation et le nettoyage.

Décongélation

- Le réfrigérateur est fabriqué selon le principe de refroidissement par air et dispose donc d'une fonction de dégivrage automatique. Le givre formé en raison du changement de saison ou de température peut également être éliminé manuellement en débranchant l'appareil ou en l'essuyant avec une serviette sèche.

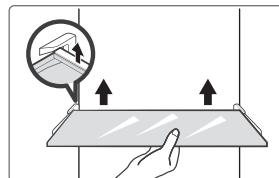
Nettoyage du plateau de porte

- Selon la flèche de direction dans la figure ci-dessous, utilisez les deux mains pour presser le plateau et poussez-le vers le haut pour pouvoir le sortir par la suite.
- Après avoir lavé le casier retiré, vous pouvez ajuster sa hauteur en fonction de vos besoins.



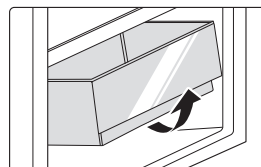
Nettoyage de l'étagère en verre

- Comme la partie la plus interne de la cuve du réfrigérateur, où se trouvent les étagères, est dotée d'une butée arrière, vous devez soulever les étagères vers le haut pour pouvoir les retirer.
- Ajustez ou nettoyez les étagères en fonction de vos besoins.



Nettoyage du bac à légumes

1. Retirez le contenu du bac. Tenez la poignée du bac à légumes et tirez complètement jusqu'à ce qu'il s'arrête.
2. Soulevez le bac à légumes et le retirer en le tirant vers l'extérieur.



FR

Hors service

Panne de courant :

En cas de panne de courant, même en été, les aliments à l'intérieur de l'appareil peuvent être conservés plusieurs heures ; pendant la panne de courant, les heures d'ouverture de la porte doivent être réduites et aucun aliment frais ne doit plus être mis dans l'appareil.

Longue période de non utilisation :

L'appareil doit être débranché et nettoyé ; laissez les portes ouvertes pour éviter les odeurs.

Déplacement :

Avant de déplacer le réfrigérateur, mettez tous les objets à l'envers, fixez les cloisons en verre, le bac à légumes, les tiroirs de la chambre de congélation, etc. avec du ruban adhésif, et serrez les pieds de nivellement ; fermez les portes et les fixer avec du ruban adhésif. Pendant le déplacement, l'appareil ne doit pas être posé à l'envers ou horizontalement ni être soumis à des vibrations ; l'inclinaison pendant le mouvement ne doit pas dépasser 45°.

● ATTENTION

Une fois mis en marche, l'appareil doit fonctionner en continu. En règle générale, le fonctionnement de l'appareil ne doit pas être interrompu ; autrement sa durée de vie peut être réduite.

DÉPANNAGE

Les problèmes simples suivants peuvent être traités par l'utilisateur. Appelez le service après-vente si ces problèmes ne sont pas réglés.

Problème	Cause possible
Échec de l'opération	• Vérifiez si l'appareil est branché au secteur ou si la fiche est bien en contact
	• Vérifiez si la tension est trop basse
Odeur	• Vérifiez s'il y a une panne de courant ou des circuits partiels se sont déclenchés
	• Les aliments susceptibles d'émettre des odeurs doivent être bien enveloppés
	• Vérifiez s'il y a des aliments pourris
Compresseur fonctionnant pendant une longue période	• Nettoyez l'intérieur du réfrigérateur
	• Un long fonctionnement du réfrigérateur est normal en été
	• Lorsque la température ambiante est élevée, il n'est pas recommandé d'avoir trop d'aliments dans l'appareil en même temps
	• Les aliments doivent refroidir avant d'être mis dans l'appareil
La lumière ne s'allume pas	• Les portes sont ouvertes trop fréquemment
	• Vérifiez si le réfrigérateur est branché à l'alimentation électrique et si la lumière est endommagée
La porte du réfrigérateur ne peut pas être correctement fermée.	• Faites remplacer la lumière par un professionnel
	• La porte est coincée par des aliments. Trop d'aliments sont placés
Bruits forts	• Le réfrigérateur est incliné.
	• Vérifiez si le sol est bien horizontal et si le réfrigérateur est placé de manière stable
	• Vérifiez si les accessoires sont placés aux bons endroits

Problème	Cause possible
Le joint de la porte n'est pas serré.	<ul style="list-style-type: none"> • Éliminez tout corps étranger sur le joint de la porte • Chauffez le joint de la porte, puis le refroidir pour le restaurer (ou soufflez dessus avec un séchoir électrique ou utilisez une serviette chaude)
Débordement du bac à eau	<ul style="list-style-type: none"> • Il y a trop d'aliments dans la chambre ou les aliments stockés contiennent trop d'eau, cela entraîne une forte décongélation • Les portes ne sont pas fermées correctement, cela entraîne un dégivrage dû à l'entrée d'air et une augmentation d'eau
Boîtier chaud	<ul style="list-style-type: none"> • La dissipation de la chaleur du condenseur intégré via le boîtier est normale. Lorsque le boîtier devient chaud en raison d'une température ambiante élevée, du stockage d'une trop grande quantité d'aliments ou de l'arrêt du compresseur, il faut prévoir une bonne ventilation pour faciliter la dissipation de la chaleur.
Condensation de surface	<ul style="list-style-type: none"> • La condensation sur la surface extérieure et les joints de porte du réfrigérateur est normale lorsque l'humidité ambiante est trop élevée. Il suffit d'essuyer la condensation avec une serviette propre.
Bruit anormal	<ul style="list-style-type: none"> • Vrombissement : Le compresseur peut produire des vrombissements qui sont forts en particulier au démarrage ou à l'arrêt. C'est normal. • Craquements : Le fluide frigorigène qui circule à l'intérieur de l'appareil peut produire des craquements, ce qui est normal.

ANNEXE

Spécial pour la nouvelle norme européenne

Les pièces commandées dans le tableau suivant peuvent être acquises auprès d'un canal de fournisseur de services.

Pièce commandée	Fourni par	Temps minimum requis pour la fourniture
Thermostats	Personnel professionnel de maintenance	Au moins 7 ans après le lancement du dernier modèle sur le marché
Capteurs de température	Personnel professionnel de maintenance	Au moins 7 ans après le lancement du dernier modèle sur le marché
Cartes de circuit imprimé	Personnel professionnel de maintenance	Au moins 7 ans après le lancement du dernier modèle sur le marché
Sources de lumière	Personnel professionnel de maintenance	Au moins 7 ans après le lancement du dernier modèle sur le marché
Poignées de porte	Réparateurs professionnels et utilisateurs	Au moins 7 ans après le lancement du dernier modèle sur le marché
Charnières de porte	Réparateurs professionnels et utilisateurs	Au moins 7 ans après le lancement du dernier modèle sur le marché
Tiroirs	Réparateurs professionnels et utilisateurs	Au moins 7 ans après le lancement du dernier modèle sur le marché
Paniers	Réparateurs professionnels et utilisateurs	Au moins 7 ans après le lancement du dernier modèle sur le marché
Joint de porte	Réparateurs professionnels et utilisateurs	Au moins 10 ans après le lancement du dernier modèle sur le marché

Chère cliente

1. Pour retourner ou remplacer le produit, il faut d'abord contacter le magasin où vous l'avez acheté.
(N'oubliez pas de joindre la facture d'achat)
2. Si votre produit tombe en panne et doit être réparé, il faut contacter le service après-vente.

ATTENTION

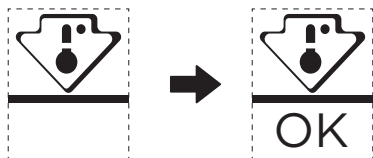
Les informations sur le modèle dans la base de données des produits, ainsi que l'identificateur du modèle, peuvent être obtenues au moyen d'un lien web scanné par code QR, le cas échéant, sur l'étiquette d'efficacité énergétique du produit.

Pour plus d'informations sur l'efficacité énergétique de l'appareil, consultez le site <https://ec.europa.eu> et effectuez une recherche en utilisant le nom du modèle. Le nom du modèle se trouve sur l'étiquette signalétique de l'appareil.

Zone la plus froide du réfrigérateur

EN OPTION : OK-indicateur de température

- L'indicateur de température OK peut être utilisé pour déterminer des températures inférieures à +4 °C. Réduisez progressivement la température si le signe n'indique pas « OK ».



- Pour garantir la température dans cette zone, ne changez pas l'emplacement de l'étagère. Dans les réfrigérateurs à air forcé (équipés d'un ventilateur ou modèles Pas de gel), le symbole de la zone la plus froide n'est pas représenté car la température à l'intérieur est homogène.

Réglage de l'indicateur de température

- Pour vous aider à bien régler votre réfrigérateur, celui-ci est équipé d'un indicateur de température qui surveille la température moyenne dans la zone la plus froide.
- **AVERTISSEMENT** : cet indicateur ne fonctionne qu'avec votre réfrigérateur, ne l'utilisez pas dans un autre réfrigérateur (en effet, la zone la plus froide n'est pas la même), ou pour autre chose.

Vérification de la température dans la zone la plus froide

- Grâce à l'indicateur de température, vous pouvez vérifier régulièrement que la température de la zone la plus froide est correcte. En effet, la température interne du réfrigérateur dépend de plusieurs facteurs tels que la température ambiante de la pièce, la quantité d'aliments stockés et la fréquence d'ouverture des portes. Il faut tenir compte de ces facteurs lors du réglage du réfrigérateur.
- Lorsque l'indicateur affiche « OK », cela signifie que le thermostat est bien réglé et que la température intérieure est correcte.
- Si l'indicateur de température devient BLANC, cela signifie que la température est trop élevée, dans ce cas, augmentez le réglage de la température et patientez 12 heures avant d'effectuer une nouvelle inspection visuelle de l'indicateur. Lorsque des aliments frais ont été introduits ou que la porte a été laissée ouverte, il est possible que l'indicateur de température devienne BLANC au bout d'un certain temps.

DANKE

Vielen Dank, dass Sie sich für Midea entschieden haben! Bevor Sie Ihr neues Midea-Produkt in Betrieb nehmen, lesen Sie bitte dieses Handbuch aufmerksam durch, damit Sie wissen, wie Sie die Funktionen Ihres neuen Geräts auf sichere Weise nutzen können.

INHALTSVERZEICHNIS

DANKE	01
SPEZIFIKATION	02
PRODUKTÜBERSICHT	03
PRODUKTINSTALLATION	04
BEDIENUNGSANWEISUNGEN	11
REINIGUNG UND PFLEGE	16
FEHLERBEHEBUNG	19
ANHANG	21

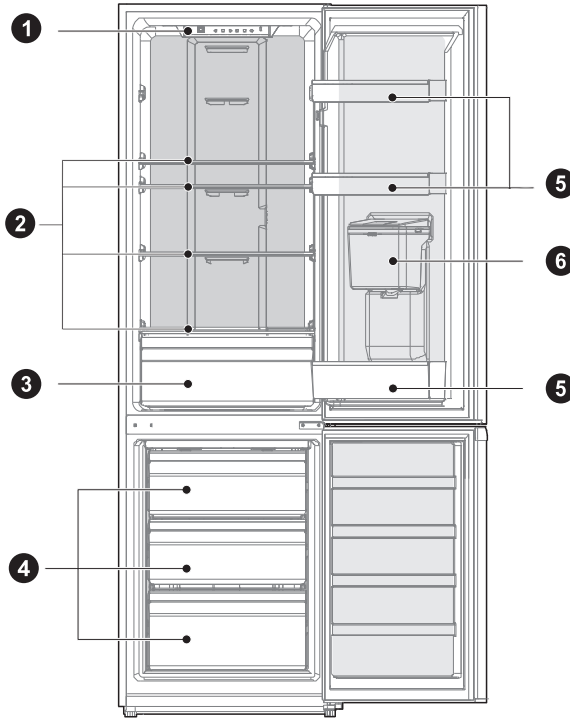
SPEZIFIKATION

Produktmodell	MDRB380FGE SERIES
Fassungsvermögen des Frischkostfaches	199 L
Fassungsvermögen des Gefrierkostfaches	71 L
Abtautyp	Automatisches Abtauen
Temperaturanstiegszeit	7 h
Gefrierkapazität	3.5 kg/24h
Nennspannung	220-240 V-
Nennstrom	0.6 A
Gesamtabmessung (H x B x T)	1800 x 545 x 625 mm

DE

PRODUKTÜBERSICHT

Komponentenbezeichnung



1 LED-Beleuchtung

2 Ablagefach

3 Obst- und Gemüsefach

4 Schubfach

5 Türablage

6 Wasserspender (optional)

ACHTUNG

Die vorstehende Abbildung dient lediglich als Referenz. Die vorhandene Konfiguration ist vom tatsächlichen Produkt oder den Angaben des Lieferanten abhängig.

PRODUKTINSTALLATION

Installationsanleitung

Für Kühlgeräte mit Klimaklasse

- In Abhängigkeit von der Klimaklasse ist diese Gefriertruhe für den Einsatz in dem Temperaturbereich bestimmt, der in nachstehender Tabelle angegeben ist.
- Die Klimaklasse finden Sie auf dem Typenschild. Außerhalb des angegebenen Temperaturbereiches arbeitet das Gerät u. U. nicht ordnungsgemäß.
- Die Klimaklasse finden Sie auf dem Typenschild des Produkts.

Effektiver Temperaturbereich

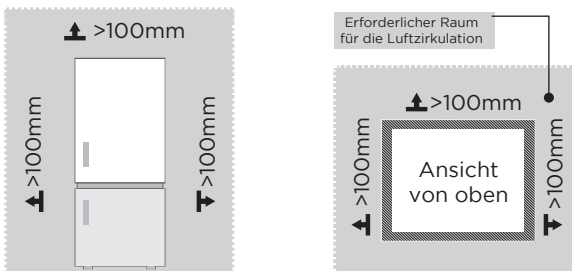
- Das Produkt wurde entwickelt, um in dem bei seiner Klimaklasse angegebenen Temperaturbereich normal zu arbeiten.

Klasse	Symbol	Umgebungstemperaturbereich °C	
		IEC 62552 (ISO 15502)	ISO 8561
Kaltgemäßigt	SN	+10 bis +32	+10 bis +32
Kühlgemäßigt	N	+16 bis +32	+16 bis +32
Subtropisch	ST	+16 bis +38	+18 bis +38
Tropisch	T	+16 bis +43	+18 bis +43

DE

Abmessungen und Freiräume

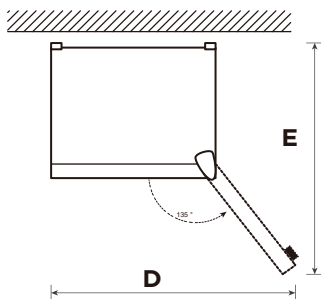
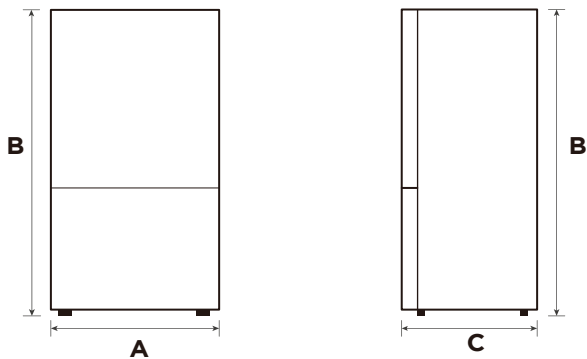
- Ein zu geringer Abstand zu benachbarten Objekten kann zu einer Verschlechterung der Gefrierleistung und erhöhten Stromkosten führen. Lassen Sie bei der Installation des Geräts einen Abstand von mind. 100 mm zu jeder angrenzenden Wand.



⚠ ACHTUNG

Die vorstehende Abbildung dient lediglich als Referenz. Die vorhandene Konfiguration ist vom tatsächlichen Produkt oder den Angaben des Lieferanten abhängig.

Platzbedarfsdiagramm (bei geöffneter und bei geschlossener Tür)



DE

Breite	Gesamthöhe	Tiefe	Breite bei zu 135° geöffneten Türen	Tiefe bei zu 135° geöffneten Türen
A	B	C	D	E
545	1800	625	820	1070

Hinweis: Alle Abmessungen in mm



Nivellierfüße

Um Vibrationen zu vermeiden, muss das Gerät nivelliert werden.

Falls erforderlich, passen Sie die Nivellierschrauben an, um Bodenunebenheiten auszugleichen.

Die Vorderseite sollte etwas höher als die Rückseite sein, um das Schließen der Tür zu erleichtern.

Die Nivellierschrauben lassen sich durch leichtes Kippen des Kühlschranks leicht drehen.

Drehen Sie die Nivellierschrauben gegen den Uhrzeigersinn , um das Gerät anzuheben, und im Uhrzeigersinn , um es abzusenken.

Bewegen des Geräts

1. Bevor das Gefriergerät transportiert wird, nehmen Sie alle Gegenstände im Inneren heraus und ziehen Sie den Netzstecker.
2. Befestigen Sie die Glastrennwände, den Gemüsehalter, die Gefrierfachschubladen usw. mit Klebeband und ziehen Sie die Stellfüße fest; schließen Sie die Türen und versiegeln Sie sie mit Klebeband.
3. Das Gerät sollte vorsichtig und von nicht weniger als zwei Personen bewegt werden. Während des Transports darf das Gerät weder kopfüber stehen noch horizontal liegen oder Vibrationen ausgesetzt werden. Die Neigung während des Transports darf 45° nicht überschreiten. .
4. Schließen Sie nach der Installation des Geräts den Netzstecker an eine Steckdose an, um das Gerät einzuschalten.

ACHTUNG

Sicherheitsmaßnahmen vor der Inbetriebnahme:

Vor der Durchführung von Änderungen muss der Kühlschrank vom Stromnetz getrennt werden.

Es sollten Vorsichtsmaßnahmen getroffen werden, um Personenschäden zu vermeiden.

Aufstellen

- Entfernen Sie vor der Erstbenutzung des Kühlschranks jegliches Verpackungsmaterial einschließlich der unteren Dämpfung, der Schaumstoffpads und des Klebebandes im Inneren des Kühlschranks und ziehen Sie dann die Schutzfolie der Türen und des Kühlschrankgehäuses ab.
- Stellen Sie die Gefriertruhe fern von Hitze oder direkter Sonneneinstrahlung auf. Stellen Sie die Gefriertruhe nicht an feuchten oder nassen Orten auf, um Rost oder eine Verminderung der isolierenden Wirkung zu vermeiden.
- Sprühen oder waschen Sie den Kühlschrank nicht ab; stellen Sie den Kühlschrank nicht an Plätzen mit hoher Luftfeuchtigkeit und auch dort nicht auf, wo er leicht Spritzwasser ausgesetzt sein kann, um nicht die elektrischen Isolationseigenschaften des Kühlschranks zu gefährden.
- Stellen Sie den Kühlschrank in einem gut belüfteten Raum auf, in dem der Boden eben und stabil ist (drehen Sie die Nivellierfüße in oder gegen Uhrzeigersinn, um den Kühlschrank auszunivellieren, wenn er unstabil stehen sollte).

Rechts-Links-Wechsel der Tür (optional)

Je nach dem Ort, an dem Sie Ihren Kühlschrank in Betrieb nehmen möchten, kann es für Sie günstiger sein, die Öffnungsrichtung der Tür zu wechseln.

ACHTUNG

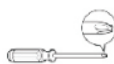
VORSICHT: Um Verletzungen oder Sachschäden zu vermeiden, empfehlen wir, dass Ihnen jemand beim Wechseln des Türanschlags hilft.

Vorbereiten für das Wechseln der Öffnungsrichtung der Tür

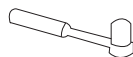
Sie benötigen dazu: Einen Standardschraubendreher, einen Kreuzschlitzschraubendreher und den mitgelieferten Inbusschlüssel.

- Vergewissern Sie sich, dass Ihr Kühlschrank von der Stromquelle getrennt und leer ist.
- Lassen Sie sich bei diesem Vorgang von jemandem helfen.
- Bewahren Sie alle entfernten Teile auf, um sie später wieder zu verwenden.

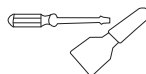
Für den Wechsel des Türanschlags benötigte Werkzeuge:



Kreuzschraubendreher



5/16"-Nuss und Ratsche



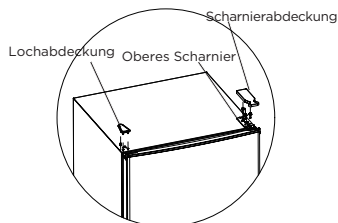
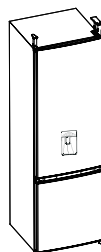
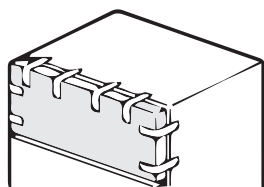
Kittmesser
Schraubendreher mit dünner Klinge



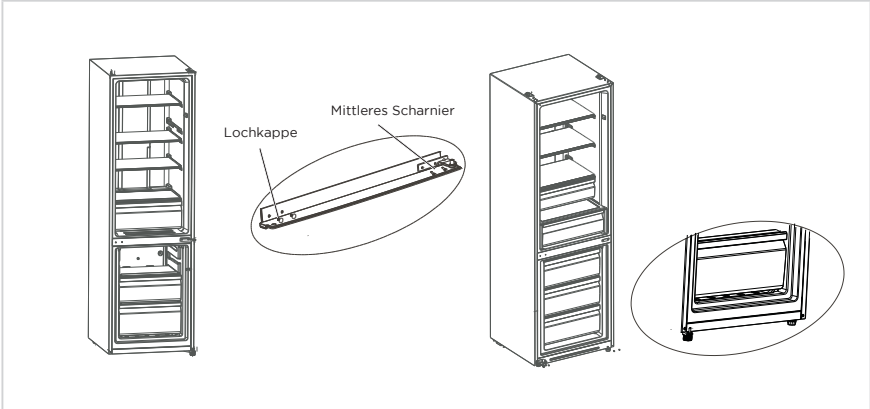
Abdeckband

Schritt

1. Bitte schalten Sie das Gerät aus, bevor Sie diesen Vorgang durchführen. Entfernen Sie alle Lebensmittel aus den Türinnenregalen. Verschießen Sie die Tür mit Klebeband.
2. Demontieren Sie die Lochabdeckung, die Scharnierabdeckung und das obere Scharnier.

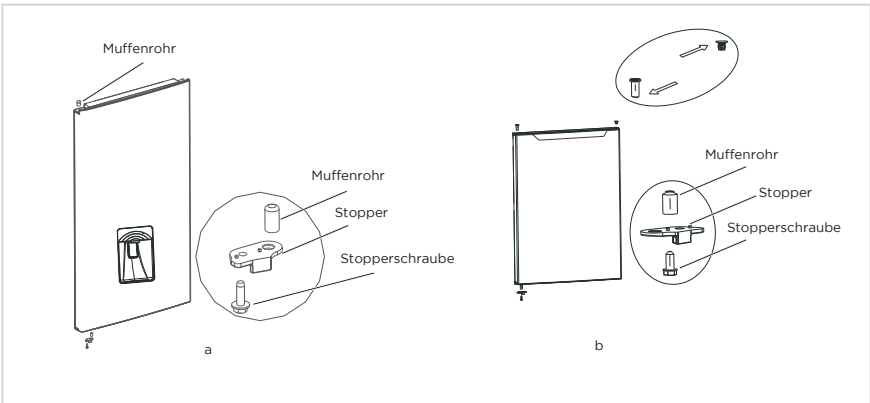


3. Nehmen Sie die Kühlkammertür, das mittlere Scharnier (verwenden Sie einen Inbusschlüssel, um die mittlere Scharnierschraube zu entfernen) und die Lochkappe der anderen Seite ab.
4. Nehmen Sie die Gefrierkammertür ab, demontieren Sie das untere Scharnier, die Lochkappen und den Nivellierfuß und montieren Sie das untere Scharnier auf der anderen Seite.



DE

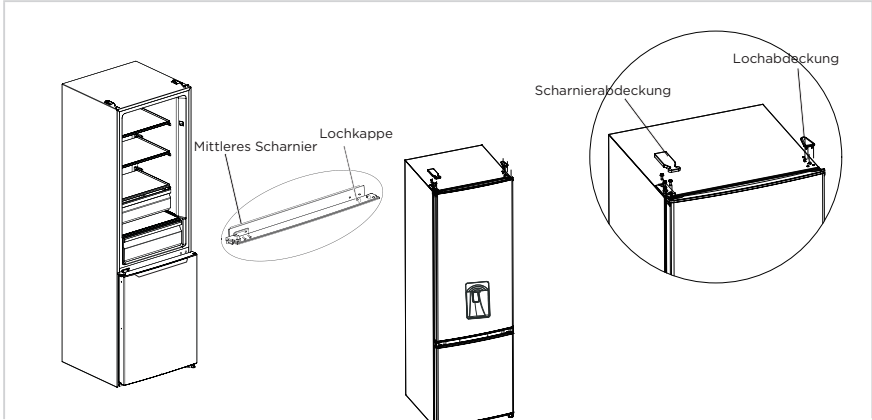
5. a) Demontieren Sie den Stopper, das Muffenrohr der Kühlkammertür und montieren Sie das Muffenrohr und den Stopper mit der Schraube unten links an der Tür.
- b) Demontieren Sie den Stopper und das Muffenrohr von der rechten Seite der Gefrierkammertür, montieren Sie das Muffenrohr und den Stopper unten links an der Tür mit einer Schraube. Nehmen Sie das Muffenrohr und die Lochkappen an der Gefrierkammertür ab und montieren Sie es auf der anderen Seite.



6. Setzen Sie die Gefrierkammertür auf das untere Scharnier und montieren Sie das mittlere Scharnier sowie die Lochkappen.
7. Setzen Sie die Kühlkammertür auf das mittlere Scharnier und montieren Sie das obere Scharnier und die Scharnierabdeckung.

8. Setzen Sie die Kühlkammertür auf das mittlere Scharnier und montieren Sie das obere Scharnier und die Scharnierabdeckung.

Vor der Montage der oberen Scharnierabdeckung muss Folgendes überprüft werden. Die Schrauben, die das Scharnier halten, sollten fest gegen die Scharnieroberfläche gedrückt werden, um sicherzustellen, dass die Schraube nicht verbogen wird.

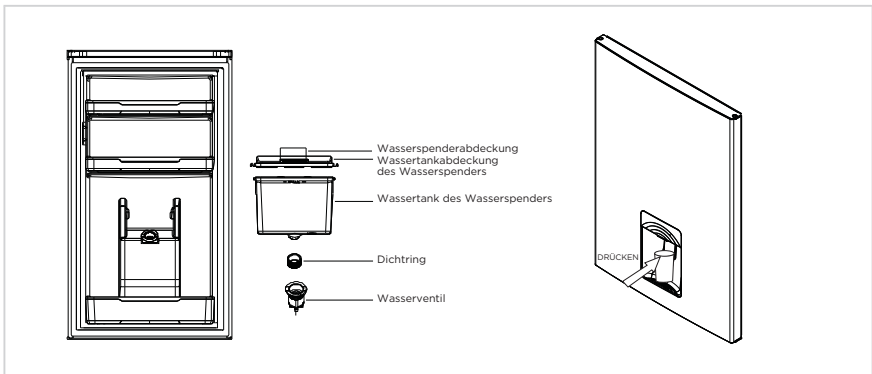


⚠ ACHTUNG

Die vorstehende Abbildung dient lediglich als Referenz. Die vorhandene Konfiguration ist vom tatsächlichen Produkt oder den Angaben des Lieferanten abhängig.

Verwendung des Wasserspenders (optional)

1. Öffnen Sie zuerst den Wassereinfülldeckel und füllen Sie anschließend bis zur Markierung „MAX“ (max. Wassermenge) Trinkwasser auf.
2. Mithilfe des Bechers drücken Sie den Auslöser nach innen, woraufhin Wasser herausfließt. Der sich der Auslöser wieder in seiner ursprünglichen Position befindet, fließt kein Wasser mehr.
3. Der Wasserspender kann nur für sauberes Wasser verwendet werden und ist für Getränke oder Fruchtsäfte nicht geeignet.

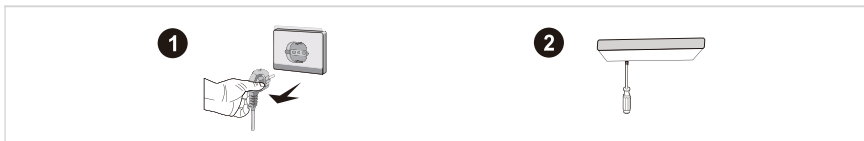


Ändern der Beleuchtung

- Der Austausch oder die Wartung aller LED-Lampen muss vom Hersteller, seinem Kundendienst oder einer ähnlich qualifizierten Person durchgeführt werden. Dieses Produkt enthält eine Lichtquelle der Energieeffizienzklasse <F>.

Schritt

1. Ziehen Sie vor dem Entfernen den Stecker.
2. Entfernen Sie den Lampenschirm mit einem Schraubendreher.



3. Nehmen Sie den Lampensockel herunter.
4. Trennen Sie die Steckverbindung.



Anschließen des Geräts

Lassen Sie den Kühlschrank zwei Stunden ausgeschaltet stehen, bevor Sie ihn am Stromnetz anschließen.

⚠ ACHTUNG

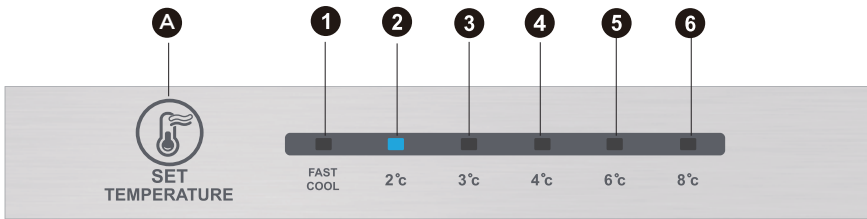
Der Kühlschrank muss 2 - 3 Stunden und im Sommer bei hohen Umgebungstemperaturen mindestens 4 Stunden laufen, bevor Sie frische oder gefrorene Lebensmittel in den Kühlschrank legen/stellen können.

Tipps zum Energiesparen

- Das Gerät sollte im kühlestem Bereich des Raumes fern von wärmeerzeugenden Geräten, Wärmeleitungen und direkter Sonneneinstrahlung aufgestellt werden.
- Lassen Sie heiße Nahrungsmittel erst auf Zimmertemperatur abkühlen, bevor Sie sie in das Kühlgerät stellen. Durch Überladen des Kühlgeräts wird der Kompressor gezwungen, länger zu laufen. Nahrungsmittel, die zu langsam gefrieren, können an Qualität einbüßen oder sogar verderben.
- Stellen Sie sicher, dass Sie die Lebensmittel richtig einpacken und die Behälter trocken wischen, bevor Sie sie in das Gerät stellen, um die Bildung von Frost im Inneren des Geräts zu vermeiden.
- Das Innere oder Körbe dürfen nicht mit Aluminiumfolie, Wachspapier oder Papierhandtüchern ausgekleidet werden. Durch Abdecken wird die Kaltluftzirkulation behindert, wodurch die Effizienz des Kühlgeräts sinkt.
- Ordnen und beschriften Sie die Nahrungsmittel, um einem unnötig Öffnen der Tür und einem zu langen Suchen im Kühlgerät entgegenzuwirken. Nehmen Sie pro Türöffnung nur die wirklich benötigte Menge an Nahrungsmitteln heraus und schließen Sie anschließend so schnell wie möglich die Tür wieder.

BEDIENUNGSANWEISUNGEN

Bedienfeld



⚠ ACHTUNG

Die vorstehende Abbildung dient lediglich als Referenz. Die vorhandene Konfiguration ist vom tatsächlichen Produkt oder den Angaben des Lieferanten abhängig.

Taste

A Alarm-/Ausschalt-/Einschalttaste

Displayanzeige

1	Temperatureinstellung 1
2	Temperatureinstellung 2
3	Temperatureinstellung 3
4	Temperatureinstellung 4
5	Temperatureinstellung 5
6	Temperatureinstellung 6

Display

Beim Einschalten des Kühlschranks leuchtet die Anzeige (einschließlich der Tastenbeleuchtung) 3 Sekunden vollständig auf, dann läuft der Kühlschrank entsprechend der Temperatureinstellung 4.

Anzeige des Normalbetriebs

Bei Auftreten eines Fehlers zeigt die entsprechende LED-Leuchte den Fehlercode (in der Recycling-Anzeige) an;

Liegt kein Fehler vor, zeigt die LED-Leuchte die aktuelle Temperatureinstellung an.

⚠ ACHTUNG

Das tatsächliche Bedienfeld kann sich von Modell zu Modell unterscheiden.

Betriebsanleitung

Stufeneinstellung

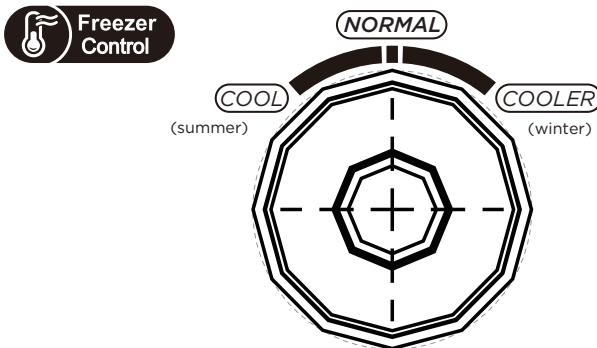
- Die Temperatureinstellung wird jedes Mal einmal geändert, wenn Sie die Taste SET drücken. Nach 15 Sekunden läuft der Kühlschrank dann unter den neuen Einstellungswerten. Setting 1 (Einstellung 1) → Setting 2 (Einstellung 2) → Setting 3 (Einstellung 3) → Setting 4 (Einstellung 4) → Setting 5 (Einstellung 5) → Setting 6 (Einstellung 6) → Setting 1 (Einstellung 1) →

Schockkühlmodus:

- Wechseln in diesen Modus: Zirkulationsmodulation im Schnellkühlbetrieb.
- Betrieb: Die Anzeige für die Schnellkühlung leuchtet auf, und der Kühlschrank arbeitet mit 2°C.
- Der Schnellkühlmodus wird automatisch für 24 Stunden deaktiviert.
- Die Schnellkühlfunktion kann als Super-Gefrierfunktion verwendet werden.

Temperaturregelung des Gefrierraums

- Die Gefriertemperatur ist in der Stellung „COOLER“ („KÜHLER“) relativ niedrig, während die Gefriertemperatur in der Stellung „COOL“ („KÜHL“) relativ hoch ist, daher wird im Allgemeinen die Stellung „NORMAL“ verwendet.
- Wenn die Umgebungstemperatur im Sommer hoch ist, sollte die Temperatur im Bereich von „NORMAL“ bis „COOL“ („KÜHL“) liegen. Liegt die Umgebungstemperatur über 35 °C, sollte man die Stellung „COOL“ („KÜHL“) vorziehen.
- Wenn die Umgebungstemperatur im Winter niedrig ist, sollte die Temperatur im Bereich von „NORMAL“ bis „COOLER“ („KÜHLER“) liegen. Liegt die Umgebungstemperatur unter 10 °C, sollte man die ist Stellung „COOLER“ („KÜHLER“) vorziehen.



Fehlercode

- Die auf dem Display angezeigten Warnungen weisen Sie auf Fehler des Kühlschranks hin.
- Auch wenn der Kühlschrank noch seine Kühl- oder Gefrierfunktion besitzt, müssen Sie sich beim Auftreten eines Fehlers mit einem/-r Servicetechniker/-in zwecks Wartung/Instandsetzung in Verbindung setzen, um den optimierten Betrieb des Kühlschranks sicherstellen zu können.

Fehlercode	Fehlerbeschreibung
LED 1 und LED 2 leuchten	Kühlschranktemperatursensor
LED 1 und LED 3 leuchten	Tiefkühlschrankabtausensor
LED 1 und LED 4 leuchten	Umgebungstemperatursensor

Kühlbereich

- Der Kühlbereich eignet sich für die Aufbewahrung von Obst, Gemüse, Getränken und anderen Lebensmitteln, die kurzfristig verbraucht werden. Die empfohlene Aufbewahrungsdauer beträgt 3 bis 5 Tage.
- Zubereitete Lebensmittel dürfen erst dann in den Kühlbereich gestellt/gelegt werden, nachdem Sie auf Zimmertemperatur abgekühlt sind.
- Früchte sollten mit Folie abgedeckt/umwickelt werden, bevor Sie in den Kühlschrank gelegt/gestellt werden.
- Die Glasablagefächer können in der Höhe nach oben und unten hin an die aufzubewahrenden Nahrungsmittel angepasst werden.

Gefrierschubfach

- Im Gefrierschubfach können Sie Lebensmittel für lange Zeit frisch halten. Es wird hauptsächlich für die Aufbewahrung von Gefriergut sowie zur Eisherstellung verwendet.
- Das Gefrierschubfach ist für die Aufbewahrung von Nahrungsmitteln wie beispielsweise Fleisch, Fisch, Reisbällchen usw. geeignet, die nicht in kurzer Zeit verbraucht werden.
- Größere Fleischstücke sollten dabei für schnelles gefrieren und einfache Entnehmbarkeit in kleine handliche Portionen zerteilt werden. Beachten Sie, dass Lebensmittel vor dem Verfalldatum verzehrt werden müssen.

Reihenfolge	Fächer TYP	Zieltemp. [°C]	Geeignete Lebensmittel
1	Kühlschrank	+2 ~ +8	Eier, gekochte Lebensmittel, verpackte Lebensmittel, Obst und Gemüse, Milchprodukte, Kuchen, Getränke und andere Lebensmittel eignen sich nicht als Gefrierkost.
2	(***)*-Tiefkühlschrank	≤-18	Meeresfrüchte (Fisch, Garnelen, Schalentiere), Süßwasserprodukte und Fleischprodukte (empfohlen für 3 Monate, je länger gelagert, desto schlechter der Geschmack und der Nährwert), eignen sich als gefrorene Frischkost.
3	***-Tiefkühlschrank	≤-18	Meeresfrüchte (Fisch, Garnelen, Schalentiere), Süßwasserprodukte und Fleischprodukte (empfohlen für 3 Monate, je länger gelagert, desto schlechter der Geschmack und der Nährwert), eignen sich als gefrorene Frischkost.
4	**-Tiefkühlschrank	≤-12	Meeresfrüchte (Fisch, Garnelen, Schalentiere), Süßwasserprodukte und Fleischprodukte (empfohlen für 3 Monate, je länger gelagert, desto schlechter der Geschmack und der Nährwert), eignen sich als gefrorene Frischkost.
5	*-Tiefkühlschrank	≤-6	Meeresfrüchte (Fisch, Garnelen, Schalentiere), Süßwasserprodukte und Fleischprodukte (empfohlen für 3 Monate, je länger gelagert, desto schlechter der Geschmack und der Nährwert), eignen sich als gefrorene Frischkost.
6	0 Sterne	-6 ~ 0	Frisches Schweine-, Rind- und Hühnerfleisch, Fisch, einige verpackte verarbeitete Lebensmittel usw. (Es wird empfohlen, diese am selben Tag zu verzehren, vorzugsweise nicht später als nach 3 Tagen). Teilweise eingekapselte verarbeitete Lebensmittel (nicht gefrierbare Lebensmittel).

Reihenfolge	Fächer TYP	Zieltemp. [°C]	Geeignete Lebensmittel
7	Kühlen	-2 - +3	Frisches / gefrorenes Schweine-, Rind- und Hühnerfleisch, Süßwasserprodukte, usw. (7 Tage unter 0 °C und über 0 °C wird für den Verzehr am selben Tages empfohlen, vorzugsweise nicht später als nach 2 Tagen). Meeresfrüchte (weniger als 0 für 15 Tage, es wird nicht empfohlen, sie über 0 °C zu lagern).
8	Frischkost	0 - +4	Frisches Schweine-, Rind- und Hühnerfleisch, Fisch, gekochte, Lebensmittel usw. (Es wird empfohlen, diese am selben Tag zu verzehren, vorzugsweise nicht später als nach 3 Tagen).
9	Wein	+5 - +20	Rotwein, Weißwein, Sekt, usw.

 **ACHTUNG**

Bitte lagern Sie die verschiedenen Lebensmittel den Fächern entsprechend oder der angestrebten Lagertemperatur des gekauften Produkts.

DE

REINIGUNG UND PFLEGE

Gesamtreinigung

- Staub hinter dem Kühlschrank und auf dem Boden muss regelmäßig entfernt werden, um den Kühleffekt effizient zu halten und Energie zu sparen.
- Überprüfen Sie regelmäßig die Türdichtung, um sicherzustellen, dass Sie nicht verschmutzt ist. Reinigen Sie die Türdichtung mit einem weichen, mit Seifenlauge oder verdünntem Reinigungsmittel angefeuchteten Tuch.
- Der Innenraum des Kühlschranks sollte regelmäßig gereinigt werden, um der Geruchsentwicklung vorzubeugen.
- Bitte schalten Sie den Kühlschrank aus, bevor Sie alle Nahrungsmittel, Getränke, Ablagefächer, Einschübe usw. herausnehmen und den Kühlschrank reinigen.
- Benutzen Sie ein weiches Tuch oder einen weichen Schwamm zusammen mit in 1 Liter Wasser gelösten 2 TL Backpulver, um den Kühlschrankinnenraum zu reinigen. Spülen Sie sie dann mit Wasser ab und wischen Sie sie anschließend trocken. Öffnen Sie nach der Reinigung die Gerätetür, damit der Innenraum auf natürliche Weise trocknen kann, bevor Sie das Gerät wieder am Stromnetz anschließen.
- Für die schwer zu reinigenden Bereiche des Kühlschranks (wie z. B. Einengungen, Zwischenräume oder Ecken) ist es empfehlenswert, sie mit einem weichen Lappen, einer weichen Bürste o. ä. zu reinigen. Setzen Sie sie bei Bedarf in Kombination mit weiteren zusätzlichen Hilfsmitteln (wie z. B. dünne Stäbchen) ein, um sicherzustellen, dass sich in diesen Bereichen keine Verschmutzungen oder Bakterien ansammeln.
- Verwenden Sie weder Seife, Spülmittel, Reinigungspulver, Reinigungssprays usw., weil diese im Innenraum des Kühlschranks Gerüche verursachen oder Nahrungsmittel verunreinigen können.
- Reinigen Sie die Flaschenfächer, Ablagefächer und Einschübe mit einem weichen, mit Seifenlauge oder verdünntem Reinigungsmittel angefeuchteten Tuch. Wischen Sie sie anschließend mit einem weichen Tuch trocken oder lassen Sie sie auf natürliche Weise trocknen.
- Wischen Sie die Außenseite des Kühlschranks mit einem weichen Tuch ab, das mit einer Seifenlösung, einem Reinigungsmittel usw. benetzt wurde und wischen Sie ihn anschließend trocken.
- Verwenden Sie für die Reinigung des Kühlschranks keine harten Bürsten, Stahltopfreiniger, Drahtbürsten, Scheuermittel (wie beispielsweise Zahnpasta), organische Reinigungsmittel (wie beispielsweise Alkohol, Aceton, Bananenöl usw.), kochendes Wasser oder saure/basische Mittel, weil diese die Oberfläche und/oder den Innenraum des Kühlschranks angreifen können. Durch kochendes Wasser und organische Lösungsmittel wie beispielsweise Benzen können sich die Kunststoffteile verformen oder beschädigt werden.
- Spülen Sie während der Reinigung niemals direkt mit Wasser oder anderen Flüssigkeiten, um einem Kurzschluss oder einer Beeinträchtigung der elektrischen Isolationseigenschaften vorzubeugen.

ACHTUNG

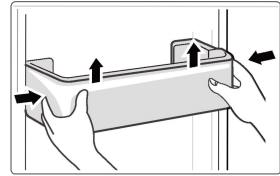
Bitte trennen Sie zum Abtauen und für die Reinigung den Kühlschrank vom Stromnetz.

Abtauen

- Der Kühlschrank arbeitet nach dem Luftkühlungsprinzip und besitzt somit auch eine automatische Abtaufunktion. Sie können aber den Frost auch manuell entfernen, der sich aufgrund von Jahreszeitenwechsel oder Temperaturschwankungen bildet. Trennen Sie hierfür das Gerät vom Stromnetz oder wischen Sie ihn mit einem trockenen Handtuch weg.

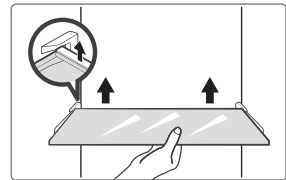
Reinigung der Türablage

- Drücken Sie die Ablage mit beiden Händen wie durch die Pfeile in nachstehender Abbildung angegeben zusammen und drücken Sie sie anschließend nach oben. Anschließend können Sie die Ablage herausnehmen.
- Reinigen Sie die Ablage gründlich und setzen Sie sie dann in der gewünschten Höhe wieder ein.



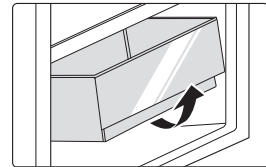
Reinigen der Glasablage

- Heben Sie die Ablagen an der hinteren Seite der Glasablage dort an, wo die Sicherung der Glasablage in der Halterung liegt und nehmen Sie anschließend die Glasablage heraus.
- Reinigen Sie die Glasablage und setzen Sie sie anschließend in der gewünschten Höhe wieder ein.



Reinigung der Gemüseschublade

1. Nehmen Sie den Inhalt der Schublade heraus. Halten Sie die Gemüseschublade am Griff fest und ziehen Sie sie vollständig bis zum Anschlag heraus.
2. Heben Sie die Gemüseschublade an und ziehen Sie sie heraus.



Außer-Betrieb-Zustand

Stromausfall:

Bei einem Stromausfall können Nahrungsmittel selbst im Sommer im Inneren des Geräts mehrere Stunden lang aufbewahrt werden, wobei die Tür so wenig wie nur möglich geöffnet werden sollte und keine weiteren frischen Nahrungsmittel in den Kühlschrank gelegt/gestellt werden dürfen.

Nichtbenutzung über längere Zeit:

Sie müssen das Gerät vom Stromnetz trennen und anschließend reinigen. Lassen Sie danach die Kühlschranktüren geöffnet, um einer Geruchsbildung vorzubeugen.

Transport:

Nehmen Sie alle Gegenstände vor einem Transport des Kühlschranks heraus und fixieren Sie alle Glasteile, Gemüsehalter, Gefrierfachschubfächer usw. mit Klebeband. Ziehen Sie zudem die Nivellierfüße fest, schließen Sie die Türen und fixieren Sie sie ebenfalls mit Klebeband. Während des Transports darf das Gerät weder kopfüber stehen noch horizontal liegen oder Vibrationen ausgesetzt werden. Die Neigung während des Transports darf 45° nicht überschreiten.

ACHTUNG

Das Gerät muss nach der Inbetriebnahme ununterbrochen laufen. Grundsätzlich darf der Betrieb des Geräts nicht unterbrochen werden. Durch Missachtung kann die Lebensdauer verkürzt werden.

FEHLERBEHEBUNG

Die nachstehenden einfachen Probleme können durch den/die Benutzer/-in selbst behoben werden. Wenn das Problem anschließend immer noch bestehen sollte, dann setzen Sie sich bitte mit der Kundendienstabteilung in Verbindung.

Problem	Mögliche Ursache
Kein Betrieb	<ul style="list-style-type: none"> Überprüfen Sie, ob das Gerät am Stromnetz angeschlossen ist und der Netzstecker ordnungsgemäß in der Netzsteckdose steckt.
	<ul style="list-style-type: none"> Überprüfen Sie, ob die Netzspannung zu gering ist.
	<ul style="list-style-type: none"> Überprüfen Sie, ob ein Stromausfall vorliegt, ein Schutzschalter ausgelöst wurde oder eine Sicherung durchgebrannt ist.
Gerüche	<ul style="list-style-type: none"> Geruchsintensive Nahrungsmittel müssen gut eingepackt werden.
	<ul style="list-style-type: none"> Überprüfen Sie, ob sich verdorbene Nahrungsmittel im Kühlschrank befinden.
	<ul style="list-style-type: none"> Reinigen Sie den Innenbereich des Kühlschranks
Langes Laufen des Kompressors	<ul style="list-style-type: none"> Ein langer Betrieb des Kühlschranks ist im Sommer normal.
	<ul style="list-style-type: none"> Wenn die Umgebungstemperatur hoch ist, sollten Sie nicht zu viele Lebensmittel gleichzeitig in das Gerät stellen/legen.
	<ul style="list-style-type: none"> Nahrungsmittel müssen ausreichend genug abgekühlt sein, bevor sie in den Kühlschrank gelegt/gestellt werden.
	<ul style="list-style-type: none"> Die Türen werden zu oft geöffnet.
Keine Beleuchtung oder die Beleuchtung erlischt.	<ul style="list-style-type: none"> Überprüfen Sie, ob der Kühlschrank am Stromnetz angeschlossen ist und ob ein Defekt des Leuchtmittels vorliegt.
	<ul style="list-style-type: none"> Lassen Sie bei Bedarf das Leuchtmittel durch eine(n) Fachfrau/-mann ersetzen
Die Tür kann nicht ordnungsgemäß geschlossen werden	<ul style="list-style-type: none"> Die Tür klemmt durch Nahrungsmittelverpackungen und/oder im Kühlschrank befinden sich zu viel Nahrungsmittel.
	<ul style="list-style-type: none"> Der Kühlschrank ist geneigt.
Laute Geräusche	<ul style="list-style-type: none"> Überprüfen Sie, ob der Kühlschrank nivelliert ist und stabil steht.
	<ul style="list-style-type: none"> Überprüfen Sie, ob sich die Zubehörteile an der vorgesehenen Stelle befinden.

Problem	Mögliche Ursache
Die Türdichtung dichtet nicht vollständig.	<ul style="list-style-type: none"> • Entfernen Sie Fremdstoffe, die sich auf der Türdichtung befinden. • Erhitzen Sie die Türdichtung und kühlen Sie sie anschließend zur Wiederherstellung ab (blasen Sie sie zum Erhitzen mit einem elektrischen Haartrockner an oder verwenden Sie ein heißes Handtuch)
Die Wasserauffangschale läuft über	<ul style="list-style-type: none"> • Im Kühlbereich/Gefrierschubfach werden zu viele Nahrungsmittel aufbewahrt oder die aufbewahrten Nahrungsmittel enthalten zu viel Wasser, was zu einem starken Abtauen führt. • Die Türen sind nicht ordnungsgemäß geschlossen, wodurch es zum Gefrieren der Luft im Eingangsbereich kommt und dadurch die Wassermenge während des Abtauens ansteigt.
Das Gehäuse ist heiß	<ul style="list-style-type: none"> • Die Wärmeabführung erfolgt durch den eingebauten Kondensator über das Gehäuse, was normal ist. Wenn das Gehäuse durch hohe Umgebungstemperatur, Lagerung von zu vielen Lebensmitteln oder Abschalten des Kompressors heiß wird, sorgen Sie für eine gute Belüftung, um die Wärmeabführung zu erleichtern
Kondensation an der Oberfläche	<ul style="list-style-type: none"> • Kondensationen an der Außenseite des Kühlschranks und an den Kühlschranktürdichtungen sind normal, wenn die Umgebungstemperatur sehr hoch ist. Wischen Sie die Kondensation einfach mit einem sauberen Tuch ab.
Ungewöhnliche Geräusche	<ul style="list-style-type: none"> • Summen: Während seines Betriebs kann der Kompressor u. U. summen, wobei dieses Summen vor allem beim Starten und Stoppen sehr laut ist. Das ist normal. • Knarren: Das im Inneren des Kühlschranks fließende Kältemittel kann ein Knarren erzeugen, was normal ist.

ANHANG

Speziell für den neuen EU-Standard

Die Ersatzteile in der folgenden Tabelle sind über den Serviceanbieter erhältlich

Ersatzteil	Bereitgestellt für	Mindestens für die Beschaffung benötigte Zeit
Thermostate	Geschultes Wartungspersonal	Mindestens 7 Jahre nach Markteinführung des letzten Modells
Temperatursensoren	Geschultes Wartungspersonal	Mindestens 7 Jahre nach Markteinführung des letzten Modells
Platinen	Geschultes Wartungspersonal	Mindestens 7 Jahre nach Markteinführung des letzten Modells
Lichtquellen	Geschultes Wartungspersonal	Mindestens 7 Jahre nach Markteinführung des letzten Modells
Türgriffe	Fachwerkstätten und Endbenutzer(innen)	Mindestens 7 Jahre nach Markteinführung des letzten Modells
Türscharniere	Fachwerkstätten und Endbenutzer(innen)	Mindestens 7 Jahre nach Markteinführung des letzten Modells
Ablagen	Fachwerkstätten und Endbenutzer(innen)	Mindestens 7 Jahre nach Markteinführung des letzten Modells
Körbe	Fachwerkstätten und Endbenutzer(innen)	Mindestens 7 Jahre nach Markteinführung des letzten Modells
Türdichtungen	Fachwerkstätten und Endbenutzer(innen)	Mindestens 10 Jahre nach Markteinführung des letzten Modells

Sehr geehrte Kundin, sehr geehrter Kunde

1. Wenn Sie das Produkt zurückgeben oder ersetzen möchten, dann setzen Sie sich bitte mit dem Geschäft in Verbindung, in dem Sie das Produkt erworben haben.
(Bringen Sie bitte auch den Kaufbeleg mit)
2. Wenn Ihr Produkt defekt ist und repariert werden muss, dann setzen Sie sich bitte mit dem Kundendienstserviceanbieter in Verbindung.

ACHTUNG

Die Modellinformationen in der Produktdatenbank sowie den Modellidentifikator können Sie über den Weblink durch Scannen des QR-Codes erhalten, wenn das Energieeffizienzchild des Produktes einen QR-Code enthält.

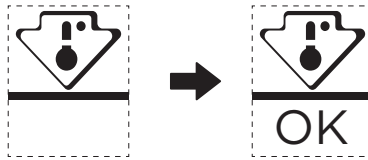
Weitere Informationen über die Energieeffizienz des Gerätes finden Sie, wenn Sie unter <https://ec.europa.eu> nach dem Modellnamen suchen.

Der Modellname befindet sich auf dem Typenschild des Gerätes.

Die kälteste Zone im Kühlschrank

OPTIONAL: OK-Temperaturanzeige

- Mit der OK-Temperaturanzeige können Temperaturen unter +4 °C ermittelt werden. Reduzieren Sie die Temperatur schrittweise, wenn „OK“ nicht angezeigt wird.



- Ändern Sie die Position der Ablage nicht, um die Temperatur in diesem Bereich sicherzustellen. Bei Kühlschränken mit verbesserter Luftzirkulation (ausgestattet mit einem Gebläse oder frostfreie Modelle) fehlt dieses Symbol, weil bei ihnen die Temperatur im Inneren homogen ist.

Temperaturindikatoreinstellung

- Der Kühlschrank ist mit einem Temperaturindikator ausgestattet, der die Durchschnittstemperatur im kältesten Bereich anzeigt, um Ihnen bei der Einstellung Ihres Kühlschranks zu helfen.
- **WARNUNG:** Dieser Indikator ist auf Ihren Kühlschrank abgestimmt. Benutzen Sie ihn weder in anderen Kühlschränken (weil dort der kälteste Bereich ein anderer ist) noch für andere Zwecke.

Überprüfen der Temperatur im kältesten Bereich

- Mit Hilfe des Temperaturindikators können Sie regelmäßig überprüfen, ob die Temperatur im kältesten Bereich richtig ist. Allerdings hängt die Innentemperatur des Kühlschranks von verschiedenen Faktoren wie beispielsweise der Raumtemperatur, der sich im Kühlschrank befindlichen Menge an Nahrungsmitteln und der Häufigkeit des Türöffnens ab. Ziehen Sie diese Faktoren in Ihre Überlegungen mit ein, wenn Sie das Gerät einstellen.
- Wenn der Indikator «OK» anzeigt, dann bedeutet das, dass der Thermostat ordnungsgemäß eingestellt und die Innentemperatur ordnungsgemäß ist.
- Wenn der Temperaturindikator WEISS wird, dann bedeutet das, dass die Temperatur zu hoch ist. Erhöhen Sie in diesem Fall die Einstellung der Kühlschranktemperaturregelung und warten Sie 12 Stunden, bevor Sie die Temperatur über den Temperaturindikator erneut überprüfen. Wenn Sie frische Nahrungsmittel hineingelegt/-gestellt haben oder die Tür eine Zeitlang geöffnet ist, kann es sein, dass der Temperaturindikator WEISS wird.

PODZIĘKOWANIE

Dziękujemy za zakup produktu firmy Midea! Przed użyciem nowego produktu należy dokładnie przeczytać niniejszą instrukcję, aby zapoznać się z jego bezpieczną obsługą oraz cechami i funkcjami.

ZAWARTOŚĆ

PODZIĘKOWANIE.....	01
SPECYFIKACJE.....	02
PRZEGLĄD PRODUKTU.....	03
MONTAŻ PRODUKTU	04
INSTRUKCJA OBSŁUGI	11
CZYSZCZENIA I UTRZYMANIA	15
ROZWIĄZYWANIE PROBLEMÓW.....	17
ZAŁĄCZNIK	19

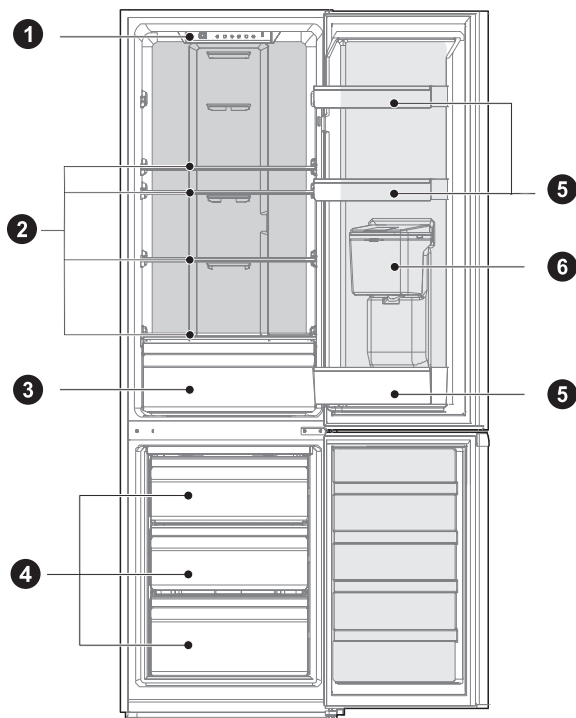
SPECYFIKACJE

Model produktu	MDRB380FGE SERIES
Objętość Komory do Przechowywania Świeżej Żywności	199L
Objętość Przechowywania Mrożonej Żywności	71L
Rodzaj Rozmrażania	Rozmrażanie Automatyczne
Czas Wzrostu Temperatury	7h
Zdolność Zamrażania	3,5kg/24h
Napięcie Znamionowe	220-240V-
Prąd Znamionowy	0,6A
Całkowita Długość (W x S x G)	1800x545x625mm

PL

PRZEGLĄD PRODUKTU

Nazwa części



- | | | | |
|---|-----------------------------|---|----------------------------|
| 1 | Oświetlenie ledowe | 4 | Szuflada |
| 2 | Półka | 5 | Tacka na Drzwi |
| 3 | Skrzynka na owoce i warzywa | 6 | Dozownik wody (opcjonalny) |

UWAGI

Powyższa ilustracja jest tylko w celach informacyjnych. Rzeczywista konfiguracja będzie zależać od fizycznego produktu lub oświadczenia dystrybutora.

MONTAŻ PRODUKTU

Instrukcja Montażu

Dla urządzeń chłodniczych z klasą klimatyczną

- W zależności od klasy klimatu lodówka ta jest przeznaczona do pracy w zakresach temperatur otoczenia podanych w poniższej tabeli.
- Klasa klimatu znajduje się na tabliczce znamionowej. W temperaturach wykraczających poza podany zakres produkt może nie działać prawidłowo.
- Klasa klimatu produktu znajduje się na jego etykiecie.

Zakres temperatury efektywnej

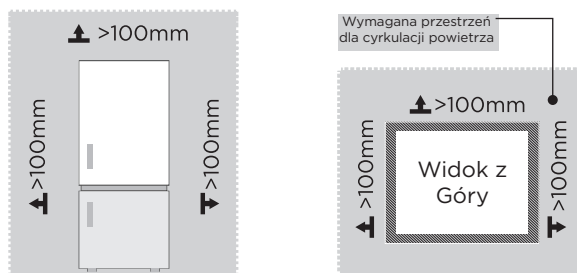
- Produkt ten został tak zaprojektowany, aby działał normalnie w zakresie temperatur określonym przez jego klasę znamionową.

Klasa	Symbol	Zakres temperatury otoczenia °C	
		IEC 62552 (ISO 15502)	ISO 8561
Rozszerzona umiarkowana	SN	+ 10 do + 32	+ 10 do + 32
Umiarkowana	N	+ 16 do + 32	+ 16 do + 32
Subtropikalna	ST	+ 16 do + 38	+ 18 do + 38
Tropikalna	T	+ 16 do + 43	+ 18 do + 43

PL

Wymiary i Odstęp

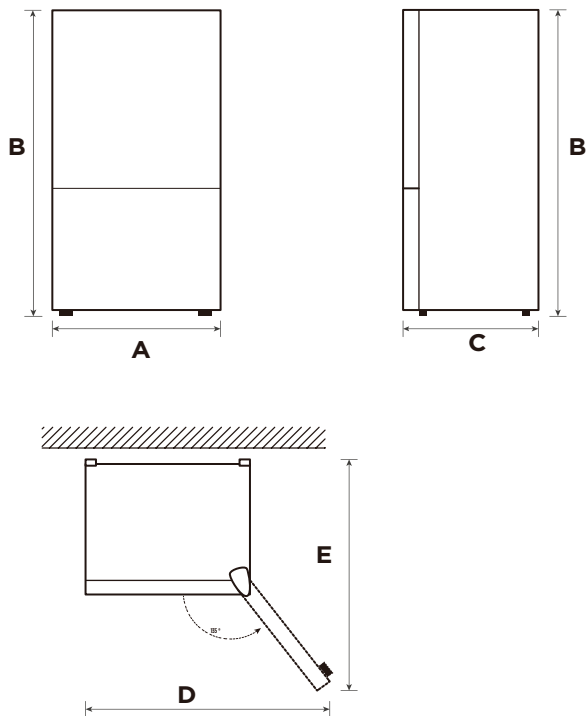
- Umieszczenie lodówki zbyt blisko elementów znajdujących się w pobliżu może spowodować zmniejszenie wydajności chłodzenia i zwiększenie kosztów energii. Podczas montażu urządzenia należy pozostawić ponad 100 mm odstępu od każdej ze stron sąsiedniej ściany.



UWAGI

Powyższa ilustracja jest tylko w celach informacyjnych. Rzeczywista konfiguracja będzie zależała od fizycznego produktu lub oświadczenia dystrybutora.

Schemat wymaganej przestrzeni (przy otwartych i zamkniętych drzwiach)



PL

Szerokość	Przełład Wysokość	Głębokość	Szerokość przy otwartych drzwiach o 135°	Głębokość przy otwartych drzwiach o 135°
A	B	C	D	E
545	1800	625	820	1070

Uwaga: Jednostka wymiarów w mm



Stopki poziomujące

Należy wyrównać urządzenie, aby uniknąć wibracji.

W razie potrzeby należy wyregulować śruby poziomujące, aby dostosować się do nierówności podłogi.

Przód należy ustawić nieco wyżej niż tył, aby ułatwić zamykanie drzwi.

Lekkie przechylenie szafki ułatwi obracanie śrub poziomujących.

Obracając śruby poziomujące w kierunku przeciwnym do ruchu wskazówek zegara  można podnieść urządzenie, natomiast w kierunku zgodnym z ruchem wskazówek  zegara można je obniżyć.

Przemieszczanie urządzenia

1. Przed przeniesieniem lodówki należy wyjąć wszystkie przedmioty na zewnątrz i wyciągnąć wtyczkę zasilania.
2. Przymocować taśmą szklane przegrody, uchwyt na warzywa, szuflady zamrażarki itp. oraz dokręcić nóżki poziomujące; zamknąć drzwi i przymocować je taśmą.
3. Później należy je przemieszczać z więcej niż dwiema osobami ostrożnie. W trakcie przemieszczania lodówka nie może być nadmiernie odwrócona, nie może być ustawiona poziomo ani narażona na wibracje; przechylenie jej w trakcie przemieszczania nie może przekraczać 45°.
4. Po montażu należy podłączyć je do zasilania i włączyć.

UWAGI

Ostrzeżenia przed użyciem:

Przed dokonaniem zmian zawsze należy odłączyć lodówkę od zasilania.

Należy zachować ostrożność, aby zapobiec wszelkim obrażeniom ciała.

Ustawienie

- Przed rozpoczęciem pracy lodówki należy usunąć wszystkie materiały opakowaniowe, w tym podkładki dolne, podkładki piankowe i taśmy znajdujące się wewnątrz lodówki; oderwać folię ochronną z drzwi i obudowy lodówki.
- Należy ją umieścić poza zasięgiem ciepła i unikać bezpośredniego działania promieni słonecznych. Nie należy umieszczać zamrażarki w miejscach wilgotnych lub wodnistych, aby zapobiec rdzewieniu lub osłabieniu działania izolacyjnego.
- Nie należy spryskiwać ani myć lodówki; nie należy umieszczać lodówki w wilgotnych miejscach, które łatwo mogą zostać zachłapane wodą, w przeciwnym razie może dojść do uszkodzenia elektrycznych właściwości izolacyjnych lodówki.
- Lodówka powinna być umieszczona w przewiewnym miejscu w pomieszczeniach na płaskim i stabilnym podłożu (obrócić kółko poziomujące w lewo lub w prawo, aby wyregulować jej położenie w przypadku niestabilności).

Zmiana kierunku otwierania drzwi w prawo lub w lewo (opcjonalna)

Zmiana kierunku otwierania drzwi może być korzystniejsza w zależności od tego, gdzie planowane jest użytkowanie lodówki.

UWAGA

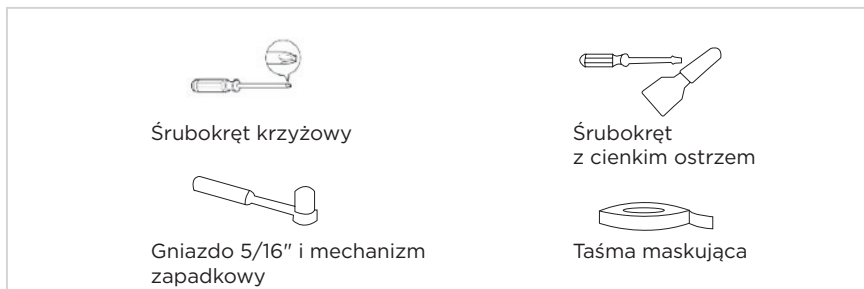
UWAGA: Aby nie dopuścić do obrażeń ciała lub mienia, zaleca się, aby podczas procesu zmiany kierunku otwierania drzwi była obecna osoba pomagająca.

Przegotowania do zmiany kierunku otwierania drzwi

Wymagane są: Standardowy śrubokręt, śrubokręt krzyżakowy i dołączony klucz imbusowy.

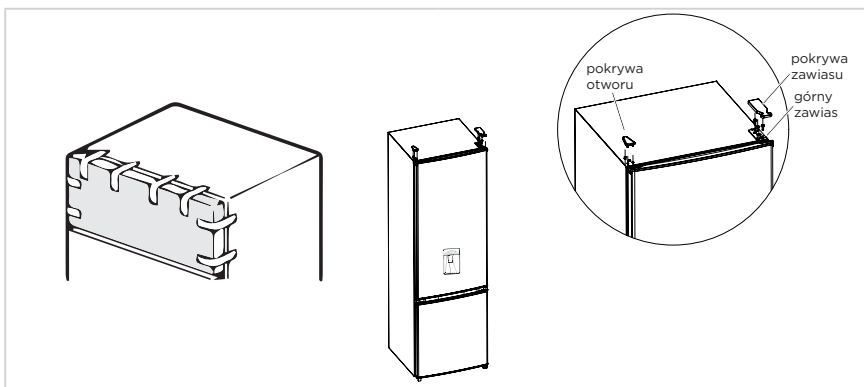
- Należy zwrócić uwagę, aby lodówka była odłączona od prądu i pusta.
- Ważne jest, aby poprosić kogoś o pomoc w tym procesie.
- Przechowywać wszystkie wymontowane części, aby móc je później ponownie zamontować.

Narzędzia potrzebne do wymiany kierunku otwierania drzwi:

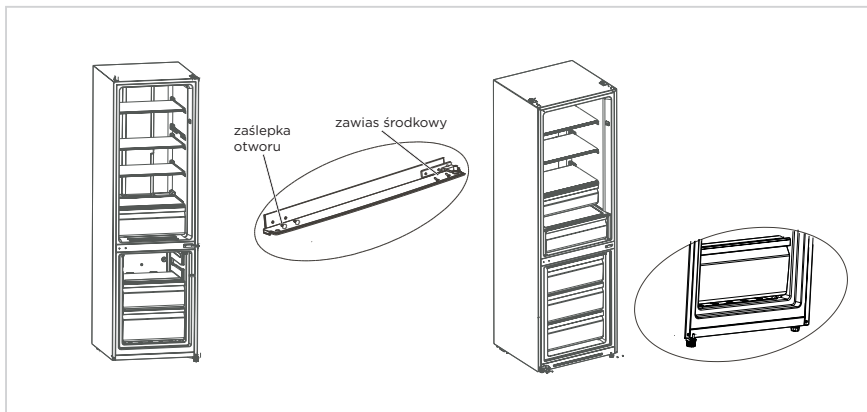


Krok

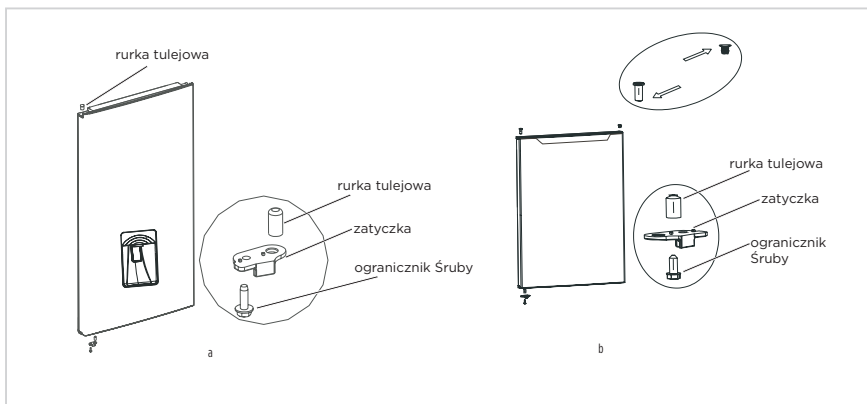
1. Przed wykonaniem tej czynności należy wyłączyć zasilanie urządzenia. Usunąć wszystkie artykuły spożywcze z wnętrza drzwi. Zamknąć drzwi i je przymocować taśmą.
2. Zdemontować pokrywę otworu, pokrywę zawiasu i górny zawias.



3. Zdjąć drzwi komory chłodniczej, środkowy zawias (użyć klucza imbusowego do odkręcenia śruby środkowego zawiasu) i zaślepkę otworu z drugiej strony.
4. Zdjąć drzwi zamrażarki, dolny zawias, zaślepkę otworu i nóżki poziomujące. Zamontować dolny zawias po drugiej stronie.



5. a) Zdemontować ogranicznik, rurkę tulejkową drzwi komory chłodniczej. Zamontować rurkę tulejkową i ogranicznik na dole po lewej stronie drzwi za pomocą śruby.
- b) Zdemontować ogranicznik, rurkę tulejkową po prawej stronie drzwi zamrażarki. Zamontować rurkę tulejkową i ogranicznik na dole po lewej stronie drzwi za pomocą śruby. Zdjąć rurkę tulejkową i zaślepki otworów na drzwiach zamrażarki i zamontować je po drugiej stronie.

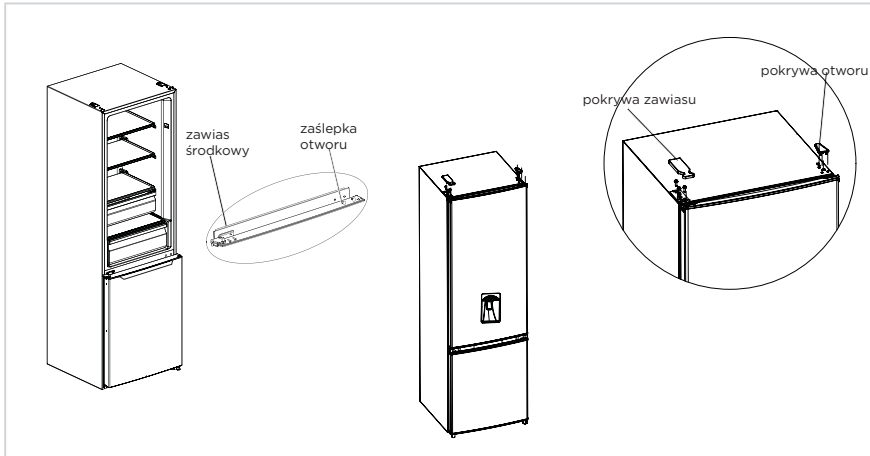


6. Umieścić drzwi zamrażarki na dolnym zawiasie. Zainstalować środkowy zawias i zaślepki otworów.
7. Umieścić drzwi komory chłodniczej na środkowym zawiasie. Zainstalować górny zawias i pokrywę zawiasu.

PL

8. Umieścić drzwi komory chłodniczej na środkowym zawiasie. Zainstalować górny zawias i pokrywę zawiasu.

Przed zainstalowaniem pokrywy górnego zawiasu należy sprawdzić co następuje. Śruby mocujące zawias powinny być dokładnie wciśnięte w powierzchnię zawiasu, aby nie doszło do ich odchylenia. Po zamontowaniu zawiasu należy sprawdzić, czy nie ma żadnych wstrząsów.



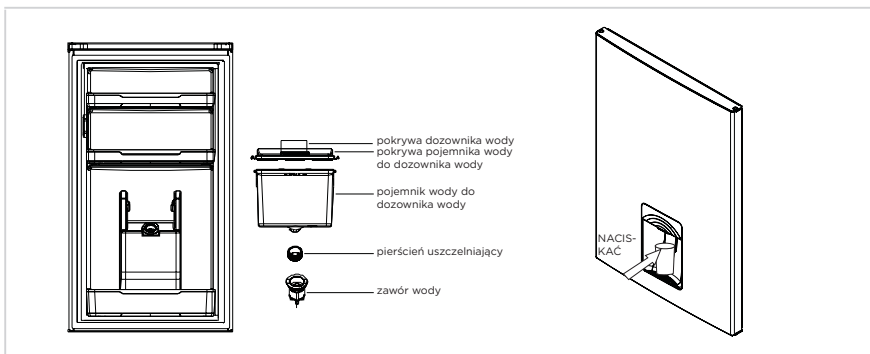
PL

UWAGI

Powyższa ilustracja jest tylko w celach informacyjnych. Rzeczywista konfiguracja będzie zależała od fizycznego produktu lub oświadczenia dystrybutora.

Użytkowania dozownika wody (opcjonalnego)

1. Po pierwsze, otworzyć pokrywę wlotu wody, a następnie napełnić go wodą pitną do "MAKS" oznaczonego jako maksymalna ilość wody.
2. Za pomocą kubka wcisnąć spust do środka, woda zacznie wypływać. Gdy spust zostanie zwolniony z powrotem do pierwotnej pozycji, woda przestanie wypływać.
3. Dozownik wody może być używany tylko do wody. Nie nadaje się do napojów lub soków owocowych.

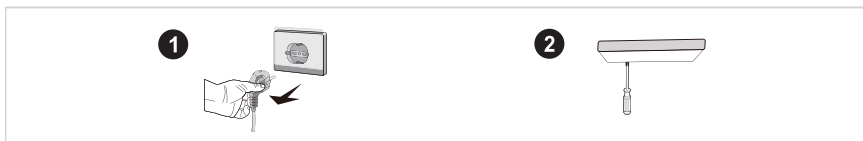


Regulowanie światła

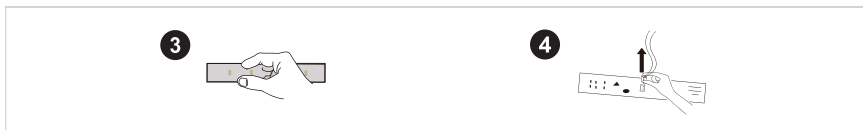
- Wszelka wymiana lub konserwacja lamp LED powinna być przeprowadzana przez producenta, jego serwisanta lub inną wykwalifikowaną osobę. Produkt ten zawiera źródło światła o klasie efektywności energetycznej<F>.

Krok

- Przed demontażem należy wyjąć wtyczkę.
- Zdjąć klosz za pomocą śrubokręta.



- Zdjąć panel lampy.
- Wyjąć zacisk przyłączeniowy.



Podłączenie do zasilania

Przed pierwszym uruchomieniem należy pozostawić lodówkę nieruchomą przez dwie godziny, a następnie podłączyć ją do źródła zasilania.

UWAGI

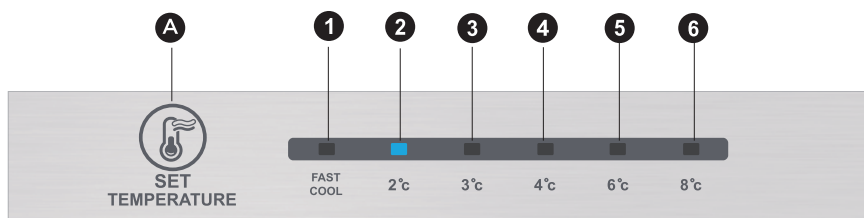
Przed włożeniem świeżych lub mrożonych produktów, lodówka powinna pracować przez 2 - 3 godziny, lub przez ponad 4 godziny w lecie, gdy temperatura otoczenia jest wysoka.

Porady dotyczące oszczędzania energii

- Należy umieścić lodówkę w najchłodniejszym miejscu pomieszczenia i ją ustawić poza zasięgiem źródeł ciepła lub kanałów grzewczych. Należy również chronić ją przed bezpośrednim działaniem promieni słonecznych.
- Przed umieszczeniem w urządzeniu gorące potrawy powinny być schłodzone do temperatury pokojowej. Przeciężenie urządzenia zmusza sprężarkę do dłuższej pracy. Żywność, która zamarza zbyt wolno, może stracić na jakości lub ulec zepsuciu.
- Przed umieszczeniem w lodówce należy odpowiednio zawinąć żywność i wytrzeć pojemniki do sucha, co ograniczy osadzanie się szronu wewnątrz urządzenia.
- Pojemniki do przechowywania urządzeń nie powinny być wyłożone folią aluminiową, papierem woskowym ani ręcznikami papierowymi. Wkładki zakłócają cyrkulację zimnego powietrza, przez co urządzenie jest mniej wydajne.
- Należy uporządkować i oznaczyć żywność, aby ograniczyć otwieranie drzwi i dłuższe poszukiwania. Wyjmij tyle przedmiotów, ile potrzebujesz na raz i zamknij drzwi tak szybko, jak to możliwe.

INSTRUKCJA OBSŁUGI

Panel sterowania



UWAGI

Powyższa ilustracja jest tylko w celach informacyjnych. Rzeczywista konfiguracja będzie zależała od fizycznego produktu lub oświadczenia dystrybutora.

Klawisz

A Przyciski alarm/power off/power on (Alarmu/off/on)

Wyświetlacz

1 ustawienie temperatury 1

2 ustawienie temperatury 2

3 ustawienie temperatury 3

4 ustawienie temperatury 4

5 ustawienie temperatury 5

6 ustawienie temperatury 6

Wyświetlacz

Po włączeniu zasilania lodówki wyświetlacz (w tym lampka kontrolna) będzie świecić w pełnym świetle przez 3s, następnie lodówka pracuje zgodnie z ustawieniem temperatury 4.

Wskazanie normalnej pracy

W przypadku wystąpienia usterki odpowiednia dioda LED poda łączne wyświetlenie kodu usterki (w sposób cykliczny);

W przypadku braku usterki, diody LED będą pokazywać istniejące ustawienia temperatury.

UWAGI

Rzeczywisty panel sterowania może się różnić, zależy to od modelu.

Instrukcja obsługi

Ustawienia poziomów

- Ustawienie temperatury zostanie zmienione raz za każdym razem po naciśnięciu przycisku SET (USTAWIENIA). Po 15s lodówka będzie pracować pod nową wartością ustawienia.

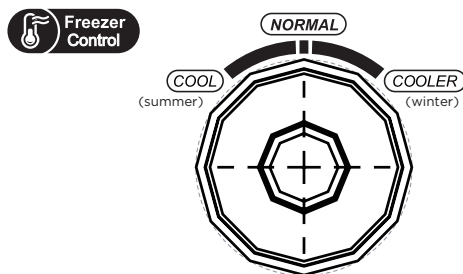
Ustawienia 1 → Ustawienia 2 → Ustawienia 3 → Ustawienia 4 → Ustawienia 5 → Ustawienia 6 → Ustawienia 1 →

Tryb Fast cool (Szybkiego chłodzenia):

- Wprowadzenie: Modulacja cyrkulacyjna tryb rapid cooling (szybkiego chłodzenia).
- Praca: Zapali się dioda szybkiego chłodzenia, a lodówka pracuje w temperaturze 2°C.
- Tryb Fast cool (Szybkiego chłodzenia) wyłączony automatycznie na 24 godziny.
- Funkcja Fast cool (Szybkiego chłodzenia) jest dostępna podczas Super freezing (Silnego chłodzenia).

Kontrola temperatury w komorze mrożącej

- Temperatura zamrażania jest stosunkowo niska w pozycji "COOLER" (NIŻSZA), natomiast temperatura zamrażania jest stosunkowo wysoka w pozycji "COOL" (NISKA), dlatego też zazwyczaj stosuje się pozycję "NORMAL" (NORMALNA).
- Gdy temperatura otoczenia jest wysoka w lecie, należy ustawić temperaturę w zakresie od "NORMAL" (NORMALNA) do "COOL" (NISKA). Jeśli temperatura otoczenia jest wyższa niż 35°C, pierwszeństwo ma pozycja "COOL" (NISKA).
- Gdy temperatura otoczenia jest niska w zimie, należy ustawić temperaturę w zakresie od "NORMAL" (NORMALNA) do "COOLER" (NIŻSZA). Jeśli temperatura otoczenia jest niższa niż 10°C, pierwszeństwo ma pozycja "COOLER" (NIŻSZA).



Kody błędów

- Następujące ostrzeżenia pojawiające się na wyświetlaczu wskazują na odpowiednie ustěrki lodówki.
- Nawet jeśli lodówka nadal działa z funkcjami chłodzenia i zamrażania w przypadku wystąpienia poniższych usterek, użytkownikowi zaleca się skontaktowanie ze specjalistą ds. konserwacji w celu dokonania naprawy, aby zapewnić normalne jej użytkowanie.

Kod Błędu	Opis Błędu
Zapała się dioda 1 i dioda 2	Obwód czujnika temperatury lodówki
Zapała się dioda 1 i dioda 3	Czujnik odszraniania zamrażarki
Zapała się dioda 4 i dioda 4	Czujnik temperatury otoczenia

Komora chłodnicza

- Komora chłodzenia jest odpowiednia do przechowywania różnych owoców, warzyw, napojów i innych produktów żywnościowych spożywanych w krótkim okresie, sugerowany czas przechowywania 3 do 5 dni.
- Gorąca żywność nie może być umieszczana w komorze chłodniczej, dopóki nie zostanie schłodzona do temperatury pokojowej.
- Żywność zaleca się szczelnie zamykać przed włożeniem do lodówki.
- Szklane półki można regulować w górę lub w dół, co zapewnia stosowną ilość miejsca do przechowywania i ułatwia ich użytkowanie.

Komory mrozące

- Zamrażarka w niskiej temperaturze może zapewnić świeżość żywności przez długi czas i jest głównie używana do przechowywania mrozonek i wytwarzania lodu.
- Komora zamrażania przeznaczona jest do przechowywania mięsa, ryb, kulek ryżowych i innych produktów spożywczych, które nie zostaną wkrótce spożyte.
- Duże kawałki mięsa najlepiej podzielić na mniejsze kawałki do szybkiego zamrożenia i łatwego wyjęcia. Należy zwrócić uwagę, że żywność powinna być spożywana w okresie przechowywania.

L. P.	Typ komory	Temp. docelowa przechowywania [°C]	Rodzaj żywności
1	W lodówce	+2 - +8	Do zamrażania nie są dopuszczone jajka, gotowane potrawy, pakowane artykuły spożywcze, owoce i warzywa, artykuły mleczne, ciasta, napoje i inne artykuły spożywcze.
2	(***)* - W zamrażarce	≤-18	Seafood(fish, shrimp, shellfish), freshwater aquatic products and meat products (recommended for 3 months, the longer the storage time, the worse the taste and nutrition), suitable for frozen fresh food.
3	*** - W zamrażarce	≤-18	Seafood(fish, shrimp, shellfish), freshwater aquatic products and meat products (recommended for 3 months, the longer the storage time, the worse the taste and nutrition), suitable for frozen fresh food.
4	** - W zamrażarce	≤-12	Seafood(fish, shrimp, shellfish), freshwater aquatic products and meat products (recommended for 3 months, the longer the storage time, the worse the taste and nutrition), suitable for frozen fresh food.
5	* - W zamrażarce	≤-6	Seafood(fish, shrimp, shellfish), freshwater aquatic products and meat products (recommended for 3 months, the longer the storage time, the worse the taste and nutrition), suitable for frozen fresh food.
6	O-gwiazda	-6 - 0	Świeża wieprzowina, wołowina, ryby, kurczak, niektóre pakowane produkty przetworzone itp. (Zalecane spożycie w ciągu tego samego dnia, najlepiej nie dłużej niż 3 dni). Częściowo zamknięta żywność przetworzona (żywność nie do zamrożenia).
7	W komorze chłodzenia	-2 - +3	Świeżo zamrożona wieprzowina, wołowina, kurczak, słodkowodne produkty wodne itp. (Jeśli temp. jest poniżej 0°C, to 7 dni, jeśli powyżej 0°C, to zaleca się spożycie w ciągu tego samego dnia, najlepiej nie dłużej niż 2 dni). Owoce morza (poniżej 0°C przez 15 dni, nie zaleca się przechowywania powyżej 0°C).
8	Świeże artykuły spożywcze	0 - +4	Świeża wieprzowina, wołowina, ryby, kurczak, gotowane wyroby itp. (Zalecane spożycie w ciągu tego samego dnia, najlepiej nie dłużej niż 3 dni).
9	Wino	+5 - +20	Wino czerwone, wino białe i wino musujące itp.

UWAGI

Należy przechowywać różne artykuły spożywcze zgodnie z komorami lub docelową temperaturą przechowywania zakupionych artykułów.

PL

CZYSZCZENIA I UTRZYMANIA

Całkowite czyszczenie

- Kurz za lodówką i na ziemi należy okresowo czyścić, aby zapewnić lepszy efekt chłodzenia i oszczędność energii.
- Należy regularnie sprawdzać uszczelki drzwi, czy nie ma w nich żadnych zanieczyszczeń. Uszczelkę drzwi należy czyścić miękką ściereczką zwilżoną wodą z mydłem lub rozcieńczonym detergentem.
- Wnętrze lodówki należy regularnie czyścić, aby nie dopuścić do powstania nieprzyjemnego zapachu.
- Przed czyszczeniem wnętrza należy wyłączyć zasilanie, usunąć wszystkie artykuły spożywcze, napoje, półki, szuflady itp.
- Do wyczyszczenia wnętrza lodówki należy używać miękkiej szmatki lub gąbki z dodatkiem dwóch łyżek sody oczyszczonej i ciepłej wody. Następnie spłucz wodą i wytrzyj do czysta. Po wyczyszczeniu należy otworzyć drzwi i pozostawić je do naturalnego wyschnięcia przed włączeniem zasilania.
- W przypadku miejsc trudnych do czyszczenia w lodówce (takich jak wąskie szczeliny lub narożniki), zaleca się regularne przecieranie ich miękką szmatką, miękką szczotką itp. i w razie potrzeby w połączeniu z niektórymi narzędziami pomocniczymi (takimi jak cienkie patyczki), aby nie dopuścić do gromadzenia się w tych miejscach zanieczyszczeń i bakterii.
- Nie należy używać mydła, detergentu, proszku do szorowania, środka czyszczącego rozpylającego itp. aby nie powodować nieprzyjemnych zapachów we wnętrzu lodówki lub zanieczyszczenia żywności.
- Ramę butelki, półki i szuflady należy czyścić miękką szmatką zwilżoną wodą z mydłem lub rozcieńczonym detergentem. Osusz miękką szmatką lub osusz naturalnie.
- Zewnętrzną powierzchnię lodówki należy przetrzeć miękką szmatką zwilżoną wodą z mydłem, detergentem itp. a następnie wysuszyć suchą szmatką.
- Nie należy używać twardych szczotek, waty drucianej, materiałów ściernych (takich jak pasty do zębów), rozpuszczalników organicznych (takich jak alkohol, aceton, olej bananowy itp.), wrzącej wody, przedmiotów kwasowych lub zasadowych, które mogą uszkodzić powierzchnię i wnętrze lodówki. Wrząca woda i rozpuszczalniki organiczne, takie jak benzen, mogą zdeformować lub uszkodzić plastikowe części.
- Nie spłukiwać bezpośrednio wodą lub innymi płynami podczas czyszczenia, aby uniknąć zwarć lub wpływu na izolację elektryczną po zanurzeniu.

UWAGI

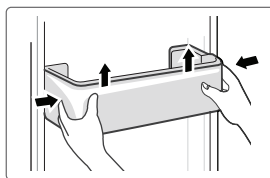
Prosimy wyjąć wtyczkę z lodówki w celu rozmrożenia i czyszczenia.

Odszranianie

- Lodówka wyprodukowana jest na zasadzie chłodzenia powietrzem, dzięki czemu posiada funkcję automatycznego odszraniania. Szron powstały w wyniku zmiany pory roku lub temperatury może być również usunięty ręcznie przez odłączenie urządzenia od zasilania lub przez przetarcie suchym ręcznikiem.

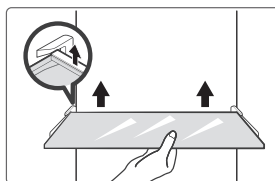
Czyszczenie tacka na drzwi

- Wyjąć tackę ściskając ją obiema rękami i popychając do góry zgodnie ze strzałkami kierunkowymi na poniższym rysunku.
- Po umyciu wyjętej tacki można regulować jej wysokość ustawienia w zależności od potrzeb.



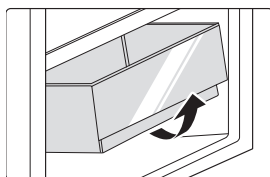
Czyszczenie półek szklanych

- Na najgłębszej części wkładki lodówki stykającej się z półką znajduje się zabezpieczenie przed cofnięciem, należy je podnieść do góry w celu wyjęcia półek.
- Wyregulować lub wyczyścić półki zgodnie z zapotrzebowaniem.



Czyszczenia szuflady na warzywa

1. Wyjąć wszystkie warzywa z szuflady. Przytrzymać uchwyt szuflady na warzywa i wyciągnąć ją całkowicie, aż się zatrzyma.
2. Unieść ją i potem wyciągnąć.



Wyłączona z eksploatacji

Awaria zasilania:

W przypadku awarii zasilania, nawet jeśli jest ona latem, żywność wewnątrz urządzenia może być przechowywana przez kilka godzin; podczas awarii zasilania czas otwarcia drzwi powinien być skrócony, a do urządzenia nie należy wkładać więcej świeżej żywności.

Długie nieużywane:

Urządzenie należy odłączyć od zasilania, a następnie wyczyścić; następnie pozostawić drzwi otwarte, aby zapobiec powstawaniu nieprzyjemnych zapachów.

Przesuwanie:

Przed przeniesieniem lodówki należy wyjąć wszystkie przedmioty na zewnątrz, przymocować taśmą szklane przegrody, uchwyt na warzywa, szuflady zamrażarki itp. oraz dokręcić nóżki poziomujące; zamknąć drzwi i przymocować je taśmą. Podczas przesuwania urządzenia nie można odwracać jej do góry nogami, nie może znajdować się w pozycji poziomej ani nie może być poddawana wibracji; nachylenie podczas ruchu nie może być większe niż 45°.

● UWAGI

Po uruchomieniu urządzenie powinno pracować w sposób ciągły. Zasadniczo nie należy przerywać pracy urządzenia, w przeciwnym razie może dojść do skrócenia jego żywotności.

ROZWIĄZYWANIE PROBLEMÓW

Użytkownik może rozwiązać następujące proste problemy. W przypadku nierozwiązania problemów należy skontaktować się z działem obsługi posprzedażnej. W przypadku nierozwiązania problemów należy skontaktować się z działem obsługi posprzedażnej.

Problem	Możliwe przyczyny
Nieudana operacja	<ul style="list-style-type: none"> Sprawdź, czy urządzenie jest podłączone do zasilania i czy wtyczka jest dobrze podłączona.
	<ul style="list-style-type: none"> Sprawdź, czy napięcie nie jest za niskie.
	<ul style="list-style-type: none"> Sprawdź, czy wystąpiła awaria zasilania lub zadziałały obwody częściowe.
Nieprzyjemne zapachy	<ul style="list-style-type: none"> Środki spożywcze o intensywnym zapachu muszą być szczelnie owinięte
	<ul style="list-style-type: none"> Sprawdź, czy jest jakieś zgniłe jedzenie.
	<ul style="list-style-type: none"> Wyczyść wnętrze lodówki
Długotrwała eksploatacja sprężarki	<ul style="list-style-type: none"> Długa eksploatacja lodówki jest w lecie normalna
	<ul style="list-style-type: none"> gdy temperatura otoczenia jest wysoka, nie zaleca się umieszczania w urządzeniu zbyt dużej ilości żywności w tym samym czasie.
	<ul style="list-style-type: none"> Żywność powinna wystygnąć zanim zostanie włożona do urządzenia.
	<ul style="list-style-type: none"> Drzwi są otwierane zbyt często
Światło nie zapala się	<ul style="list-style-type: none"> Sprawdź, czy lodówka jest podłączona do zasilania i czy światło podświetlające nie jest uszkodzone.
	<ul style="list-style-type: none"> Niech światło zostanie zmienione przez specjalistę.
Drzwi nie mogą być prawidłowo zamknięte	<ul style="list-style-type: none"> Drzwi są zakleszczone przez opakowania z jedzeniem Umieszczono zbyt dużo jedzenia.
	<ul style="list-style-type: none"> Lodówka jest przechylona.
Głośne dźwięki	<ul style="list-style-type: none"> Sprawdź, czy podłoga jest wypoziomowana i czy lodówka jest ustawiona stabilnie.
	<ul style="list-style-type: none"> Sprawdź, czy akcesoria są umieszczone w odpowiednich miejscach.

Problem	Możliwe przyczyny
Uszczelka drzwi nie jest szczelna	<ul style="list-style-type: none"> • Usuń ciała obce z uszczelki drzwi. • Podgrzać uszczelkę drzwi, a następnie schłodzić ją do ponownego założenia (lub za pomocą suszarki elektrycznej lub gorącego ręcznika do ogrzewania).
Przelewanie się wody z miski	<ul style="list-style-type: none"> • W komorze jest za dużo żywności lub przechowywana żywność zawiera zbyt dużo wody, co powoduje intensywne rozmrażanie. • Drzwi nie są prawidłowo zamknięte, co powoduje zamarzanie z powodu przedostawania się powietrza i zwiększonej ilości wody z powodu rozmrażania.
Gorąca obudowa	<ul style="list-style-type: none"> • Jest zjawiskiem normalnym, że wbudowany skraplacz odprowadza ciepło przez obudowę. Gdy obudowa jest gorąca z powodu wysokiej temperatury otoczenia, nadmiernego przechowywania żywności lub gdy sprężarka jest wyłączona, należy zapewnić dobrą wentylację, aby ułatwić odprowadzanie ciepła.
Kondensacja powierzchniowa	<ul style="list-style-type: none"> • Kondensacja na powierzchni zewnętrznej i uszczelkach drzwi lodówki jest normalna, gdy wilgotność otoczenia jest zbyt wysoka. Wystarczy przetrzeć kondensat czystym ręcznikiem.
Nietypowy hałas	<ul style="list-style-type: none"> • Bzyk: Podczas pracy sprężarki mogą powstawać brzęczenia, które są szczególnie głośne przy uruchamianiu i zatrzymywaniu. To normalne. • Skrzyp: Czynnik chłodniczy przepływający wewnątrz urządzenia może powodować skrzypienie, co jest normalne.

ZAŁĄCZNIK

Specjalnie dla nowego europejskiego standardu

Podane w poniższej tabeli części można nabyć u dostawcy usług serwisowych

Część zamówiona	Dostarczona przez	Minimalny czas wymagany do realizacji
Termostaty	Profesjonalny personel serwisowy	Co najmniej 7 lat po wprowadzeniu ostatniego modelu na rynek
Czujniki temperatury	Profesjonalny personel serwisowy	Co najmniej 7 lat po wprowadzeniu ostatniego modelu na rynek
Płytki drukowane	Profesjonalny personel serwisowy	Co najmniej 7 lat po wprowadzeniu ostatniego modelu na rynek
Źródła światła	Profesjonalny personel serwisowy	Co najmniej 7 lat po wprowadzeniu ostatniego modelu na rynek
Uchwyt drzwi	Profesjonalne warsztaty naprawcze i użytkownicy końcowi	Co najmniej 7 lat po wprowadzeniu ostatniego modelu na rynek
Zawiasy drzwiowe	Profesjonalne warsztaty naprawcze i użytkownicy końcowi	Co najmniej 7 lat po wprowadzeniu ostatniego modelu na rynek
Tace	Profesjonalne warsztaty naprawcze i użytkownicy końcowi	Co najmniej 7 lat po wprowadzeniu ostatniego modelu na rynek
Kosze	Profesjonalne warsztaty naprawcze i użytkownicy końcowi	Co najmniej 7 lat po wprowadzeniu ostatniego modelu na rynek
Uszczelki drzwiowe	Profesjonalne warsztaty naprawcze i użytkownicy końcowi	Co najmniej 10 lat po wprowadzeniu ostatniego modelu na rynek

Drogi kliencie

1. Jeśli chcesz zwrócić lub wymienić produkt, skontaktuj się ze sklepem, w którym dokonujesz zakupu.

(Pamiętaj, aby przynieść fakturę zakupu)

2. W przypadku awarii produktu, która wymaga naprawy, prosimy o kontakt z serwisem posprzedażowym.

UWAGI

Informacje o modelu, jak również identyfikator modelu, można uzyskać poprzez zeskanowanie kodu QR, jeżeli takowy znajduje się na etykiecie efektywności energetycznej produktu.

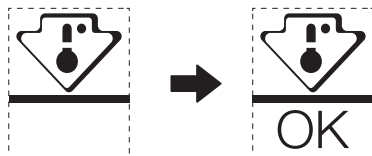
Więcej informacji na temat oszczędności energii w urządzeniu znajduje się na stronie <https://ec.europa.eu> i wyszukuje się za pomocą nazwy modelu.

gdzie nazwę modelu znajduje się na etykiecie znamionowej urządzenia.

Strefa najchłodniejsza w lodówce

OPCJONALNIE: Wskaźnik OK-temp.

- Za pomocą wskaźnika OK-temp. określone są temperatury poniżej +4°C. Należy stopniowo zmniejszać temperaturę, jeśli wskaźnik nie wskazuje "OK".



- Nie należy zmieniać położenia półki, w przeciwnym razie utrudnione będzie utrzymanie odpowiedniej temperatury w komorze. W lodówkach z wymuszonym obiegiem powietrza (wyposażonych w wentylator lub modelach No Frost) symbol najchłodniejszej strefy nie jest przedstawiany, ponieważ temperatura wewnątrz jest równomierna.

Ustawienia wskaźnika temp.

- Aby ułatwić Państwu odpowiednie ustawienie lodówki, została ona wyposażona we wskaźnik temperatury, który będzie monitorował średnią temperaturę w najchłodniejszej strefie.
- **OSTRZEŻENIE:** Wskaźnik ten jest przeznaczony do pracy tylko z Państwa lodówką, nie należy go używać w innej lodówce (ponieważ najchłodniejsza strefa nie jest taka sama), ani do żadnych innych zastosowań.

Sprawdzenie temp. w strefie najchłodniejszej

- Wskaźnik temp. umożliwia regularną kontrolę temp. w strefie najchłodniejszej. Temperatura wewnętrzna lodówki zależy od kilku czynników, takich jak temperatura otoczenia w pomieszczeniu, ilość przechowywanej żywności oraz częstotliwość otwierania drzwi itp., więc zaleca się, aby wziąć te czynniki pod uwagę przy ustawianiu urządzenia.
- Kiedy wskaźnik pokazuje "OK", oznacza to, że Państwa termostat jest odpowiednio wyregulowany, a temperatura wewnętrzna prawidłowa.
- Jeśli wskaźnik temperatury zmieni się na BIAŁY, oznacza to, że temperatura jest zbyt wysoka; w takim przypadku należy odpowiednio zmniejszyć ustawienie kontroli temperatury w lodówce i odczekać 12 godzin przed wykonaniem ponownych kontroli wzrokowej wskaźnika. Po wprowadzeniu świeżej żywności lub pozostawieniu otwartych drzwi możliwe jest, że wskaźnik temperatury po pewnym czasie zmieni się na BIAŁY.

DĚKOVNÝ DOPIS

Děkujeme, že jste si vybrali společnost Midea! Před použitím nového výrobku Midea si prosím důkladně přečtěte tento návod, abyste se ujistili, že víte, jak bezpečně ovládat vlastnosti a funkce, které váš nový spotřebič nabízí.

OBSAH

DĚKOVNÝ DOPIS.....	01
SPECIFIKACE	02
PŘEHLED PRODUKTU	03
INSTALACE PRODUKTU	04
NÁVOD K OBSLUZE	11
ČIŠTĚNÍ A ÚDRŽBA.....	15
ŘEŠENÍ PROBLÉMU.....	17
PŘÍLOHA	19

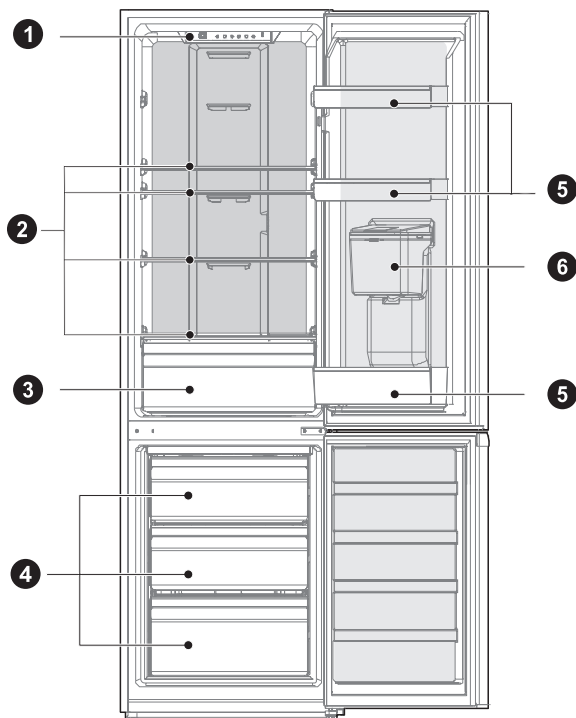
SPECIFIKACE

Model výrobku	MDRB380FGE SERIES
Objem Příhrádky pro Skladování Čerstvých potravin	199L
Objem Skladovaných Zmrazených Potravin	71L
Typ Rozmrazování	Automatické odmrazování
Doba Nárůstu Teploty	7h
Mrazicí Kapacita	3,5kg/24h
Jmenovité Napětí	220-240V-
Jmenovitý Proud	0,6A
Celkové Rozměry (V × Š × H)	1800x545x625mm

CZ

PŘEHLED PRODUKTU

Názvy součástí



- | | | | |
|---|------------------------------|---|---------------------------|
| 1 | Osvětlení LED | 4 | Zásuvka |
| 2 | Police | 5 | Dveřní Příhrádka |
| 3 | Krabice s ovocem a zeleninou | 6 | Dávkovač vody (volitelně) |

POZOR

Výše uvedený obrázek je pouze orientační. Skutečná konfigurace bude záviset na fyzickém produktu nebo prohlášení distributora.

INSTALACE PRODUKTU

Pokyny k Instalaci

Pro chladicí zařízení s klimatickou třídou

- Tento chladicí přístroj je určen k použití v rozsahu okolních teplot uvedených v následující tabulce v závislosti na klimatické třídě.
- Klimatická třída je uvedena na výrobním štítku. Výrobek nemusí správně fungovat při teplotách mimo uvedený rozsah.
- Klimatickou třídu najdete na štítku výrobku.

Efektivní teplotní rozsah

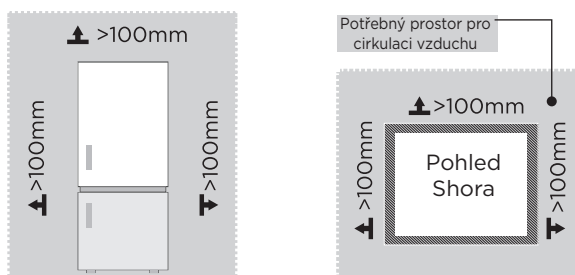
- Výrobek je navržen tak, aby normálně fungoval v teplotním rozsahu specifikovaném jeho třídou.

Třída	Symbol	Rozsah okolní teploty °C	
		IEC 62552 (ISO 15502)	ISO 8561
Rozšířený mírný pás	SN	+ 10 až + 32	+ 10 až + 32
Mírný pás	N	+ 16 až + 32	+ 16 až + 32
Subtropický	ST	+ 16 až + 38	+ 18 až + 38
Tropické	T	+ 16 až + 43	+ 18 až + 43

CZ

Rozměry a Odstupy

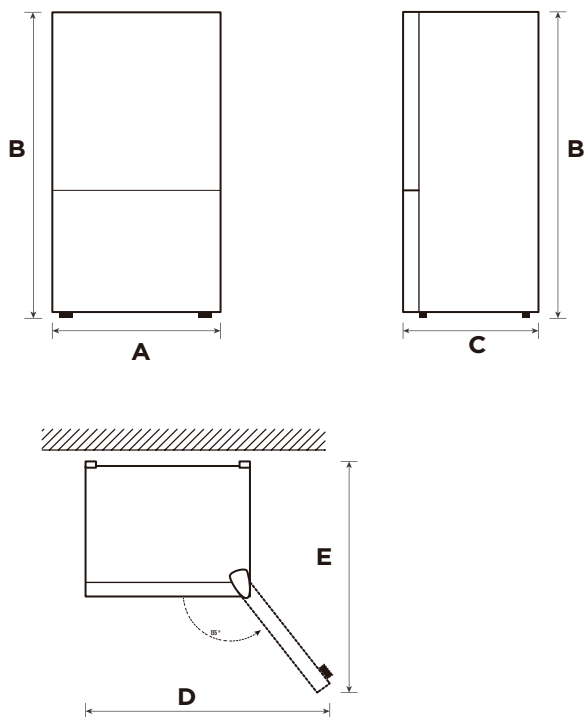
- Pokud je vzdálenost mezi sousedními položkami příliš malá, může dojít ke snížení mrazicího výkonu a zvýšení nákladů na elektrickou energii. Při instalaci spotřebiče ponechte od každé přilehlé stěny více než 100 mm volného prostoru.



POZOR

Výše uvedený obrázek je pouze orientační. Skutečná konfigurace bude záviset na fyzickém produktu nebo prohlášení distributora.

Schéma prostorových nároků (při otevřených a zavřených dveřích)



CZ

Šířka	Celková Výška	Hloubka	Šířka dveří se otevřít v úhlu 135°	Hloubkové dveře se otevřít v úhlu 135°
A	B	C	D	E
545	1800	625	820	1070

Upozornění: Všechny rozměry v mm



Vyrovňovací patky

Aby se zabránilo vibracím, musí být jednotka vyrovnaná.

V případě potřeby nastavte vyrovňovací šrouby, abyste vyrovnali nerovnosti podlahy.

Přední část by měla být o něco vyšší než zadní, aby se dveře lépe zavíraly.

Vyrovňovací šrouby lze snadno otočit mírným nakloněním skříňky.

Otáčením vyrovňovacích šroubů proti směru hodinových  ručiček jednotku zvednete, otáčením ve směru hodinových  ručiček ji snížíte.

Přemístění spotřebiče

1. Před přemístěním chladničky vyjměte všechny předměty zevnitř, vytáhněte zástrčku ze zásuvky.
2. Zavřete dveře a zalepte je páskou. Skleněné přepážky, držáky na zeleninu, zásuvky mrazicí komory a další předměty zafixujte páskou. Utáhněte vyrovňovací nožičky.
3. Spotřebič přemísťujte opatrně ve více než dvou lidech. Spotřebič nesmí být příliš často přenášen vzhůru nohama, ve vodorovné poloze nebo vibrován; náklon nesmí překročit 45 stupňů.
4. Po instalaci spotřebiče zapojte zástrčku do zásuvky a spotřebič zapněte.

POZOR

Bezpečnostní opatření před provozem:

Před jakoukoli úpravou musí být chladnička vypnutá.

Případnému zranění osob je třeba zabránit dodržováním bezpečnostních opatření.

Umístění

- Před použitím odstraňte všechny obalové materiály, včetně polštářků dna, pěnových podložek a pásek uvnitř chladničky; strhněte ochrannou fólii na dveřích a těle chladničky.
- Chraňte před teplem a vyhýbejte se přímému slunečnímu záření. Neumísťujte mrazničku do vlhkého nebo vlhkého prostředí, abyste zabránili korozi nebo snížení izolace.
- Chladničku nestříkejte ani nemyjte; neumísťujte ji na vlhká místa snadno postříkatelná vodou, aby nedošlo k narušení elektroizolačních vlastností chladničky.
- Chladničku umístěte na dobře větrané vnitřní místo; půda musí být rovná a stabilní (v případě nestability otáčejte kolečkem doleva nebo doprava a nastavte ho pro vyrovnění).

Výměna dveří zprava doleva (volitelně)

Podle toho, kde plánujete chladničku používat, může být výhodnější mít dveře v opačné poloze.

UPOZORNĚNÍ

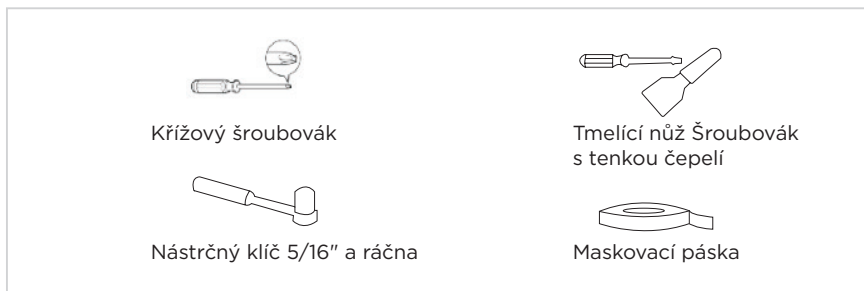
UPOZORNĚNÍ: Abyste předešli zranění sebe nebo svého majetku, doporučujeme, aby vám při procesu otáčení dveří někdo asistoval.

Příprava na změnu polohy dveří

Budete potřebovat: Standardní šroubovák, křížový šroubovák a imbusový klíč, který je součástí dodávky.

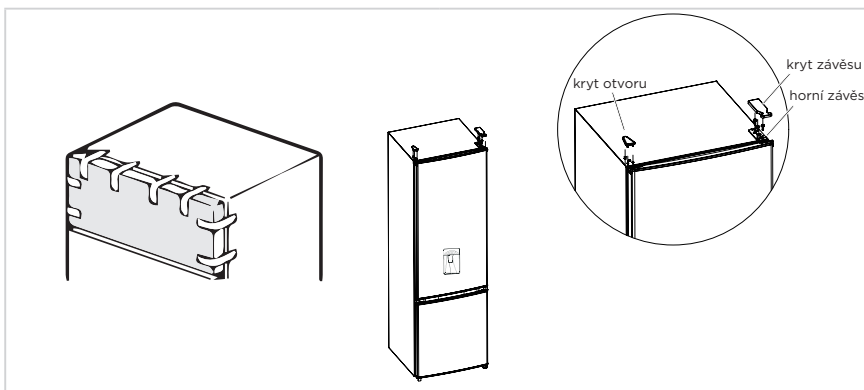
- Ujistěte se, že je chladnička odpojená od sítě a prázdná.
- Mějte k dispozici někoho, kdo vám bude při procesu asistovat.
- Všechny vyjmuté díly si uschovejte, abyste je mohli později znovu použít.

Nářadí potřebné k výměně dveří:

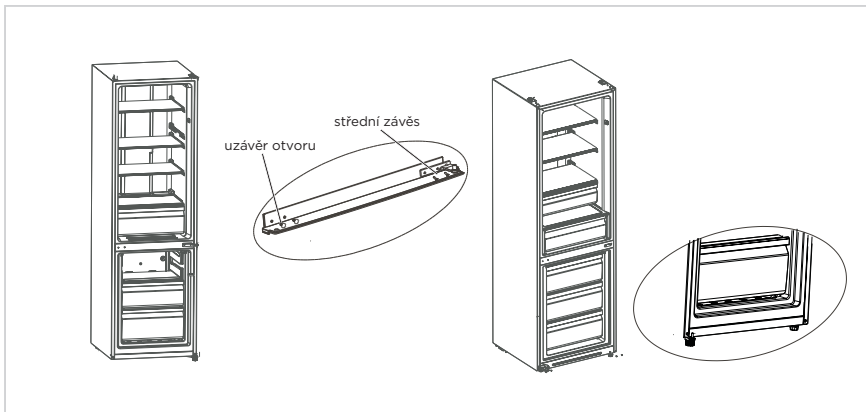


Krok

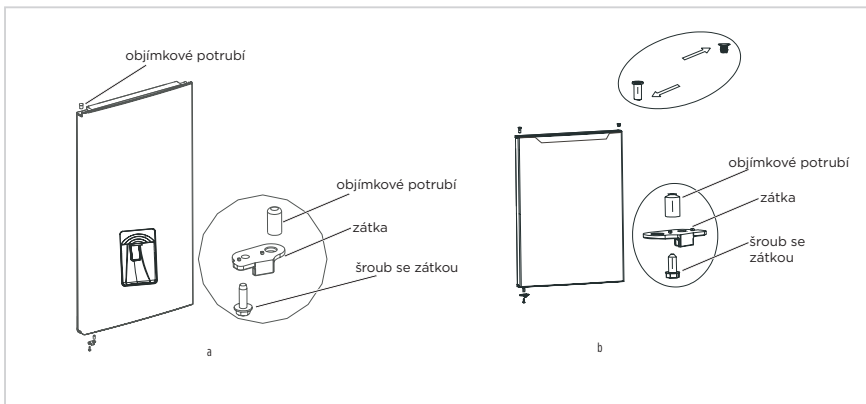
1. Před provedením této operace vypněte spotřebič.
Odstraňte všechny potraviny z vnitřního obložení dveří. Dveře zalepte páskou.
2. Demontujte kryt otvoru, kryt závěsu a horní závěs.



3. Odstraňte dveře chladicí komory, prostřední závěs (k vytažení šroubu prostředního závěsu budete potřebovat imbusový klíč) a kryt otvoru na druhé straně.
4. Vyjměte dveře mrazničky, poté rozeberte spodní závěs, krytky otvorů a vyrovnávací nožku. Nakonec nainstalujte spodní závěs na opačné straně.



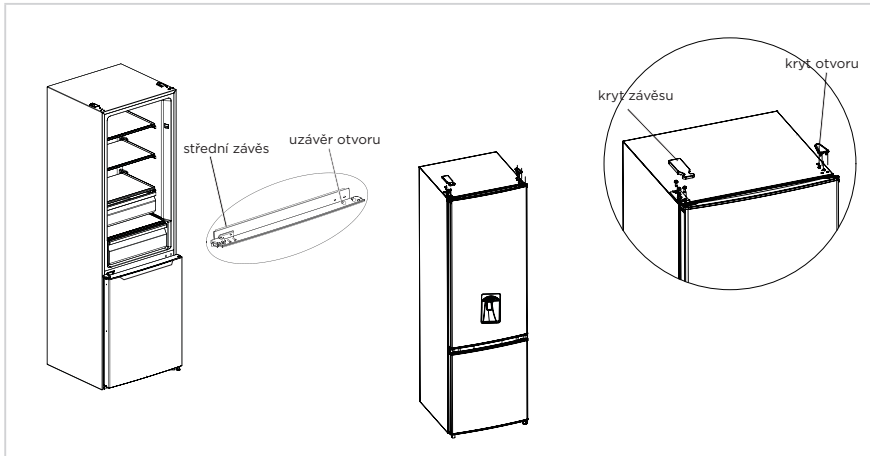
5. a) Vyjměte zátku dveří a trubku objímky z chladicí komory. Sešroubujte zátku a trubku objímky v levé dolní části dveří.
b) Vyjměte zátku a trubku objímky z pravé strany dvířek mrazicí komory a poté zašroubujte zátku a trubku objímky na místo v levé spodní části dvířek. Sundejte trubku objímky a krytky otvorů na dvířkách mrazicí komory a namontujte je na druhou stranu.



6. Nasadte mrazicí dveře na spodní závěs a nainstalujte střední závěs, krytky otvorů.
7. Dveře chladicí komory nasadte na střední závěs a nainstalujte horní závěs, kryt závěsu.

8. Dveře chladicí komory nasadíte na střední závěs a nainstalujete horní závěs, kryt závěsu.

Před instalací horního krytu závěsu je třeba potvrdit následující skutečnosti. Aby se zabránilo vychýlení šroubu, měly by být šrouby držící závěs pevně přitlačeny k povrchu závěsu. Po instalaci závěsu zkontrolujte, zda nedochází k jeho chvění.

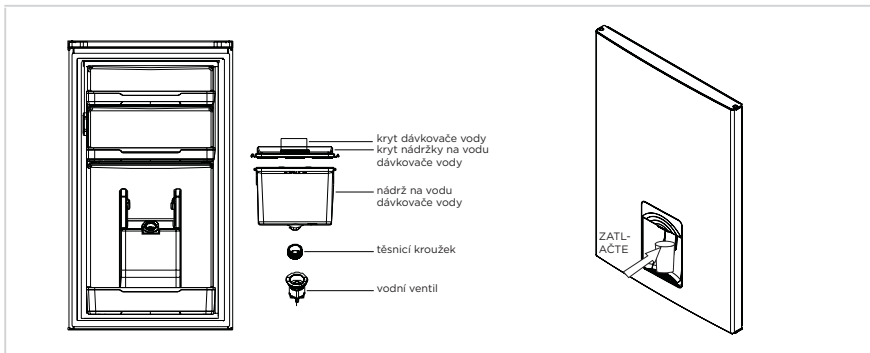


POZOR

Výše uvedený obrázek je pouze orientační. Skutečná konfigurace bude záviset na fyzickém produktu nebo prohlášení distributora.

Použití dávkovače vody (volitelné)

1. Nejprve otevřete kryt přívodu vody a naplňte jej pitnou vodou až po označení "MAX" jako maximální množství vody.
2. Pomocí pohárku zatlačte spoušť dovnitř, voda bude vytékat, když se spoušť vrátí do původní polohy, voda se zastaví.
3. Dávkovač vody lze použít pouze pro čistou vodu, není vhodný pro nápoje nebo ovocné šťávy.



Změna světla

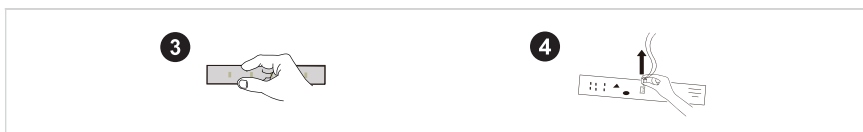
- Výměnu nebo údržbu LED žárovek má provádět výrobce, jeho servisní zástupce nebo jiná podobně kvalifikovaná osoba. Tento výrobek obsahuje světelný zdroj s třídou energetické účinnosti "F".

Krok

1. Před vyjmutím vyjměte zástrčku.
2. Stínidlo sejměte pomocí šroubováku.



3. Sundejte panel lampy.
4. Odstraňte přípojovací svorku.



Připojení spotřebiče

Před prvním spuštěním nechte chladničku dvě hodiny v klidu, než ji připojíte k napájení.

● POZOR

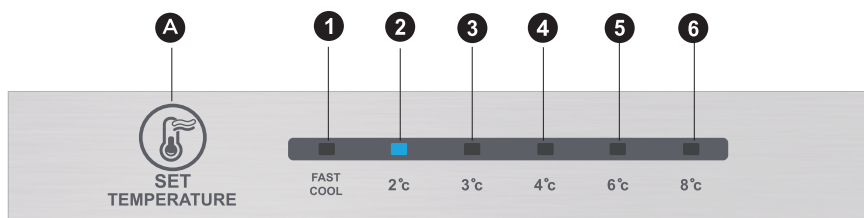
Před vložením čerstvých nebo mražených potravin musí být chladnička v provozu 2 až 3 hodiny, v létě při vysoké okolní teplotě až 4 hodiny.

Tipy pro úsporu energie

- Spotřebič by měl být umístěn v nejchladnější části místnosti, mimo dosah spotřebičů produkujících teplo nebo topných kanálů a mimo dosah přímého slunečního záření.
- Před vložením do spotřebiče nechte horké potraviny vychladnout na pokojovou teplotu. Přetížení spotřebiče nutí kompresor k delšímu provozu. Potraviny, které se zmrazují příliš pomalu, mohou ztratit kvalitu nebo se kazit.
- Před vložením nádob do spotřebiče se ujistěte, že jsou suché a že jsou potraviny řádně zabalené. Tím se sníží hromadění námrazy uvnitř spotřebiče.
- Zásobník spotřebiče by neměl být vyložen hliníkovou fólií, voskovaným papírem ani papírovými utěrkami. Vložky brání cirkulaci studeného vzduchu a snižují účinnost spotřebiče.
- Uspořádejte a označte potraviny, abyste omezili otevírání dveří a delší hledání. Vyjměte najednou tolik položek, kolik je zapotřebí, a co nejdříve zavřete dveře.

NÁVOD K OBSLUZE

Ovládací panel



POZOR

Výše uvedený obrázek je pouze orientační. Skutečná konfigurace závisí na fyzickém produktu nebo na prohlášení distributora.

Klíč

A Tlačítko alarm/power off/power on (Alarmu/vypnutí/zapnutí)

CZ

Obrazovka displeje

1	nastavení teploty 1
2	nastavení teploty 2
3	nastavení teploty 3
4	nastavení teploty 4
5	nastavení teploty 5
6	nastavení teploty 6

Displej

Po zapnutí chladničky se displej (včetně kontrolky tlačítek) na 3 sekundy jasně rozsvítí, než spotřebič začne pracovat při nastavení teploty 4.

Zobrazení normálního chodu

Pokud dojde k poruše, příslušná kontrolka LED zobrazí kombinovaný kód poruchy (na displeji pro recyklaci);

Pokud nedošlo k poruše, kontrolka LED zobrazí stávající nastavení teploty.

POZOR

Skutečný ovládací panel se může u jednotlivých modelů lišit.

Návod k obsluze

Nastavení převodového stupně

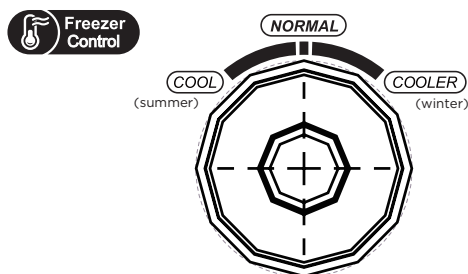
- Nastavení teploty se změní vždy jednou, když stisknete tlačítko SET (NASTAVÍ). Po 15 s bude chladnička pracovat podle nové nastavené hodnoty.
Nastavení 1 → Nastavení 2 → Nastavení 3 → Nastavení 4 → Nastavení 5 → Nastavení 6 → Nastavení 1 →

Režim Fast cool (Rychlého chlazení):

- Vstupte: Režim rapid cooling (rychlého chlazení) s cirkulační modulací.
- Provozovat: Rozsvítí se indikátor rychlého chlazení a chladnička pracuje při teplotě 2 °C.
- Fast cool (Rychlého chlazení) režim je automaticky vypnut po dobu 24 hodin.
- Funkci Fast cool (Rychlého chlazení) lze použít jako funkci Super freezing (Supermrazení).

Regulace teploty mrazicí komory

- Poloha "NORMAL" (NORMÁLNÍ) se obvykle používá proto, že v poloze "COOLER" (CHLADIČ) je teplota mrazu relativně nízká a v poloze "COOL" (CHLAZENÍ) relativně vysoká.
- Když je okolní teplota v létě vysoká, musí být teplota v rozmezí "NORMAL" (NORMÁLNÍ) až "COOL" (CHLAZENÍ). Pokud je okolní teplota vyšší než 35 °C, je rozhodující poloha "COOL" (CHLAZENÍ).
- Když je okolní teplota v zimě nízká, musí být teplota v rozmezí "NORMAL" (NORMÁLNÍ) až "COOLER" (CHLADIČ). Pokud je okolní teplota nižší než 10 °C, má přednost poloha "COOLER" (CHLADIČ).



Chybový kód

- Následující varování zobrazená na displeji indikují odpovídající poruchy chladničky.
- Uživatel se musí obrátit na odborníka na údržbu, i když chladnička může být stále schopna chladit a mrazit při následujících závadách, aby bylo zajištěno normální používání chladničky.

Kód Poruchy	Popis Poruchy
Svítlí LED 1 a LED 2	Obvod čidla teploty chladničky
Svítlí LED 1 a LED 3	Senzor odmrazování mrazničky
Svítlí LED 4 a LED 4	Čidlo okolní teploty

Chladicí komora

- Různé druhy ovoce, zeleniny, nápojů a dalších potravin, které se rychle spotřebují, lze v chladničce skladovat po dobu tří až pěti dnů.
- Potravinu určené k vaření se do chladicí komory vkládají až po vychladnutí na pokojovou teplotu.
- Potravinu se doporučuje před vložením do chladicí komory uzavřít.
- Skleněné police lze nastavit nahoru nebo dolů pro přiměřené množství úložného prostoru a snadné použití.

Mrazicí komora

- Mrazicí komora s nízkou teplotou může udržet potraviny dlouho čerstvé a používá se hlavně ke skladování zmrazených potravin a výrobě ledu.
- Mrazicí komora je vhodná pro skladování masa, ryb, rýžových kuliček a dalších potravin, které se nespotebují v krátké době.
- Kusy masa je vhodné rozdělit na malé kousky pro rychlé zmrazení a snadný přístup. Vezměte prosím na vědomí, že potraviny musí být spotřebovány v rámci doby trvanlivosti.

Číslo	TYP přihrádek	Teplota cílového úložiště. [°C]	Vhodné potraviny
1	Chladnička	+2 - +8	Vejce, vařené potraviny, balené potraviny, ovoce a zelenina, mléčné výrobky, koláče, nápoje a další potraviny nejsou vhodné ke zmrazení.
2	(***)*-Mraznička	≤-18	Mořské plody (ryby, krevety, měkkýši), sladkovodní produkty a masné výrobky (doporučená doba skladování 3 měsíce, čím delší doba skladování, tím horší chuť a výživové hodnoty), vhodné pro zmrazené čerstvé potraviny.
3	***-Mraznička	≤-18	Mořské plody (ryby, krevety, měkkýši), sladkovodní produkty a masné výrobky (doporučená doba skladování 3 měsíce, čím delší doba skladování, tím horší chuť a výživové hodnoty), vhodné pro zmrazené čerstvé potraviny.
4	** -Mraznička	≤-12	Mořské plody (ryby, krevety, měkkýši), sladkovodní produkty a masné výrobky (doporučená doba skladování 3 měsíce, čím delší doba skladování, tím horší chuť a výživové hodnoty), vhodné pro zmrazené čerstvé potraviny.
5	*-Mraznička	≤-6	Mořské plody (ryby, krevety, měkkýši), sladkovodní produkty a masné výrobky (doporučená doba skladování 3 měsíce, čím delší doba skladování, tím horší chuť a výživové hodnoty), vhodné pro zmrazené čerstvé potraviny.
6	O-star	-6 - 0	Čerstvé vepřové maso, hovězí maso, ryby, kuřecí maso, některé balené zpracované potraviny atd. (Doporučuje se sníst během téhož dne, nejlépe do 3 dnů). Částečně zapouzdřené zpracované potraviny (nemrazitelné potraviny).
7	Mrazení	-2 - +3	Čerstvé/mražené vepřové maso, hovězí maso, kuřecí maso, sladkovodní produkty atd. (7 dní pod 0 °C a nad 0 °C se doporučuje spotřebovat během téhož dne, nejlépe ne za déle než 2 dny). Mořské plody (méně než 0 po dobu 15 dní, nedoporučuje se skladovat nad 0 °C).
8	Čerstvé potraviny	0 - +4	Čerstvé vepřové maso, hovězí maso, ryby, kuřecí maso, vařené jídlo atd. (Doporučuje se sníst během téhož dne, nejlépe ne za déle než 3 dny).
9	Víno	+5 - +20	Červené víno, bílé víno, šumivé víno atd.

CZ

POZOR

Skládajte různé potraviny podle přihrádek nebo cílové skladovací teploty zakoupených potravin.

ČIŠTĚNÍ A ÚDRŽBA

Celkové čištění

- Prach za chladničkou a na zemi je třeba včas vyčistit, aby se zlepšil chladicí účinek a úspora energie.
- Pravidelně kontrolujte těsnění dveří, abyste se ujistili, že na nich nejsou žádné nečistoty. Těsnění dveří čistíte měkkým hadříkem navlhčeným mýdlovou vodou nebo zředěným čisticím prostředkem.
- Vnitřek chladničky by se měl pravidelně čistit, aby se zabránilo zápachu.
- Před čištěním vnitřního prostoru vypněte napájení, vyjměte všechny potraviny, nápoje, police, zásuvky atd.
- K čištění vnitřku chladničky použijte měkký hadřík nebo houbičku se dvěma lžicemi jedlé sody a čtvrt litrem teplé vody. Poté jej opláchněte vodou a otřete. Po vyčištění otevřete dvířka a nechte je přirozeně vyschnout, než zapnete napájení.
- Aby se v místech chladničky, která se obtížně čistí (např. úzké sendviče, mezery nebo rohy), netvořily nečistoty nebo bakterie, doporučuje se tato místa často otírat měkkým hadrem, měkkým kartáčem apod. a v případě potřeby i v kombinaci s některými pomocnými nástroji (např. tenkými tyčinkami).
- Nepoužívejte mýdlo, čisticí prostředky, drhnoucí prášek, čisticí prostředky ve spreji apod. protože mohou způsobit zápach ve vnitřním prostoru chladničky nebo kontaminaci potravin.
- Rám lahví, police a zásuvky čistíte měkkým hadříkem navlhčeným mýdlovou vodou nebo zředěným čisticím prostředkem. Osušte je měkkým hadříkem nebo je vysušte přirozeně.
- Vnější povrch chladničky otřete měkkým hadříkem navlhčeným mýdlovou vodou, saponátem apod. a poté otřete do sucha.
- Nepoužívejte tvrdé kartáče, čisté ocelové kuličky, drátěné kartáče, abrazivní prostředky (např. zubní pasty), organická rozpouštědla (např. alkohol, aceton, banánový olej apod.), vařící vodu, kyselé nebo alkalické předměty, které mohou poškodit povrch a vnitřek chladničky. Vroucí voda a organická rozpouštědla, jako je benzen, mohou deformovat nebo poškodit plastové díly.
- Při čištění neoplachujte přímo vodou nebo jinými tekutinami, aby nedošlo ke zkratu nebo ovlivnění elektrické izolace po ponoření.

POZOR

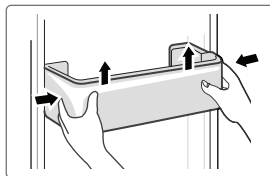
Pro rozmrazování a čištění odpojte chladničku od sítě.

Rozmrazování

- Chladnička je vyrobena na principu chlazení vzduchem, a proto má funkci automatického odmrazování. Námraza vzniklou změnou ročního období nebo teploty lze také odstranit ručně odpojením spotřebiče od napájení nebo otřením suchou utěrkou.

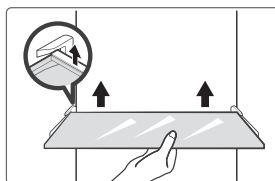
Čištění přihrádky dveří

- Podle směrové šipky na obrázku níže stiskněte zásobník oběma rukama a zatlačte jej směrem nahoru, poté jej můžete vyjmout.
- Po umytí zásobníku, který byl vyjmut, můžete upravit jeho instalační výšku podle svých požadavků.



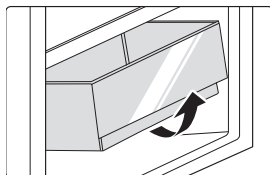
Čištění skleněné police

- Před vyjmutím polic je nutné police zvednout, protože nejnitřnější část vložky chladničky, která se dotýká polic, je opatřena zádržkou.
- Nastavte nebo vyčistěte police podle svých požadavků.



Čištění zásuvky na zeleninu

1. Vyjměte obsah zásuvky. Držte rukojeť zásuvky na zeleninu a úplně ji vytáhněte, dokud se nezastaví.
2. Zvedněte zásuvku na zeleninu a vyjměte ji vytážením.



Mimo provoz

Výpadek napájení:

V případě výpadku proudu, i když je léto, lze potraviny uvnitř spotřebiče uchovávat několik hodin; během výpadku proudu se zkrátí doba otevírání dvířek a do spotřebiče se již nevkládají žádné čerstvé potraviny.

Dlouhodobé nepoužívání:

Spotřebič se odpojí od sítě a poté se vyčistí; poté se dvířka nechají otevřená, aby se zabránilo zápachu.

Stěhování:

Před stěhováním chladničky vyjměte všechny předměty zevnitř, připevněte páskou skleněné přepážky, držák zeleniny, zásuvky mrazicí komory atd. a utáhněte vyrovnávací nožičky; zavřete dveře a připevněte je páskou. Během přemístování nesmí být spotřebič položen vzhůru nohama nebo ve vodorovné poloze, ani nesmí být vibrován; náklon během přemístování nesmí být větší než 45°.

● POZOR

Po spuštění musí spotřebič běžet nepřetržitě. Obecně platí, že provoz spotřebiče nesmí být přerušen, jinak může dojít ke snížení životnosti.

ŘEŠENÍ PROBLÉMŮ

Následující jednoduché problémy může řešit uživatel. Pokud se problémy nevyřeší, zavolejte prosím oddělení poprodejního servisu.

Problém	Možný důvod
Neúspěšná operace	<ul style="list-style-type: none">• Zkontrolujte, zda je spotřebič připojen k napájení nebo zda je zástrčka v dobrém kontaktu.
	<ul style="list-style-type: none">• Zkontrolujte, zda není napětí příliš nízké.
	<ul style="list-style-type: none">• Zkontrolujte, zda nedošlo k výpadku napájení nebo k vypnutí dílčích obvodů.
Zápach	<ul style="list-style-type: none">• Páchnoucí potraviny musí být pevně zabaleny
	<ul style="list-style-type: none">• Zkontrolujte, zda se v ní nenachází zkažené potraviny.
	<ul style="list-style-type: none">• Vyčistěte vnitřek chladničky
Dlouhodobý provoz kompresoru	<ul style="list-style-type: none">• Dlouhý provoz chladničky je v létě normální.
	<ul style="list-style-type: none">• při vysoké okolní teplotě Není vhodné mít ve spotřebiči příliš mnoho potravin najednou.
	<ul style="list-style-type: none">• Potraviny musí před vložením do spotřebiče vychladnout.
	<ul style="list-style-type: none">• Dveře se otevírají příliš často
Světlo se nerozsvítí	<ul style="list-style-type: none">• Zkontrolujte, zda je chladnička připojena k napájení a zda není poškozeno osvětlení.
	<ul style="list-style-type: none">• Nechte si světlo vyměnit u odborníka.
Dveře nelze řádně zavřít	<ul style="list-style-type: none">• Dveře se zasekávají o obaly s potravinami Je v nich umístěno příliš mnoho potravin.
	<ul style="list-style-type: none">• Chladnička je nakloněná.
Hlasité zvuky	<ul style="list-style-type: none">• Zkontrolujte, zda je podlaha rovná a zda je chladnička stabilně umístěna.
	<ul style="list-style-type: none">• Zkontrolujte, zda je příslušenství umístěno na správných místech.

Problém	Možný důvod
Těsnění dveří netěsní	<ul style="list-style-type: none"> • Odstraňte cizí tělesa na těsnění dveří. • Zahřátí těsnění dveří a jeho následné ochlazení pro obnovu (nebo jej vyfoukejte elektrickým vysoušečem nebo použijte horký ručník pro ohřev).
Přeplnění vodní nádrže	<ul style="list-style-type: none"> • V komoře je příliš mnoho potravin nebo uložené potraviny obsahují příliš mnoho vody, což vede k silnému rozmrazování. • Dveře nejsou správně zavřené, což vede k namrzání v důsledku přístupu vzduchu a zvýšenému množství vody v důsledku odmrazování.
Horké bydlení	<ul style="list-style-type: none"> • Odvádění tepla vestavěného kondenzátoru přes kryt, což je normální. Když se kryt zahřeje v důsledku vysoké okolní teploty, skladování příliš velkého množství potravin nebo vypnutí kompresoru, zajistěte zvukovou ventilaci, abyste usnadnili odvádění tepla.
Povrchová kondenzace	<ul style="list-style-type: none"> • Kondenzace na vnějším povrchu a těsnění dveří chladničky je normální, pokud je okolní vlhkost příliš vysoká. Kondenzát stačí otřít čistou utěrkou.
Abnormální hluk	<ul style="list-style-type: none"> • Buzz: Kompresor může během provozu vydávat bzučení, které je hlasité zejména při spuštění nebo zastavení. To je normální. • Creak: Chladivo proudící uvnitř spotřebiče může vrzat, což je normální.

PŘÍLOHA

Speciální pro novou evropskou normu

Objednané díly uvedené v následující tabulce lze získat v kanálu poskytovatele služeb

Objednaný díl	Poskytuje	Minimální doba potřebná pro poskytnutí
Termostaty	Profesionální pracovníci údržby	Nejméně 7 let po uvedení posledního modelu na trh
Teplotní čidla	Profesionální pracovníci údržby	Nejméně 7 let po uvedení posledního modelu na trh
Desky s plošnými spoji	Profesionální pracovníci údržby	Nejméně 7 let po uvedení posledního modelu na trh
Zdroje světla	Profesionální pracovníci údržby	Nejméně 7 let po uvedení posledního modelu na trh
Dveřní klika	Profesionální opraváři a koneční uživatelé	Nejméně 7 let po uvedení posledního modelu na trh
Závěsy dveří	Profesionální opraváři a koneční uživatelé	Nejméně 7 let po uvedení posledního modelu na trh
Zásobníky	Profesionální opraváři a koneční uživatelé	Nejméně 7 let po uvedení posledního modelu na trh
Koše	Profesionální opraváři a koneční uživatelé	Nejméně 7 let po uvedení posledního modelu na trh
Těsnění dveří	Profesionální opraváři a koneční uživatelé	Nejméně 10 let po uvedení posledního modelu na trh

Vážení zákazníku

1. Pokud chcete výrobek vrátit nebo vyměnit, obraťte se na obchod, kde jste jej zakoupili.

(Nezapomeňte s sebou vzít fakturu za nákup)

2. Pokud se váš výrobek porouchá a je třeba jej opravit, obraťte se na poskytovatele poprodejního servisu.

POZOR

Informace o modelu v databázi výrobků, stejně jako identifikátor modelu, lze získat prostřednictvím webového odkazu naskenovaného pomocí QR kódu, pokud je uveden na štítku energetické účinnosti výrobku.

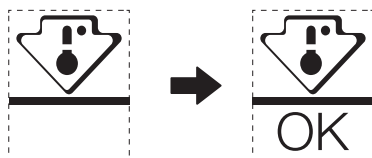
Další informace o energetické účinnosti spotřebiče naleznete na adrese <https://ec.europa.eu>, kde zadejte název modelu.

Název modelu najdete na výrobním štítku spotřebiče.

Nejchladnější zóna v chladničce

VOLITELNĚ: Indikátor teploty OK

- Teploty nižší než +4 °C lze určit pomocí indikátoru teploty OK. Pokud se na ukazateli neobjeví nápis "OK", postupně snižujete teplotu.



- Pro zajištění teploty v této oblasti neměňte umístění police. Chladničky s nuceným oběhem vzduchu (vybavené ventilátorem nebo modely No Frost), symbol nejchladnější zóny není znázorněn, protože teplota uvnitř je homogenní.

Nastavení indikátoru teploty

- Má indikátor teploty, který sleduje typickou teplotu v nejchladnější zóně, aby vám pomohl správně nastavit chladničku.
- UPOZORNĚNÍ: Tento indikátor je určen pouze pro vaši chladničku; nepokoušejte se jej používat v jiných chladničkách (nejchladnější zóna v každé chladničce je jiná).

Kontrola teploty v nejchladnější zóně

- Pomocí ukazatele teploty můžete pravidelně kontrolovat, zda je teplota nejchladnější zóny správná. Vnitřní teplota chladničky totiž závisí na několika faktorech, jako je okolní teplota v místnosti, množství uložených potravin a četnost otevírání dveří. Tyto faktory berte v úvahu při nastavování zařízení.
- Pokud indikátor ukazuje "OK", je termostat správně nastaven a vnitřní teplota je odpovídající.
- Pokud se ukazatel teploty změní na BÍLÝ, znamená to, že je teplota příliš vysoká. V takovém případě zvyšte nastavení regulace teploty v chladničce a před vizuální kontrolou nechte ukazatel svítit dalších 12 hodin. Po vložení čerstvých potravin nebo při ponechání otevřených dvířek se může stát, že se ukazatel teploty po chvíli změní na BÍLÝ.

ĎAKOVNÝ LIST

Ďakujeme, že ste si vybrali Midea! Pred použitím vášho nového výrobku Midea si pozorne prečítajte tento návod, aby ste sa uistili, že viete, ako bezpečne ovládať vlastnosti a funkcie, ktoré váš nový spotrebič ponúka.

OBSAH

ĎAKOVNÝ LIST	01
ŠPECIFIKÁCIE	02
PREHLAD VÝROBKU	03
UMIESTNENIE PRODUKTU	04
NÁVOD NA OBSLUHU	11
ČISTNIE A ÚDRŽBA.....	15
RIEŠENIE PROBLÉMOV	17
DODATOK.....	19

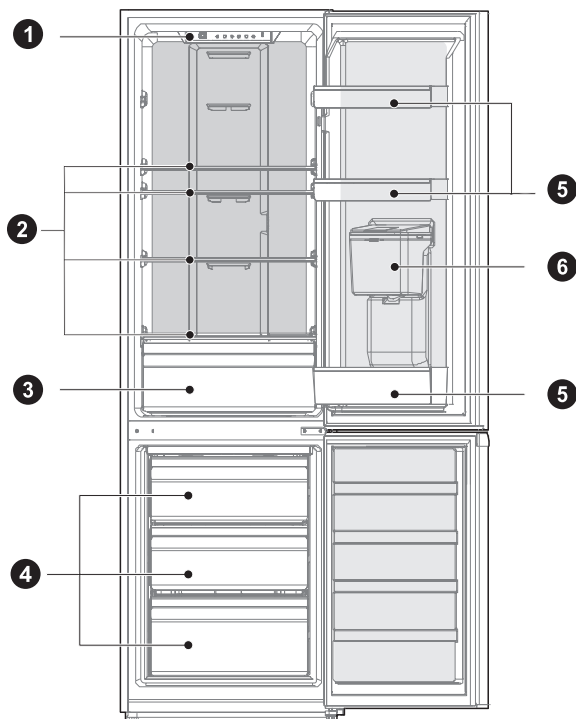
ŠPECIFIKÁCIE

Model výrobku	MDRB380FGE SERIES
Objem Priestoru na Skladovanie Čerstvých Potravín	199L
Objem Priestoru na Skladovanie Mrazených Potravín	71L
Typ Rozmrazovania	Automatické Rozmrazovanie
Doba Stúpania Teploty	7h
Zmrazovacia Kapacita	3,5kg/24h
Menovité Napätie	220-240V-
Napätie	0,6A
Celkové rozmery (V x Š x H)	1800x545x625mm

SK

PREHĽAD VÝROBKU

názvy súčiastok



- | | |
|----------------------------|------------------------------------|
| 1 LED svetlo | 4 Zásuvka |
| 2 Polička | 5 Priehradka vo dverách chladničky |
| 3 Box na ovocie a zeleninu | 6 Dávkovač vody (voliteľné) |

UPOZORNENIE

Obrázok vyššie slúži iba na informáciu. Skutočná konfigurácia bude závisieť od fyzického produktu alebo vyjadrenia distribútora.

UMIESTNENIE PRODUKTU

Návod na inštaláciu

Pre chladiace spotrebiče s klimatickou triedou

- V závislosti od klimatickej triedy, táto chladnička je určená na používanie pri teplotách okolia, ako je uvedené v nasledujúcej tabuľke.
- Klimatická trieda je uvedená na typovom štítku. Výrobok nemusí správne fungovať pri teplotách mimo špecifického rozsahu.
- Klimatická trieda je uvedená štítku produktu.

Efektívny teplotný rozsah

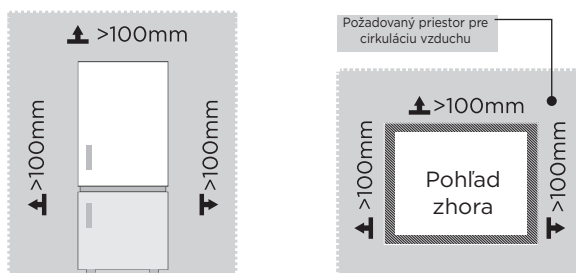
- Produkt je navrhnutý tak, aby normálne fungoval v rozsahu teplôt určenom jeho triedou.

Trieda	Symbol	Rozsah teploty okolia °C	
		IEC 62552 (ISO 15502)	ISO 8561
Predĺžené mierne	SN	+ 10 do + 32	+ 10 do + 32
Mierne	N	+ 16 do + 32	+ 16 do + 32
Subtropické	ST	+ 16 do + 38	+ 18 do + 38
Tropické	T	+ 16 do + 43	+ 18 do + 43

SK

Rozmery a priestor

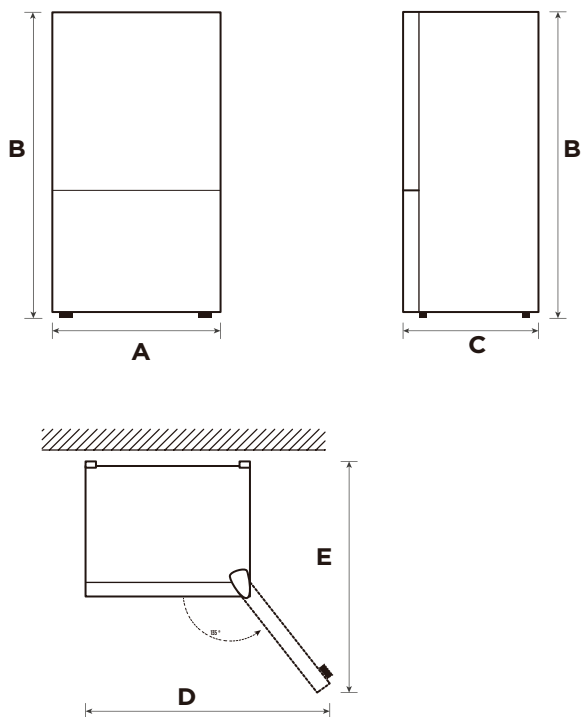
- Príliš malá vzdialenosť od príslušných predmetov môže mať za následok zhoršenie schopnosti mrazenia a zvýšenie nákladov na elektrickú energiu. Pri inštalácii spotrebiča ponechajte viac ako 100 mm voľného priestoru od každej príľahlej steny.



UPOZORNENIE

Obrázok vyššie slúži iba na informáciu. Skutočná konfigurácia bude závisieť od fyzického produktu alebo vyjadrenia distribútora.

Schéma požiadaviek na priestor (keď sú dvere otvorené a keď sú dvere zatvorené)



SK

Šírka	Celková Výška	Hĺbka	Šírka otvorených dvierok 135°	Hĺbka otvorených dvierok 135°
A	B	C	D	E
545	1800	625	820	1070

Poznámka: Všetky rozmery sú v mm



Vyrovňavacie nohy

Aby sa predišlo vibráciám, musí byť jednotka vyrovnaná.

V prípade potreby upravte vyrovňavacie skrutky, aby sa vyrovnala nerovnosť podlahy.

Predná časť by mala byť o niečo vyššia ako zadná, aby sa uľahčilo zatváranie dverí.

Vyrovňavacie skrutky je možné ľahko otáčať miernym preklopením skrinky.

Otáčaním vyrovňavacích skrutiek proti smeru hodinových  ručičiek jednotku zdvihnete, v smere hodinových  ručičiek ju znížite.

Presúvanie spotrebiča

1. Pred premiestnením chladničky vyberte naruby všetky predmety a vytiahnite napájaciu zástrčku.
2. Zafixujte sklenené priečky, držiak na zeleninu, zásuvky mraziacej komory a podobné páskou, utiahnite vyrovňavacie nožičky, zatvorte dvere a zaistite ich páskou.
3. Spotrebič presúvajte opatrne a vo dvojici. Chladničku neotáčajte naopak ani ňou netraste a uhol prenášania nesmie byť väčší ako 45°.
4. Po inštalácii spotrebiča pripojte sieťovú zástrčku do elektrickej zásuvky a zapnite ho.

UPOZORNENIE

Opatrenia pred začiatkom operácie:

Pred vykonaním týchto zmien musí byť chladnička odpojená od sieťového napájania.

A mali by sa prijať preventívne opatrenia, aby sa predišlo akémukoľvek zraneniu osôb.

Umiestnenie

- Pred použitím odstráňte všetok obalový materiál, vrátane spodných vankúšikov, penových vankúšikov a pásov vo vnútri chladničky.
- Chráňte spotrebič pred teplom a vyhýbajte sa priamemu slnečnému žiareniu. Neumiestňujte chladničku na vlhké alebo vodnaté miesta, aby ste zabránili tvorbe hrdzee alebo znižovaniu izolačných účinkov.
- Neffkajte na chladničku ani ju neumývajte. Nedávajte chladničku na vlhké miesta, ktoré sú ľahko postriekané vodou, aby neovplyvnili elektrické izolačné vlastnosti chladničky.
- Chladnička je umiestnená na dobre vetranom vnútornom mieste; zem musí byť rovná a pevná (otočením doľava alebo doprava nastavte koliesko na vyrovnanie, pokiaľ je nestabilné).

Zmena smeru otvárania dverí (voliteľné)

V závislosti od miesta, kde plánujete používať vašu chladničku, môže byť pre vás vhodnejšie obrátiť smer otvárania dverí.

UPOZORNENIE

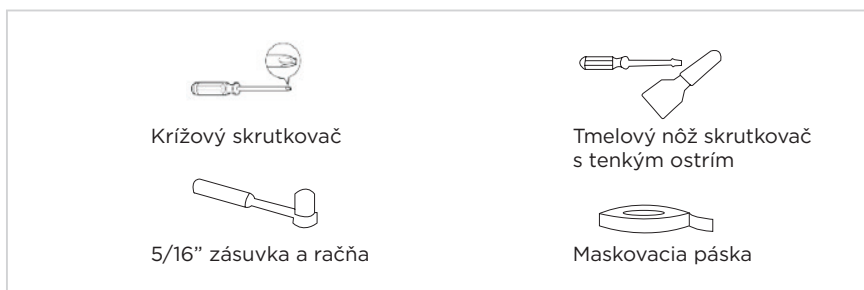
UPOZORNENIE: Aby ste predišli zraneniu používateľa a škodám na majetku, odporúčame, aby vám niekto asistoval počas procesu otáčania dverí.

Príprava na zmenu smeru otvárania dverí

Budete potrebovať: Štandardný skrutkovač, krížový skrutkovač a priložený imbusový kľúč.

- Uistite sa, že vaša chladnička je odpojená od elektrickej siete a prázdna.
- Majte k dispozícii niekoho, kto vám v tomto procese pomôže.
- Všetky časti, ktoré odstránite, si uschovajte, aby ste ich mohli znova použiť.

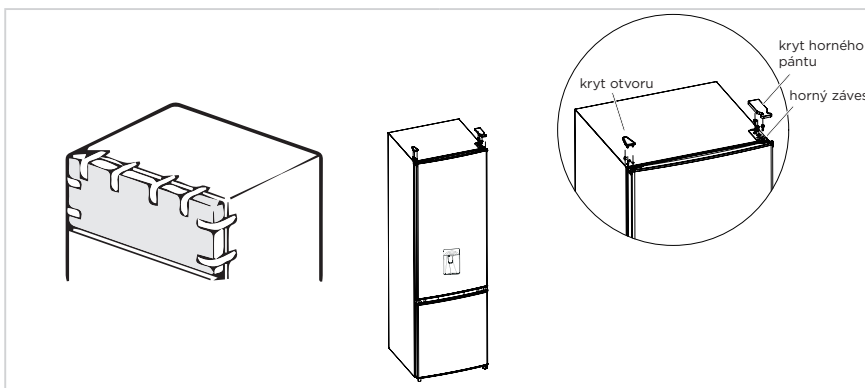
Nástroje potrebné na zmenu smeru otvárania dverí:



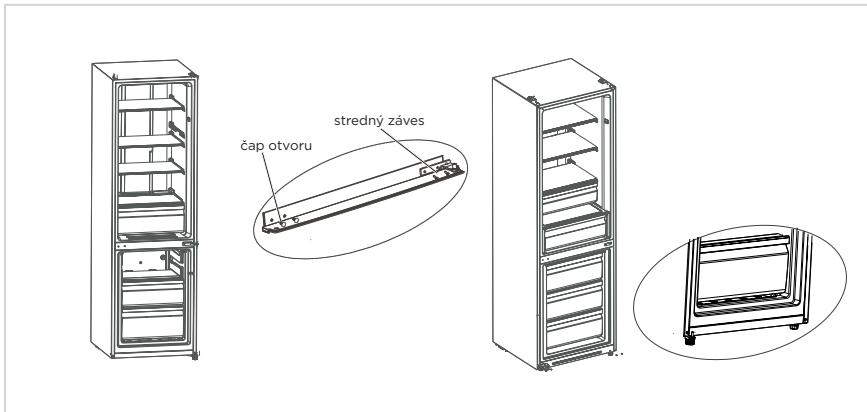
SK

Krok

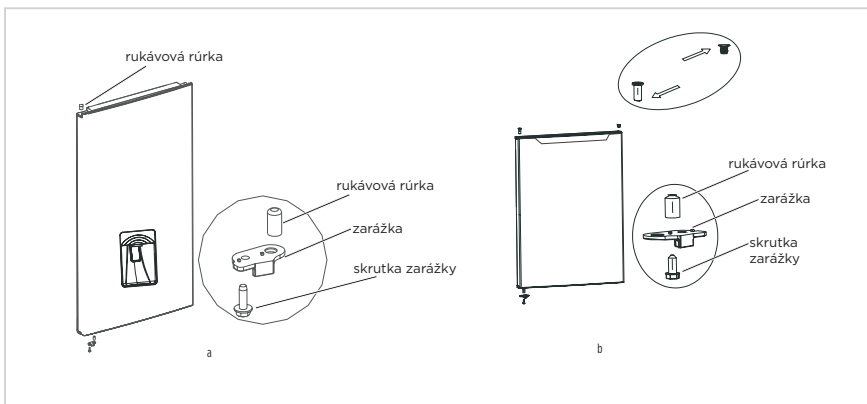
1. Prosíme vypnite toto zariadenie pred vykonaním tejto operácie.
Vyberte všetko jedlo z políc vo dverách. Zaistite dvere páskou.
2. Odstráňte kryt otvoru, kryt pántu a horný pánt.



3. Zložte dvere chladiacej komory, stredný pánt (pomocou imbusového kľúča odskrutkujte skrutku stredného pántu) a čap otvoru na druhej strane.
4. Zložte dvere mraziacej komory, demontujte spodný pánt, čapy otvorov, vyrovnávaciu nožičku, spodný pánt nainštalujte na opačnú stranu.



5. a) Demontujte zarážku, objímku dverí chladiacej komory. Namontujte objímku a zátku na ľavú spodnú stranu dverí pomocou skrutky.
- b) Demontujte zarážku a rukávovú rúrku sprava od dverí mraziacej komory, namontujte rukávovú rúrku a zarážku vľavo dole na dverkách pomocou skrutky. Odstráňte objímku a čapy otvorov na dverách mraziacej komory a namontujte ich na druhú stranu.

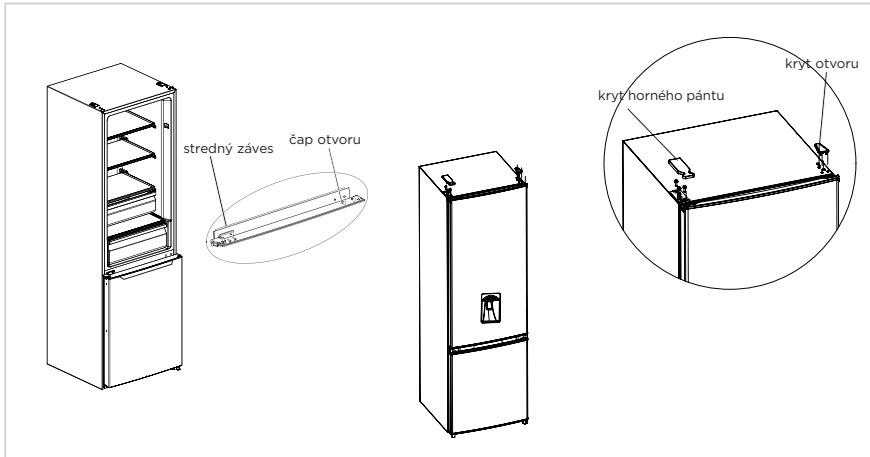


6. Nasadte dvere mraziacej komory na spodný pánt, nainštalujte stredný pánt, čapy otvorov.
7. Nasadte dvere chladiacej komory na stredný pánt, nainštalujte horný pánt, kryt pántu.

SK

8. Nasadte dvre chladiacej komory na stredný pánt, nainštalujte horný pánt, kryt pántu.

Pred inštaláciou krytu horného pántu je potrebné zaistiť nasledovné. Skrutky, ktoré držia záves, by mali byť pevne pritlačené k povrchu pántu, aby sa zabezpečilo, že sa skrutka nevychýli. Po nainštalovaní pántu sa uistite, že sa netrasie.



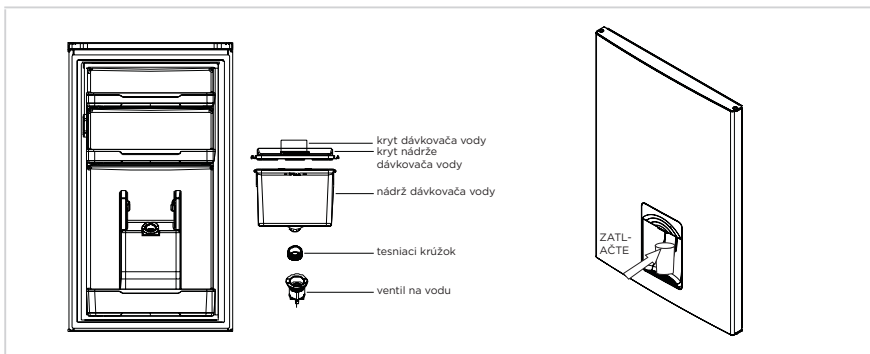
UPOZORNENIE

Obrázok vyššie slúži iba na informáciu. Skutočná konfigurácia bude závisieť od fyzického produktu alebo vyjadrenia distribútora.

SK

Použitie dávkovača vody (voliteľné)

1. Najprv otvorte kryt prívodu vody, naplňte pitnú vodu po značku „MAX“, ktorá označuje maximálne množstvo naplnenia.
2. Pomocou pohára zatlačte spúšť smerom dnu, voda bude tiecť, keď sa spúšť vráti do pôvodnej polohy, voda sa zastaví.
3. Dávkovač vody je možné použiť len na čistú vodu, nie je vhodný na nápoje alebo ovocné šťavy.

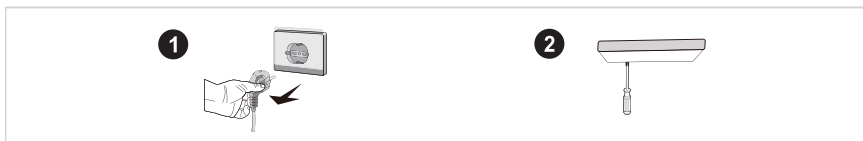


Výmena osvetlenia

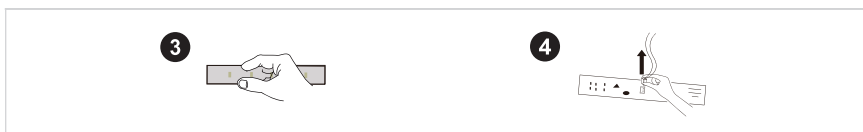
- Akúkoľvek výmenu alebo údržbu LED svetla musí vykonať výrobca, jeho servisný zástupca alebo podobná kvalifikovaná osoba. Tento výrobok obsahuje svetelný zdroj triedy energetickej účinnosti <F>.

Krok

1. Pred odstránením odpojte zariadenie od prívodu elektrickej energie.
2. Skrutkovačom odstráňte tienidlo.



3. Odstráňte panel lampy.
4. Odstráňte pripájaciu svorku.



Prípojenie spotrebiča

Pred pripojením napájania pri prvom uvedení do prevádzky musí chladnička zostať dve hodiny stať.

UPOZORNENIE

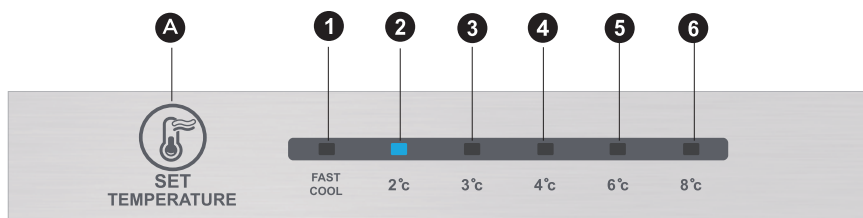
Pred umiestnením akýchkoľvek čerstvých alebo zmrazených potravín musí byť chladnička spustená po dobu 2 - 3 hodín alebo v lete nad 4 hodiny, keď je okolitá teplota vysoká.

Odporúčania na úsporu energie

- Spotrebič by mal byť umiestnený v najchladnejšej časti miestnosti, čo najďalej od spotrebičov vytvárajúcich teplo alebo vykurovacích potrubí a mimo priameho slnečného žiarenia.
- Pred vložením do spotrebiča nechajte horúce potraviny vychladnúť na izbovú teplotu. Preplnenie spotrebiča núti kompresor fungovať dlhšie. Potraviny, ktoré zamrznú veľmi pomaly môžu stratiť svoju kvalitu alebo sa môžu pokaziť.
- Pred vložením do spotrebiča nezabudnite potraviny správne zabaliť a vyutierať nádoby dosucha. Zníži sa tým tvorba námrazy vo vnútri spotrebiča.
- Úložný kôš zariadenia by nemal byť potiahnutý hliníkovou fóliou, voskovým papierom alebo papierovou utierkou. Tieto potahy narušajú cirkuláciu studeného vzduchu, čím znižujú účinnosť spotrebiča.
- Usporiadajte a označte jedlo, aby ste obmedzili otváranie dverí a dlhé hľadanie. Naraz vyberte toľko položiek, koľko bude potrebné a hneď ako to je možné zatvorte dverka.

NÁVOD NA OBSLUHU

Ovládací panel



UPOZORNENIE

Obrázok vyššie slúži iba na informáciu. Skutočná konfigurácia bude závisieť od fyzického produktu alebo vyjadrenia distribútora.

Kľúč

A Tlačidlo alarm/power off/power on (Alarmu/vypnutie/zapnutie)

Displej

1	nastavenie teploty 1
2	nastavenie teploty 2
3	nastavenie teploty 3
4	nastavenie teploty 4
5	nastavenie teploty 5
6	nastavenie teploty 6

zobraziť

Po zapnutí chladničky sa displej (vrátane kontrolky kľúča) rozsvieti naplno na 3 sekundy, potom chladnička beží podľa nastavenia teploty 4.

Zobrazenie normálnej prevádzky

Pri výskyte poruchy príslušná kontrolka LED zobrazí kombinované zobrazenie kódu poruchy (na displeji recyklácie).

Ak nedôjde k žiadnej poruche, LED kontrolka zobrazí existujúce nastavenie teploty.

UPOZORNENIE

Skutočný vzhľad ovládacích panelov sa môže v závislosti od modelu líšiť.

Prevádzkové pokyny

Nastavenie stupňa prevádzky

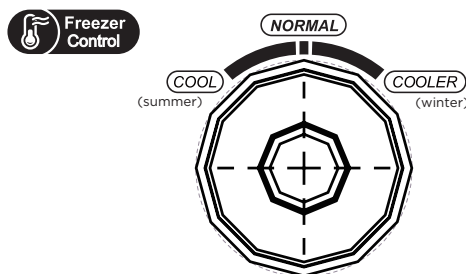
- Nastavenie teploty sa zmení vždy, keď stlačíte tlačidlo SET (NASTAVENIE). Potom bude chladnička po 15 sekundách bežať pod novou nastavenou hodnotou.
Nastavenie 1 → Nastavenie 2 → Nastavenie 3 → Nastavenie 4 → Nastavenie 5 → Nastavenie 6 → Nastavenie 1 →

Režim Fast cool (Rýchleho chladenia):

- Zadajte: Režim rapid cooling (rýchleho chladenia) s cirkulačnou moduláciou.
- Ovládajte: Indikátor rýchleho ochladenia sa rozsvieti a chladnička funguje pri 2 °C.
- Režim Fast cool (Rýchleho chladenia) sa automaticky zruší po 24 hodinách.
- Funkciu Fast cool (Rýchleho chladenia) je možné použiť ako funkciu Super freezing (Super mrazenia).

Nastavenie teploty mraziacej časti

- Teplota mrazu je v polohe „COOLER“ (CHLADNEJŠIE) relatívne nízka, zatiaľ čo teplota mrazu je v polohe „COOL“ (CHLADNÉ) relatívne vysoká, preto sa všeobecne používa poloha „NORMAL“ (NORMÁLNE).
- Počas vysokých okolitých teplôt, napríklad v horúcich letných dňoch, je nutné nastaviť teplotu v rozmedzí od „NORMAL“ (NORMÁLNE) do „COOL“ (CHLADNÉ). Ak je teplota okolia vyššia ako 35°C, bude mať prednosť poloha „COOL“ (CHLADNÉ).
- Počas nízkych okolitých teplôt, napríklad v zime, je nutné nastaviť teplotu v rozmedzí od „NORMAL“ (NORMÁLNE) do „COOLER“ (CHLADNEJŠIE). Ak je teplota okolia nižšia ako 10°C, bude mať prednosť poloha „COOLER“ (CHLADNEJŠIE).



Kód poruchy

- Nasledujúce výstrahy zobrazené na displeji označujú príslušné poruchy chladničky.
- Aj keď chladnička môže mať aj naďalej funkciu chladenia s nasledujúcimi poruchami, používateľ musí kontaktovať údržbára, aby sa zabezpečila optimálna prevádzka chladničky.

Kód Poruchy	Popis Poruchy
LED 1 a LED 2 svietia	Obvod snímača teploty chladničky
LED 1 a LED 3 svietia	Snímač odmrazovania mrazničky
LED 4 a LED 4 svietia	Snímač teploty okolia

Chladiaci priestor

- Chladiaci priestor je vhodný na skladovanie najrôznejších druhov ovocia, zeleniny, nápojov a iných potravín konzumovaných v krátkej dobe, odporúčaná doba skladovania 3 až 5 dní.
- Pripravené jedlo sa nesmie ukladať do chladiacej komory, dokiaľ nebude vychladnuté na izbovú teplotu.
- Pred vložením do chladničky sa odporúča potraviny utesniť.
- Sklenené police je možné nastaviť nahor alebo nadol pre primerané množstvo úložného priestoru a jednoduché použitie.

SK

Mraziaci priestor

- Nízokoteplotný mraziaci priestor môže udržiavať potraviny čerstvé dlho a používa sa hlavne na skladovanie mrazených potravín a výrobu ľadu.
- Mraziaci priestor je vhodný na skladovanie mäsa, rýb, ryžových guľčiek a iných potravín, ktoré sa nemajú krátkodobo konzumovať.
- Kusy mäsa rozdeľte podľa možnosti na malé kúsky, aby dali rýchlo zmraziť a boli ľahko dostupné. Berte prosím na vedomie, že potraviny musia byť spotrebované v dátume ich spotreby.

Č.	Typ priestoru	Cieľová teplota skladovania. [°C]	Vhodné potraviny
1	Chladnička	+2 - +8	Vajcia, varené jedlá, balené potraviny, ovocie a zelenina, mliečne výrobky, koláče, nápoje a iné potraviny, ktoré nie sú vhodné na mrazenie
2	(***)*- Mraznička	≤-18	Morské plody (ryby, krevety, mäkkýše), čerstvé výrobky zo sladkovodných rýb a mäsové výrobky (odporúčaná doba sú 3 mesiace, čím je doba skladovania dlhšia, tým je horšia chuť a nutričné hodnoty), vhodné pre čerstvé zmrazené potraviny.
3	***- Mraznička	≤-18	Morské plody (ryby, krevety, mäkkýše), čerstvé výrobky zo sladkovodných rýb a mäsové výrobky (odporúčaná doba sú 3 mesiace, čím je doba skladovania dlhšia, tým je horšia chuť a nutričné hodnoty), vhodné pre čerstvé zmrazené potraviny.
4	** - Mraznička	≤-12	Morské plody (ryby, krevety, mäkkýše), čerstvé výrobky zo sladkovodných rýb a mäsové výrobky (odporúčaná doba sú 3 mesiace, čím je doba skladovania dlhšia, tým je horšia chuť a nutričné hodnoty), vhodné pre čerstvé zmrazené potraviny.
5	* - Mraznička	≤-6	Morské plody (ryby, krevety, mäkkýše), čerstvé výrobky zo sladkovodných rýb a mäsové výrobky (odporúčaná doba sú 3 mesiace, čím je doba skladovania dlhšia, tým je horšia chuť a nutričné hodnoty), vhodné pre čerstvé zmrazené potraviny.
6	O-hviezda	-6 - 0	Čerstvé bravčové mäso, hovädzie mäso, ryby, kuracie mäso, niektoré balené spracované potraviny atď. (Odporúča sa konzumovať v ten istý deň, pokiaľ možno neskladovať dlhšie ako 3 dni). Čiastočne zabalené spracované potraviny (nezamrzajúce potraviny)
7	Chladienie	-2 - +3	Čerstvé/mrazené bravčové mäso, hovädzie mäso, kuracie mäso, čerstvé výrobky zo sladkovodných rýb, atď. (7 dní pri teplote pod 0 °C a pri teplote nad 0 °C sa odporúča konzumovať v ten istý deň, pokiaľ možno neskladovať dlhšie ako 2 dni). Morské plody (pri teplote pod 0 °C skladovať 15 dní, neodporúča sa skladovať pri teplote nad 0 °C).
8	Čerstvé potraviny	0 - +4	Čerstvé bravčové mäso, hovädzie mäso, ryby, kuracie mäso, varené potraviny, atď. (Odporúča sa konzumovať v ten istý deň, pokiaľ možno neskladovať dlhšie ako 3 dni).
9	Víno	+5 - +20	Červené víno, biele víno, šumivé víno atď.

SK

POZOR

Uchovávať rôzne potraviny podľa priestorov alebo cieľovej teploty skladovania zakúpených výrobkov.

ČISTNIE A ÚDRŽBA

Celkové čistenie

- Prach za chladničkou a na podlahe je potrebné včas odstrániť, aby sa tak zlepšil chladiaci účinok a ušetrila energia.
- Pravidelne kontrolujte tesnenie dvierok, aby ste sa uistili, či na ňom nie sú žiadne zvyšky. Tesnenie dvierok čistíte mäkkou utierkou navlhčenou v mydlovej vode alebo zriedenom čistiacom prostriedku.
- Vnútorný priestor chladničky by mal byť čistený pravidelne, aby ste tak zabránili vzniku zápachu.
- Pred čistením vypnite napájanie spotrebiča, povyberajte všetko jedlo, nápoje, police, zásuvky, atď.
- Na čistenie vnútorného priestoru chladničky použite mäkkú utierku alebo špongiu s roztokom dvoch lyžíc jedlej sódy a litra teplej vody. Potom vnútorný priestor opláchnite vodou a utrite dosucha. Po vyčistení otvorte dvierka a nechajte spotrebič prirodzene vyschnúť skôr, ako zapnete napájanie.
- V oblastiach, ktoré sa ťažko čistia v chladničke (napríklad: úzke panely, medzery alebo rohy), sa odporúča pravidelne ich utierať mäkkou handričkou, mäkkou kefkou atď. a pokiaľ je to nutné použiť i kombináciu s niektorými pomocnými nástrojmi (ako sú tenké tyčinky), aby v týchto oblastiach nedochádzalo k hromadeniu kontaminantov alebo baktérii.
- Nepoužívajte mydlo, saponát, čistiaci prášok, sprejový čistič atď., pretože tieto prostriedky môžu zanechať zápach vo vnútornom priestore chladničky alebo kontaminovať potraviny.
- Rám chladničky, police a zásuvky čistíte mäkkou handričkou navlhčenou mydlovou vodou alebo zriedeným čistiacim prostriedkom. Vysušte pomocou mäkkej tkaniny alebo nechajte vysušiť prirodzene.
- Vonkajší povrch chladničky utrite mäkkou handričkou navlhčenou v mydlovej vode, čistiacom prostriedku atď. a potom utrite dosucha.
- Nepoužívajte tvrdé kedy, čistiace drôtenky, drôtené kedy, abrazívne prostriedky (ako sú zubné pasty), organické rozpúšťadlá (ako je alkohol, acetón, banánový olej, atď.), vriacu vodu, kyslé alebo zásadité prostriedky, ktoré môžu poškodiť povrch ako aj vnútorný priestor chladničky. Vriaca voda a organické rozpúšťadlá ako je napríklad benzén, môžu deformovať alebo poškodiť plastové časti spotrebiča.
- V priebehu čistenia neoplachujte spotrebič priamo vodou ani inými tekutinami, aby ste predišli skratu alebo nenarušili elektrickú izoláciu.

UPOZORNENIE

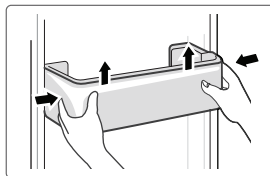
Za účelom odmrázovania a čistenia odpojte chladničku od napájania.

Rozmrázovanie

- Chladnička je vyrobená na princípe chladenia vzduchom a má teda funkciu automatického odmrázovania. Mráz, ktorý sa vytvoril v dôsledku zmeny ročného obdobia alebo teploty, je možné odstrániť aj ručne, odpojením spotrebiča od napájania alebo otrením suchým uterákom.

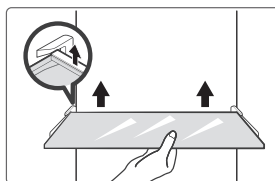
Čistenie priehradky vo dverách chladničky

- Podľa smerovej šípky na obrázku nižšie stlačte priehradku dvoma rukami smerom hore, aby ste ju mohli vybrať.
- Pri vracaní priehradky môžete nastaviť jej inštalačnú výšku podľa vašich požiadaviek.



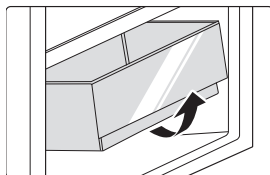
Čistenie sklenenej poličky

- Pretože vnútro chladničky kde je kontakt s poličkami má doraz, zdvihnite police smerom hore a potom ich budete môcť vybrať.
- Upravte alebo vyčistite poličky podľa vašich požiadaviek.



Čistenie zásuvky na zeleninu

1. Odstráňte obsah zásuvky. Uchopte rukoväť zásuvky na zeleninu a vytiahnite ju nadoraz, až kým sa nezastaví.
2. Zásuvku nadvihnite a vytiahnite von.



Pri nepoužívaní

Výpadok dodávky elektrickej energie:

Potraviny je možné v prípade výpadku elektrickej energie skladovať niekoľko hodín dokonca aj v letnom období. Odporúča sa znížiť početnosť otvárania dveriek a nevkladať do chladničky čerstvé potraviny.

Dlhodobé nepoužívanie:

Za účelom čistenia odpojte chladničku, ktorá nebola používaná dlhší čas. Ponechajte dverka otvorené, aby ste zabránili tvorbe nepríjemného zápachu.

Premiestnenie:

Pred premiestnením chladničky vezmite všetky predmety naruby, zafixujte páskou sklenené priečky, držiak na zeleninu, zásuvky mraziacej komory a podobné. Uťahnite vyrovnávacie nožičky, zatvorte dvere a zafixujte ich páskou. Chladničku neotáčajte naopak ani ňou netraste a uhol prenášania nesmie byť väčší ako 45°.

🔴 UPOZORNENIE

Nepretržitá prevádzka je odporúčaná po spustení mrazničky. Za normálnych okolností nezastavujte chladničku, aby to neovplyvnilo životnosť mrazničky.

RIEŠENIE PROBLÉMOV

Nasledujúce jednoduché problémy môže vyriešiť používateľ. Ak sa problémy nevyriešia, zavolajte na oddelenie popredajného servisu.

Problém	Možná príčina
Chladnička nefunguje	• Uistite sa, že je pripojený zdroj energie a zástrčka je pevne pripojená do zásuvky.
	• Skontrolujte, či je napätie v sieti nie nízke.
	• Skontrolujte, či nedošlo k výpadku elektrickej energie.
Vôňa	• Zapáchajúce potraviny by ste mali dôkladne zabaliť.
	• Skontrolujte, či nie sú potraviny pokazené.
	• Skontrolujte, či nie potrebné vyčistiť vnútorný priestor spotrebiča.
Kompresor je v prevádzke dlhodobo	• Je normálne, že chladnička funguje v letnom období dlhšie.
	• keď je okolitá teplota vysoká neodporúča sa mať v spotrebiči súčasne veľmi veľa potravín.
	• Potraviny nechajte pred vložením do spotrebiča vychladnúť.
	• Dvierka chladničky sú otvárané často.
Nerozsvietilo sa osvetlenie	• Skontrolujte, či je chladnička pripojená k elektrickej sieti a či nie je svetlo poškodené.
	• Svetlo nechajte vymeniť odborníkom.
Dvere sa nedajú správne zatvoriť	• Dvere sú zablokované obalmi potravín V zariadení sa nachádza príliš veľa potravín.
	• Chladnička nie je vyrovnaná.
Hlasné zvuky	• Skontrolujte, či je podlaha rovná a či je umiestnenie chladničky stabilné.
	• Skontrolujte, či je príslušenstvo chladničky umiestnené správne.

Problém	Možná příčina
Tesnenie dverí nie je dostatočné	<ul style="list-style-type: none"> • Odstráňte predmety z tesnenia dverí. • Zahrejte tesnenie dverí a potom ho ochladte kvôli obnoveniu (na zahriatie použite elektrickú sušičku alebo horúci uterák).
Zberná nádoba na vodu je preplnená	<ul style="list-style-type: none"> • V priestore je príliš veľa jedla alebo skladované potraviny obsahujú príliš veľa vody, čo vedie k silnému rozmrazovaniu. • Dvere sa nezatvárajú alebo neotvárajú správne, čo má za následok mrazenie v dôsledku vstupu vzduchu a zvýšené množstvo vody v dôsledku rozmrazovania.
Chladnička je príliš horúca	<ul style="list-style-type: none"> • Odvod tepla vstavaného kondenzátora cez kryt, čo je normálne V prípade, kedy sa kryt zohreje v dôsledku vysokej okolitej teploty, skladovania príliš veľkého množstva potravín alebo vypnutie kompresora, zaistite správnu ventiláciu, pre uľahčenie odvodu tepla.
Kondenzácia vlhkosti	<ul style="list-style-type: none"> • Kondenzácia vlhkosti: ku kondenzácii vlhkosti dochádza na vonkajšom povrchu a tesnení dvierok mrazničky vtedy, ak je vysoká okolitá vlhkosť, čo je normálny jav. Túto kondenzáciu môžete utrieť suchou utierkou.
Abnormálny hluk	<ul style="list-style-type: none"> • Bzučanie: Bzučanie je vytvárané činnosťou kompresora a to hlavne pri jeho spúšťaní alebo vypínaní. Toto je normálne. • Škrípanie: Chladiace prostriedky cirkulujúce v chladiacich potrubíach spôsobujú škrípanie, čo je normálne.

DODATOK

Špeciálne pre novú európsku normu

Objednané diely v nasledujúcej tabuľke je možné získať od poskytovateľa služieb

Objednaný diel	Poskytuje	Minimálny čas potrebný na poskytovanie
Termostaty	Profesionálny personál údržby	Minimálne 7 rokov po uvedení posledného modelu na trh
Snímače teploty	Profesionálny personál údržby	Minimálne 7 rokov po uvedení posledného modelu na trh
Dosky plošných spojov	Profesionálny personál údržby	Minimálne 7 rokov po uvedení posledného modelu na trh
Zdroje svetla	Profesionálny personál údržby	Minimálne 7 rokov po uvedení posledného modelu na trh
Rukoväte dverí	Profesionálni opravári a finálni používatelia	Minimálne 7 rokov po uvedení posledného modelu na trh
Dverné závesy	Profesionálni opravári a finálni používatelia	Minimálne 7 rokov po uvedení posledného modelu na trh
Podnosy	Profesionálni opravári a finálni používatelia	Minimálne 7 rokov po uvedení posledného modelu na trh
Košé	Profesionálni opravári a finálni používatelia	Minimálne 7 rokov po uvedení posledného modelu na trh
Tesnenia dverí	Profesionálni opravári a finálni používatelia	Minimálne 10 rokov po uvedení posledného modelu na trh

Vážení zákazníci

1. Ak chcete produkt vrátiť alebo vymeniť, obráťte sa na obchod, v ktorom ste ho kúpili.

(Nezabudnite priniesť nákupnú faktúru)

2. Ak sa váš produkt pokazí a je potrebné ho opraviť, kontaktujte poskytovateľa popredajného servisu.

UPOZORNENIE

Informácie o modeli v databáze výrobkov, ako aj identifikátor modelu je možné získať prostredníctvom webového odkazu naskenovaného pomocou QR kódu, ak je uvedený, na štítku energetickej účinnosti výrobku.

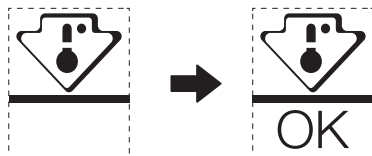
Ďalšie informácie o energetickej účinnosti spotrebiča nájdete na stránke <https://ec.europa.eu> a vyhľadávajte pomocou názvu modelu.

Názov modelu nájdete na typovom štítku spotrebiča.

Najchladnejšia zóna chladničky

VOLITEĽNÉ: Indikátor teploty OK

- Indikátor teploty OK možno použiť na určenie teplôt pod +4°C. Postupne znížte teplotu, ak značka neukazuje „OK“.



- Aby ste zabezpečili teplotu v tejto oblasti, nemeňte umiestnenie police. Chladničky s núteným obehom vzduchu (vybavené ventilátorom alebo modely No Frost), symbol najchladnejšej zóny nie je znázornený, pretože teplota vo vnútri chladničky je homogénna.

Nastavenia indikátora teploty

- Aby ste si chladničku dobre nastavili, je vybavená indikátorom teploty, ktorý bude sledovať priemernú teplotu v najchladnejšej zóne.
- POZOR: Tento indikátor je určený len pre vašu chladničku, nepoužívajte ho v inej chladničke (v skutočnosti najchladnejšia zóna nie je rovnaká) ani na žiadne iné použitie.

Kontrola teploty v najchladnejšej zóne

- Pomocou indikátora teploty môžete pravidelne kontrolovať, či je teplota v najchladnejšej zóne správna. Vnútorňá teplota chladničky závisí od rôznych činiteľov ako napríklad teplota okolia v miestnosti, množstvo uložených potravín a frekvencia otvárania dverí. Zohľadnite tieto faktory pri nastavovaní zariadenia.
- Keď indikátor ukazuje „OK“, znamená to, že váš termostat je dobre nastavený a vnútorňá teplota je správna.
- Ak sa indikátor teploty zmení do BIELA, znamená to, že teplota je príliš vysoká. v takom prípade zvýšte nastavenie ovládania teploty chladničky a počkajte 12 hodín pred vykonaním novej vizuálnej kontroly indikátora. Keď sa vložili čerstvé potraviny alebo keď sa nechajú otvorené dvere na nejaký čas, je normálne, že farba indikátora teploty sa zmení na BIELU.

KÖSZÖNŐLEVÉL

Köszönjük, hogy a Mideát választotta! Mielőtt használná új Midea termékét, kérjük, olvassa el alaposan a használati útmutatót, hogy megismerje a készülék biztonságos működtetését, jellemzőit és funkcióit.

Tartalomjegyzék

KÖSZÖNŐLEVÉL	01
SPECIFIKÁCIÓ	02
A TERMÉK ÁTTEKINTÉSE	03
A TERMÉK TELEPÍTÉSE	04
HASZNÁLATI UTASÍTÁS	11
TISZTÍTÁS ÉS KARBANTARTÁS	15
HIBAELHÁRÍTÁS	17
FÜGGELÉK	19

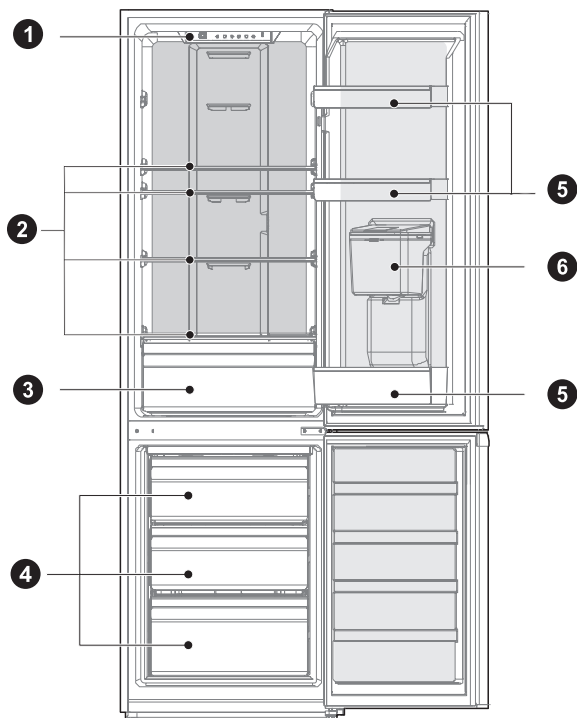
SPECIFIKÁCIÓ

Termékmodell	MDRB380FGE SERIES
Friss élelmiszer tároló rekesz térfogata	199L
Fagyasztott étel tároló rekesz térfogata	71L
Kiolvasztás típusa	Automatikus leolvasztás
Hőmérséklet emelkedési idő	7h
Fagyasztási kapacitás	3,5kg/24h
Névleges feszültség	220-240V-
Névleges áram	0,6A
Teljes méret (M x H x Sz)	1800x545x625mm

HU

A TERMÉK ÁTTEKINTÉSE

Az összetevők neve



- | | | | |
|---|--------------------------------|---|-------------------------|
| 1 | LED világítás | 4 | Fiók |
| 2 | Polc | 5 | Ajtó Tálca |
| 3 | Gyümölcsök és zöldségek doboza | 6 | Vízadagoló (opcionális) |

FIGYELEM

A fenti kép csak tájékoztatásul szolgál. A tényleges konfiguráció függ a fizikai terméktől vagy a forgalmazó ismertetőjétől.

A TERMÉK TELEPÍTÉSE

Telepítési utasítás

Az éghajlati osztályba sorolt hűtőkészülékekhez

- A klímaosztálytól függően a hűtőberendezés az alábbi táblázatban megadott környezeti hőmérséklettartományon belül használható.
- A klímaosztály a típus táblán található. Előfordulhat, hogy a termék nem működik megfelelően a megadott tartományon kívüli hőmérsékleten.
- A klímaosztály a termék címkén található.

Hatékony hőmérsékleti tartomány

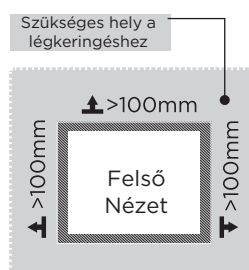
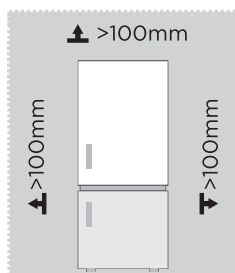
- A terméket úgy tervezték, hogy a besorolási osztály által meghatározott hőmérséklettartományon belül normálisan működjön.

Osztály	Szimbólum	Környezeti hőmérséklet-tartomány °C	
		IEC 62552 (ISO 15502)	ISO 8561
Kiterjesztett mérsékelt öv	SN	+ 10 és + 32 között	+ 10 és + 32 között
Mérsékelt öv	N	+ 16 és + 32 között	+ 16 és + 32 között
Szubtrópusi	ST	+ 16 és + 38 között	+ 18 és + 38 között
Trópusi	T	+ 16 és + 43 között	+ 18 és + 43 között

HU

Méreték és távolságok

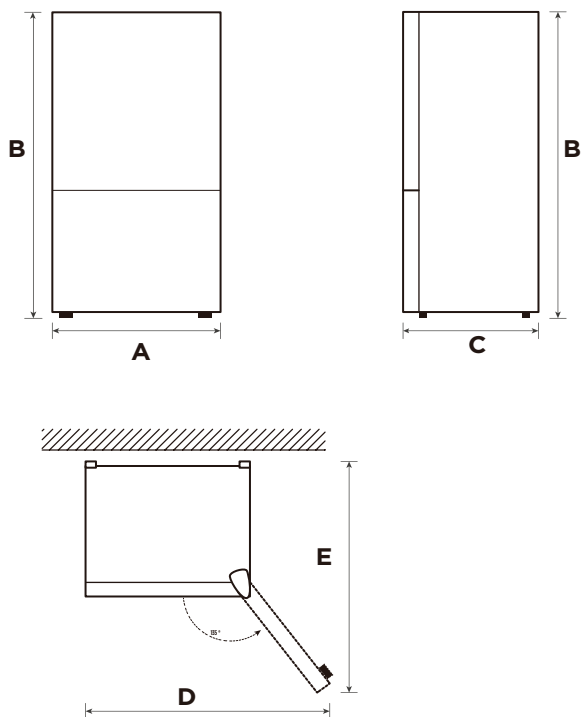
- A szomszédos tárgytól való túl kicsi távolság a fagyasztási képesség romlásához és megnövekedett villamosenergia-költségekhez vezethet. A készülék telepítésekor hagyjon 100 mm-nél nagyobb távolságot minden szomszédos faltól.



FIGYELEM

A fenti kép csak tájékoztatásul szolgál. A tényleges konfiguráció függ a fizikai terméktől vagy a forgalmazó ismertetőjétől.

Helyigény diagram (nyitott és zárt ajtó esetén)



HU

Szélesség	Teljes Magasság	Mélység	Ajtó nyitási szélesség 135°	Ajtó nyitási mélység 135°
A	B	C	D	E
545	1800	625	820	1070

Figyelem: Minden méret mm-ben értendő



Szintező lábak

A vibráció elkerülése érdekében a készüléket vízszintbe kell állítani.

Szükség esetén állítsa be a kiegyenlítő csavarokat az egyenletlen padló kiegyenlítésére.

Az elülsőnek kissé magasabbnak kell lennie, mint a hátsónak, hogy segítse az ajtó becsukódását.

A szintezőcsavarok a szekrény enyhe megdöntésével könnyen elforgathatók.

A szintezőcsavarokat az óramutató járásával  ellentétes irányban elforgatva emelje meg a készüléket, az óramutató járásával  megegyező irányban pedig csökkentse.

A készülék áthelyezése

1. Mielőtt a hűtőszekrényt elmozdítaná, vegye ki az összes tárgyat a belsejéből, húzza ki a hálózati csatlakozót.
2. Rögzítse az üveg válaszfalakat, a zöldségtartót, a fagyasztótér fiókjait stb. ragasztószalaggal, húzza meg a szintező lábakat; csukja be az ajtókat és zárja le ragasztószalaggal.
3. A készüléket kettőnél több emberrel együtt óvatosan mozgatja. Mozgatás közben a készüléket nem szabad fejfelé vagy vízszintesen lefektetni, sem rázni; mozgatás közben legfeljebb 45° dőlésszög megengedett.
4. A készülék beszerelése után csatlakoztassa a hálózati csatlakozót egy konnektorba, hogy bekapcsolja a készüléket.

FIGYELEM

Működés előtti óvintézkedések:

Mozgatás előtt a hűtőszekrényt le kell választani az áramról. Óvintézkedéseket kell tenni a személyi sérülések elkerülése érdekében.

Elhelyezés

- Használat előtt távolítsa el az összes csomagolóanyagot, beleértve az alsó párnákat, a habszivacsokat és a hűtőszekrény belsejében lévő szalagokat; tépje le az ajtókon lévő védőfóliákat.
- Tartsa távol a hőtől és közvetlen napfénytől. A fagyasztót ne tegye nedves vagy vizes helyre, hogy megelőzze a rozsdásodást vagy a szigetelés hatásának csökkenését.
- Ne permetezze vagy mossa le a hűtőszekrényt; ne tegye a hűtőszekrényt nedves, könnyen vízzel érintkező helyre, hogy ne befolyásolja a hűtőszekrény elektromos szigetelési tulajdonságait.
- A hűtőszekrényt jól szellőző, zárt helyen helyezze el; a talajnak síknak és stabilnak kell lennie (instabilitás esetén a kereket balra vagy jobbra forgatva állíthatja be).

Ajtó jobb-bal csere (opcionális)

A hűtőszekrény tervezett használati helye alapján előfordulhat, hogy kényelmesebb az ajtó helyzetének megfordítása.

FIGYELEM

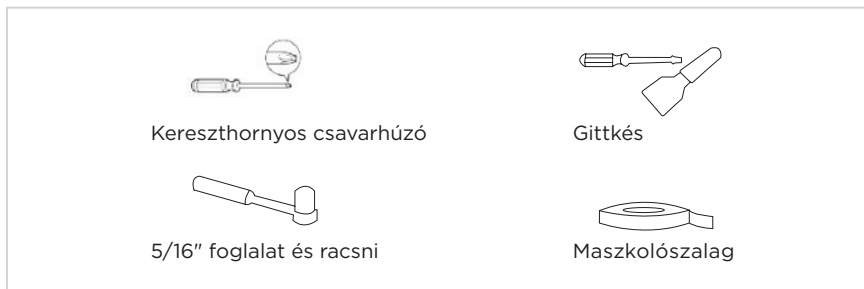
FIGYELEM: Az ön vagy tulajdoni sérülések elkerülése érdekében javasoljuk, hogy vegyen igénybe segítséget az ajtó megfordítása során.

Az ajtó pozíció megfordításának előkészületei

Amire szüksége lesz: csavarhúzó, Phillips csavarhúzó és a mellékelt Allen csavarkulcs.

- Ellenőrizze, hogy a hűtőszekrény ki van húzva a konnektorból és üres.
- Legyen valaki, aki segít Önnek a folyamat során.
- Tartsa meg az összes eltávolított alkatrészt, hogy később újra felhasználhassa őket.

Az ajtócserehez szükséges szerszámok:

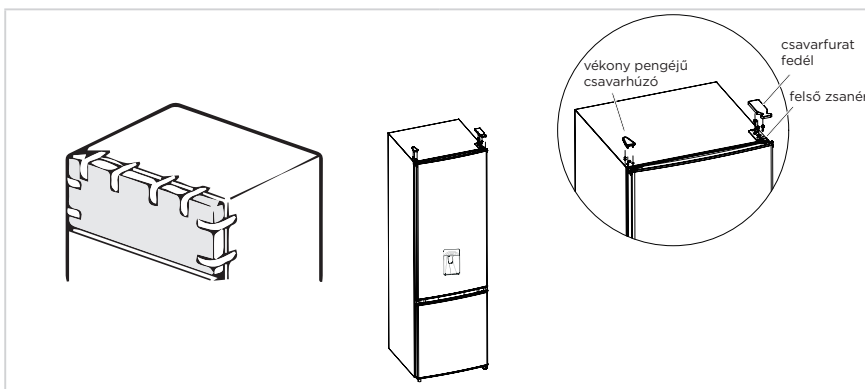


Lépés:

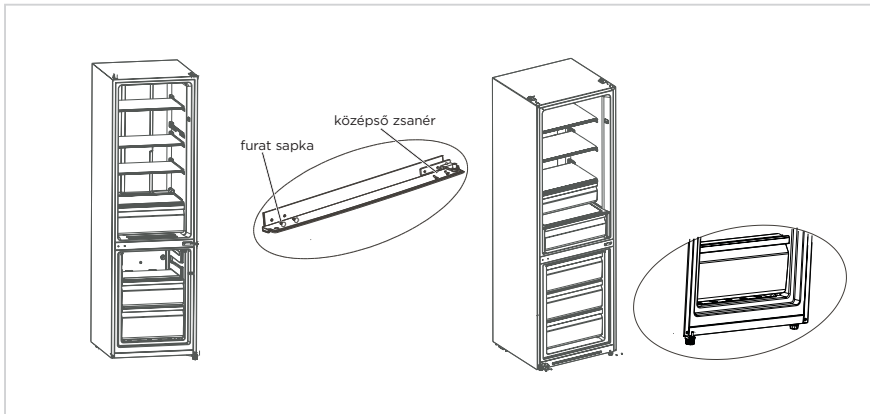
1. Kérjük, a művelet elvégzése előtt kapcsolja ki a készüléket.

Távolítson el minden ételt az ajtó belső tárolóiból. Rögzítse az ajtót ragasztószalaggal.

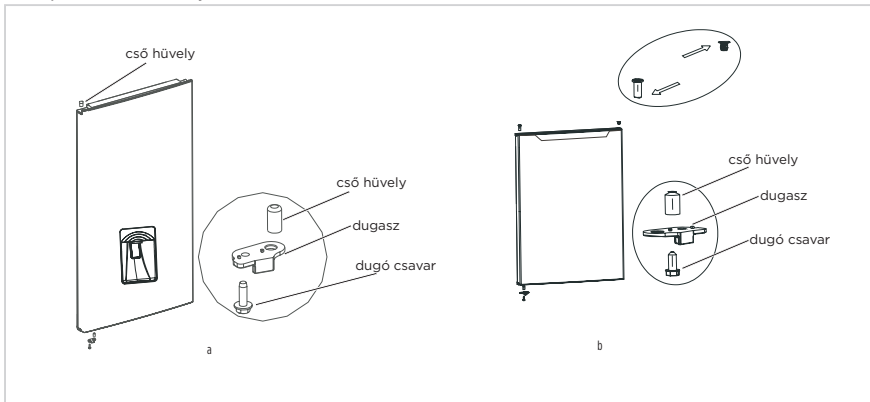
2. Szerelje le a csavarfurat fedelet, a zsanérfedelet és a felső zsanért.



3. Vegye le a hűtőkamra ajtaját, a középső zsanért (a középső zsanércsavar eltávolításához használjon imbuszkulcsot) és a másik oldal csavarfurat sapkát.
4. Vegye le a fagyasztókamra ajtaját, szerelje le az alsó zsanért, a furat sapkákat, a szintező lábat, és szerelje fel az alsó zsanért a másik oldalon.



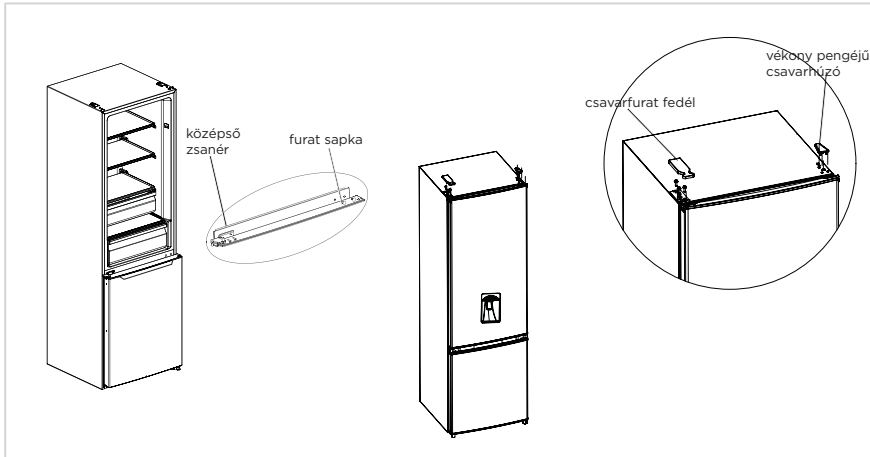
5. a) Szerelje le a hűtőkamra ajtajának dugaszát, cső hüvelyt. szerelje össze a cső hüvelyt és a dugaszt az ajtó bal alsó részén csavar segítségével.
- b) Szerelje le a fagyasztókamra ajtajának jobb oldali ütközőjét és a cső hüvelyt, szerelje össze a cső hüvelyt és az ütközőt az ajtó bal alsó részén csavar segítségével. Vegye le a fagyasztókamra ajtaján lévő cső hüvelyt és a furat sapkákat, és szerelje fel a másik oldalra.



6. Tegye a fagyasztó ajtót az alsó zsanérra, és szerelje fel a középső zsanért, a furat sapkákat.
7. Tegye a hűtőkamra ajtaját a középső zsanérra, és szerelje fel a felső zsanért, a zsanérfedelet.

8. Tegye a hűtőkamra ajtaját a középső zsanérra, és szerelje fel a felső zsanért, a zsanérfedelelet.

A felső zsanérfedél felszerelése előtt a következőket kell ellenőrizni. A csavarokat, amelyek a zsanért tartják, szorosan kell a felülethez rögzíteni, hogy a csavar ne hajoljon el, A zsanér felszerelése után ellenőrizze, hogy elég szorosan rögzített e, nem laza.



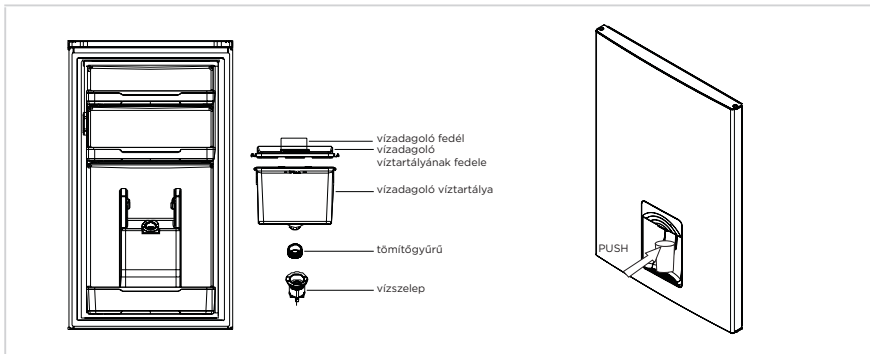
FIGYELEM

A fenti kép csak tájékoztatásul szolgál. A tényleges konfiguráció függ a fizikai terméktől vagy a forgalmazó ismertetőjétől.

HU

A vízadagoló használata (opcionális)

1. Először nyissa ki a vízbevezető fedelet, töltsse fel ivóvízzel a maximális vízmennyiségként megjelölt "MAX" értékig.
2. Egy pohárral nyomja a gombot befelé, hogy vizet engedjen, amikor a gomb visszaengedi az eredeti helyzetbe, a víz megáll.
3. A vízadagoló csak tiszta vízhez használható, nem alkalmas italokhoz vagy gyümölcslevekekhez.



A fény megváltoztatása

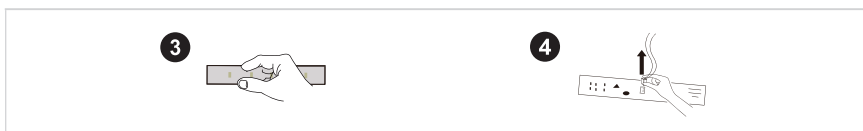
- A LED-lámpák bármilyen cseréjét vagy karbantartását a gyártó, annak szervize vagy hasonló képesítéssel rendelkező személy végezheti. A készülék <F> energiahatékonysági osztályba tartozó fényforrást tartalmaz.

Lépés:

1. Kérjük, eltávolítás előtt húzza ki a dugót.
2. A lámpaburát csavarhúzóval távolítsa el.



3. Vegye le a lámpapanelt.
4. Távolítsa el a csatlakozókapcsot.



A készülék csatlakoztatása

Az első indítás előtt tartsa a hűtőszekrényt két órán keresztül mozdulatlanul, csak ezután csatlakoztassa a tápegységhez.

FIGYELEM

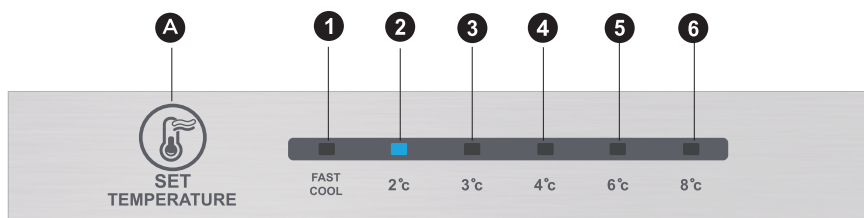
Mielőtt friss vagy fagyasztott élelmiszereket tárolna a készülékben, a hűtőszekrénynek 2-3 órán át, illetve nyáron, amikor a környezeti hőmérséklet magas, 4 óránál hosszabb ideig kell működnie.

Tippek az energiatakarékossághoz

- A készüléket a helyiség leghűvösebb részén kell elhelyezni, távol a hőtermelő készülékektől vagy fűtőcsatornáktól, és a közvetlen napfénytől.
- Hagyja, hogy a forró ételek szobahőmérsékletűre hűljenek, mielőtt a készülékbe helyezi őket. A készülék túlterhelése azt okozhatja, hogy a kompresszor hosszabb ideig működik. Az ételek, amelyek lassan fagynak meg, veszíthetnek minőségükből vagy megromolhatnak.
- Ügyeljen arra, hogy az élelmiszereket megfelelően csomagolja be, és törölje szárazra az edényeket, mielőtt a készülékbe helyezi őket. Ez csökkenti a fagyköképződést a készülék belsejében.
- A készülék tárolóedényét nem szabad alumíniumfóliával, viaszpapírral vagy papírtörülővel kibélelni.
- A bélések akadályozzák a hideg levegő keringését, így a készülék kevésbé hatékony.
- Rendezze és címkézze az élelmiszereket, hogy csökkentse az ajtónyitogatások számát és a hosszabb keresgélések idejét. Mindig egyszerre vegyen ki annyi terméket, amennyire csak szüksége van, és a lehető leghamarabb csukja be az ajtót.

HASZNÁLATI UTASÍTÁS

Vezérlőpanel



FIGYELEM

A fenti kép csak tájékoztatásul szolgál. A tényleges konfiguráció a fizikai terméktől vagy a forgalmazó nyilatkozatától függ.

Kulcs

A Riasztás/kikapcsoló/bekapcsoló gomb

Kijelző képernyő

1	hőmérséklet beállítás1
2	hőmérséklet beállítás2
3	hőmérséklet beállítás3
4	hőmérséklet beállítás4
5	hőmérséklet beállítás5
6	hőmérséklet beállítás6

Megjelenítés

A hűtőszekrény bekapcsolásakor a kijelző képernyő (beleértve a kulcsfényt is) 3 másodpercig teljes fényvel világít, majd a hűtőszekrény a 4 hőmérséklet-beállításnak megfelelően működik.

A normál működés kijelzője

Meghibásodás esetén a megfelelő LED-lámpa mutatja hibakód kombinált jelét (ciklikus kijelző);

Amennyiben nincs meghibásodás, a LED-lámpa a meglévő hőmérséklet-beállítást mutatja.

FIGYELEM

A tényleges kezelőpanel modellenként eltérő lehet.

Használati utasítás

Hőmérséklet beállítás

- A hőmérséklet-beállítás minden alkalommal egyszer módosul, amikor megnyomja a SET (BEÁLLÍTÁS) gombot. Ezután a hűtőszekrény 15 mp elteltével az új beállítási érték szerint fog működni.

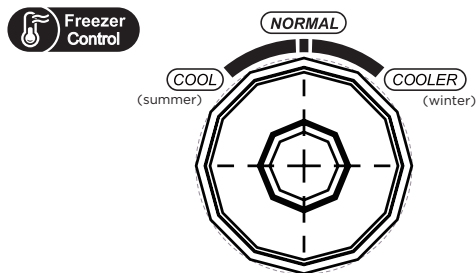
Beállítás 1 → Beállítás 2 → Beállítás 3 → Beállítás 4 → Beállítás 5 → Beállítás 6 → Beállítás 1 →

Fast cool (Gyors hűtés) üzemmód:

- Bevitel: Cirkulációs modulációs rapid cooling (gyors hűtés) üzemmód.
- Működtetés: A gyorshűtés jelzője világít, és a hűtőszekrény 2°C-on működik.
- A Fast cool (gyors hűtés) üzemmód automatikusan kikapcsol 24 órára.
- A Fast cool (gyors hűtés) funkció használható Super freezing (Szuper fagyasztás) funkcióként.

A fagyasztókamra hőmérsékletének szabályozása

- A fagyasztási hőmérséklet viszonylag alacsony a „COOLER (MÉG HŰVÖSEBB)” állásban, míg a fagyasztási hőmérséklet viszonylag magas a „COOL (HŰT)” állásban, ezért általában a „NORMAL (NORMÁLIS)” állás használata javasolt.
- Ha nyáron a környezeti hőmérséklet magas, a hőmérsékletnek a „NORMAL (NORMÁLIS)” és „COOL (HŰT)” közötti tartományban kell lennie. Ha a környezeti hőmérséklet 35 °C felett van, akkor a „COOL (HŰT)” állás az irányadó.
- Ha a környezeti hőmérséklet télen alacsony, a hőmérsékletnek a „NORMAL (NORMÁLIS)” és „COOLER (MÉG HŰVÖSEBB)” közötti tartományban kell lennie. Ha a környezeti hőmérséklet 10°C alatt van, akkor a „COOLER (MÉG HŰVÖSEBB)” állás az irányadó.



Hibakód

- A kijelzőn megjelenő alábbi figyelmeztetések a hűtőszekrény vonatkozó hibáit jelzik.
- Bár a hűtőszekrény a következő hibák esetén is működhet hűtés és fagyasztás céljából, a felhasználónak a karbantartás érdekében fel kell vennie a kapcsolatot egy karbantartó szakemberrel, hogy a hűtőszekrény normál használatát biztosított legyen.

Hiba Kód	Hiba Leírás
A LED 1 és a LED 2 világít	A hűtőszekrény hőmérséklet-érzékelő áramköre
A LED 1 és a LED 3 világít	A fagyasztó leolvasztó érzékelője
A LED 4 és a LED 4 világít	Környezeti hőmérséklet-érzékelő

Hűtőkamra

- A hűtőkamra alkalmas különböző gyümölcsök, zöldségek, italok és egyéb rövid időn belül elfogyasztott élelmiszerek tárolására, javasolt tárolási idő 3 - 5 nap.
- A főzelékeket nem szabad a hűtőkamrába helyezni, amíg szobahőmérsékletre nem hűlnek.
- Az élelmiszereket ajánlott lezárni, mielőtt a hűtőszekrénybe kerülnének.
- Az üvegpohcok felfelé vagy lefelé mozgathatóak a megfelelő mennyiségű tárolóhely és a könnyű használat érdekében.

Fagyasztó kamra

- Az alacsony hőmérsékletű fagyasztó hosszú ideig frissen tarthatja az élelmiszereket, és elsősorban fagyasztott élelmiszerek tárolására és jég készítésére szolgál.
- A fagyasztókamra alkalmas húsok, halak, rizsgolyók és más, rövid időn belül nem fogyasztható élelmiszerek tárolására.
- A húsokat lehetőleg apró darabokban kell tárolni a gyors fagyasztás és a könnyű hozzáférés érdekében. Felhívjuk figyelmét, hogy az élelmiszereket a tárolási időn belül kell elfogyasztani.

Sorozatszám	TÁRGYAK TÍPUS	Cél tárolási hőmérséklet. [°C]	Megfelelő ételkészlet
1	Hűtőszekrény	+2 - +8	Tojás, főtt ételek, csomagolt ételkészletek, gyümölcsök és zöldségek, tejtermékek, sütemények, italok és egyéb ételkészletek nem alkalmasak fagyasztásra.
2	(***)*-Fagyasztó	≤-18	Alkalmas fagyasztott friss ételkészletekhez, továbbá tenger gyümölcsei (halak, garnélarák, kagylók), édesvízi vízi termékek és hústermékek (3 hónapig ajánlott, minél hosszabb a tárolási idő, annál rosszabb az íz és a tápérték) fagyasztására.
3	***-Fagyasztó	≤-18	Alkalmas fagyasztott friss ételkészletekhez, továbbá tenger gyümölcsei (halak, garnélarák, kagylók), édesvízi vízi termékek és hústermékek (3 hónapig ajánlott, minél hosszabb a tárolási idő, annál rosszabb az íz és a tápérték) fagyasztására.
4	** -Fagyasztó	≤-12	Alkalmas fagyasztott friss ételkészletekhez, továbbá tenger gyümölcsei (halak, garnélarák, kagylók), édesvízi vízi termékek és hústermékek (3 hónapig ajánlott, minél hosszabb a tárolási idő, annál rosszabb az íz és a tápérték) fagyasztására.
5	*-Fagyasztó	≤-6	Alkalmas fagyasztott friss ételkészletekhez, továbbá tenger gyümölcsei (halak, garnélarák, kagylók), édesvízi vízi termékek és hústermékek (3 hónapig ajánlott, minél hosszabb a tárolási idő, annál rosszabb az íz és a tápérték) fagyasztására.
6	O-star	-6-0	Friss sertéshús, marhahús, hal, csirke, néhány csomagolt feldolgozott ételkészlet stb. (Ajánlott ugyanazon a napon belül elfogyasztani, lehetőleg 3 napnál nem tovább). Részlegesen enkapszulált feldolgozott ételkészletek (nem fagyasztható ételkészletek).
7	Chill	-2 - +3	Friss/fagyasztott sertéshús, marhahús, csirke, édesvízi vízi termékek, stb. (7 napig 0°C alatt, 0°C felett ajánlott az adott napon belüli fogyasztás, lehetőleg 2 napnál nem tovább). Tenger gyümölcsei (0 alatt 15 napig, 0°C felett nem ajánlott tárolni).
8	Friss ételkészlet	0 - +4	Friss sertéshús, marhahús, hal, csirke, főtt étel stb. (Ajánlott ugyanazon a napon belül elfogyasztani, lehetőleg nem több mint 3 nap).
9	Bor	+5 - +20	Vörösbor, fehérbor, pezsgő stb.

HU

FIGYELEM

kérjük, tárolja a különböző ételkészleteket a megvásárolt rekeszek vagy a tárolási célhőmérséklet szerint.

TISZTÍTÁS ÉS KARBANTARTÁS

Általános tisztítás

- A hűtőszekrény mögött és a talajon lévő port bizonyos időközönként el kell távolítani a hűtési hatás javítása és az energiatakarékosság érdekében.
- Rendszeresen ellenőrizze az ajtó tömítést, hogy ne legyenek rajta morzsalékok. Tisztítsa meg az ajtó tömítést szappanos vízzel vagy mosószeres vízzel megnedvesített puha ruhával.
- A hűtőszekrény belsejét rendszeresen tisztítani kell a szagok kialakulásának elkerülésére.
- Kérjük, a belső tér tisztítása előtt kapcsolja ki a készüléket, távolítsa el az összes ételt, italt, polcot, fiókot stb.
- Puha ruhával vagy szivaccsal tisztítsa meg a hűtőszekrény belsejét, két evőkanál szódabikarbónával és egy liter meleg vízzel. Ezután öblítse ki vízzel és törölje tisztára. A tisztítást követően nyissa ki az ajtót, és hagyja, hogy magától kiszáradjon, mielőtt visszakapcsolná az áramot.
- A hűtőszekrényben nehezen tisztítható területeket (például szűk rések vagy sarkok) ajánlott rendszeresen áttörölni puha ronggyal, puha kefével stb. szükség esetén néhány segédeszközzel (például vékony pálcikával) kombinálva, hogy ezeken a területeken ne halmozódjanak fel szennyeződések vagy baktériumok.
- Ne használjon szappant, mosószert, súrolóport, tisztító spray-t stb., mivel ezek szagokat okozhatnak a hűtőszekrény belsejében vagy beszennyezhetik az élelmiszereket.
- Az üvegkeretet, a polcokat és a fiókokat szappanos vízzel vagy hígított mosószerrel megnedvesített puha ruhával tisztítsa meg. Szárítsa meg puha ruhával vagy hagyja magától megszáradni.
- Törölje át a hűtőszekrény külső felületét szappanos vízzel, mosószerrel stb. benedvesített puha ruhával, majd törölje szárazra.
- Ne használjon kemény keféket, tisztító acélgolyókat, drótkeféket, súrolószereket (pl. fogkrémek), szerves oldószereket (pl. alkohol, aceton, banánolaj stb.), forró vizet, savas vagy lúgos elemeket, amelyek károsíthatják a hűtőszekrény felületét és belsejét. Forrásban lévő víz és szerves oldószerek, például benzol deformálhatják vagy károsíthatják a műanyag alkatrészeket.
- Ne öblítse le közvetlenül vízzel vagy más folyadékkal a tisztítás során, hogy elkerülje a rövidzárlatot és az elektromos szigetelés sérülését.

FIGYELEM

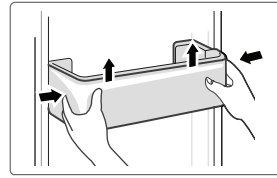
A leolvasztáshoz és tisztításhoz húzza ki a hűtőszekrény hálózati csatlakozóját.

Leolvasztás

- A hűtőszekrény a léghűtés elvén készült, ezért automatikus leolvasztó funkcióval rendelkezik. Az évszak vagy a hőmérséklet változása következtében dér is kialakulhat, ez a készülék áramtalanítását követően kézzel is eltávolítható vagy törölje le száraz törölközővel.

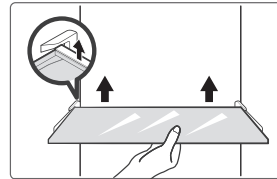
Az ajtótalca tisztítása

- Az alábbi ábrán látható irányjelző nyílnak megfelelően mindkét kezével szorítsa össze a tálcát, és tolja felfelé, majd kivetheti.
- Miután a tálcát eltávolította és kimosta, a beszerelési magasságát az Ön igényeinek megfelelően állíthatja be.



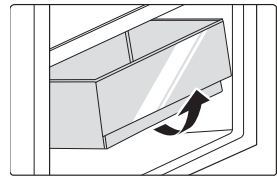
Az üvegpolc tisztítása

- A hűtőszekrény legfelső részén, ahol a polcokkal érintkezik, van egy hátsó ütköző, emelje felfelé a polcokat, majd ki tudja venni.
- Állítsa be vagy tisztítsa meg a polcokat az Ön igényei szerint.



A zöldséges fiók tisztítása

1. Távolítsa el a fiók tartalmát. Fogja meg a zöldséges fiók fogantyúját, és húzza ki teljesen, amíg meg nem áll.
2. Emelje fel a zöldség-hordozót, és húzza ki.



Üzemen kívül

Áramkimaradás:

Áramszünet esetén, még nyáron is, a készülék belsejében lévő élelmiszerek akár több órán át is eltarthatók; az áramszünet ideje alatt az ajtónyitások számát csökkenteni kell, és nem szabad több friss élelmiszert tenni a készülékbe.

Ha hosszú ideig nem használjuk:

A készüléket ki kell húzni a hálózatról, majd meg kell tisztítani; ezt követően hagyja nyitva az ajtókat, hogy elejét vegye a szagok kialakulásának.

Mozgatás:

A hűtőszekrény mozgatása előtt vegye ki az összes tárgyat belülről, rögzítse az üveg részeket, a zöldség-tartót, a fagyasztótér fiókjait stb. szalaggal, és húzza meg a szintező lábakat; zárja be az ajtókat, és rögzítse őket szalaggal. Szállítás közben a készüléket nem szabad a tetejére állítani vagy vízszintesen elfektetni, és nem szabad rázni; a szállítás közbeni dőlésszög legfeljebb 45° lehet.

● FIGYELEM

A készüléknek az indítást követően folyamatosan kell működnie.

Általában a készülék működését nem szabad megszakítani, különben az élettartam csökkenhet.

HIBAEELHÁRÍTÁS

Az alábbi egyszerű problémákat a felhasználó is kezelheti. Kérjük, hívja az értékesítés utáni szervizt, ha a problémák nem oldódnak meg.

Probléma	Lehetséges ok
Sikertelen működés	• Ellenőrizze, hogy a készülék csatlakoztatva van-e a hálózathoz, illetve, hogy a dugó érintkezése megfelelő-e
	• Ellenőrizze, hogy a feszültség nem túl alacsony-e
	• Ellenőrizze, hogy van-e áramkimaradás, vagy részleges áramkörök kioldottak-e
Szag	• A jellegzetes illatú élelmiszereket szorosán be kell csomagolni
	• Ellenőrizze, hogy nincs-e rothadt ételmyszer
	• Tisztítsa meg a hűtőszekrény belsejét
A kompresszor hosszú ideig tartó működése	• A hűtőszekrény hosszú működése nyáron normális
	• amikor a környezeti hőmérséklet magas nem javasolt, hogy egyszerre túl sok ételmyszert tároljon a készülékben.
	• Az élelmiszereknek ki kell hűlniük, mielőtt beteszik őket a készülékbe.
	• Az ajtókat túl gyakran nyitogatják
A világítás nem működik	• Ellenőrizze, hogy a hűtőszekrény csatlakoztatva van-e az áramellátáshoz, és hogy a világító lámpa nem sérült-e meg.
	• Cseréltesse ki a lámpát szakemberrel
Az ajtó nem záródik megfelelően	• Az ajtó elakadt az élelmiszer-csomagok miatt, túl sok ételmyszer van a készülékben
	• A hűtőszekrény meg van dőlve.
Erős hang	• Ellenőrizze, hogy a padló vízszintes-e, és hogy a hűtőszekrény stabilan van-e elhelyezve.
	• Ellenőrizze, hogy a tartozékok a megfelelő helyen vannak-e elhelyezve

Probléma	Lehetséges ok
Az ajtó tömítése nem zár szorosan	<ul style="list-style-type: none"> <li data-bbox="399 191 948 215">• Távolítsa el az ajtótömítésen lévő idegen anyagokat <li data-bbox="399 240 953 313">• Melegítse fel az ajtótömítést, majd a helyreállításhoz hűtse le (vagy fújja ki elektromos szárítóval, vagy használjon meleg törülközőt a melegítéshez).
A vízgyűjtő túlfolyik	<ul style="list-style-type: none"> <li data-bbox="399 341 910 414">• Túl sok élelmiszer van a kamrában, vagy a tárolt élelmiszer túl sok vizet tartalmaz, ami nehézkes leolvasztást eredményez <li data-bbox="399 438 1005 511">• Az ajtók nincsenek megfelelően zárva, ami a levegő bejutása miatt fagyást, a leolvasztás miatt pedig fokozott vízfelhalmozódást eredményez
A ház forró	<ul style="list-style-type: none"> <li data-bbox="399 535 982 654">• A beépített kondenzátor hőelvezetése a burkolaton keresztül normális, ha magas a környezeti hőmérséklet, és a túl sok élelmiszer tárolása vagy a kompresszor leállítása miatt felforrósodik, a hangos szellőzéssel biztosítja a könnyebb hőelvezetést.
Felületi páralecsapódás	<ul style="list-style-type: none"> <li data-bbox="399 685 1005 774">• A hűtőszekrény külső felületén és ajtótömítésein jelentkező kondenzáció normális, ha a környezeti páratartalom túl magas. Csak törölje le a párákat egy száraz törülközővel.
Abnormális zaj	<ul style="list-style-type: none"> <li data-bbox="399 803 950 876">• Zümmögés: A kompresszor működése közben zúgó hangot adhat ki, és a zúgás hangos, különösen elinduláskor és megálláskor. Ez normális. <li data-bbox="399 901 988 950">• Nyikorgás: A készülék belsejében a hűtőközeg áramlása nyikorgást idézhet elő, ami normális.

FÜGGELÉK

Különleges új Európai szabvány

Az alábbi táblázatban szereplő megrendelt alkatrészek a Szolgáltatói csatornán szerezhető be

Rendelt alkatrész	Biztosítva	Ellátáshoz szükséges minimális idő
Termosztátok	Professzionális karbantartó személyzet	Legalább 7 évvel az utolsó kiállított modell után
Hőmérséklet szenzorok	Professzionális karbantartó személyzet	Legalább 7 évvel az utolsó kiállított modell után
Nyomatott áramkörök	Professzionális karbantartó személyzet	Legalább 7 évvel az utolsó kiállított modell után
Fényforrások	Professzionális karbantartó személyzet	Legalább 7 évvel az utolsó kiállított modell után
Ajtókilincsek	Professzionális javítók és végső használók	Legalább 7 évvel az utolsó kiállított modell után
Ajtópántok	Professzionális javítók és végső használók	Legalább 7 évvel az utolsó kiállított modell után
Tálcák	Professzionális javítók és végső használók	Legalább 7 évvel az utolsó kiállított modell után
Kosarak	Professzionális javítók és végső használók	Legalább 7 évvel az utolsó kiállított modell után
Ajtó tömítések	Professzionális javítók és végső használók	Legalább 10 évvel az utolsó kiállított modell után

Kedves Vásárló

1. Ha szeretné visszaküldeni vagy kicserélni a terméket, kérjük, lépjen kapcsolatba az áruházal, ahol vásárolta.

(Ne felejtse el magával vinni a számlát)

2. Ha a termék meghibásodik és javításra szorul, vegye fel a kapcsolatot a szervizzel.

FIGYELEM

A termékadatbázisban szereplő modellinformáció, valamint a modellazonosító egy weblink segítségével érhető el, amelyet a termék energiahatékonysági címkéjén található QR-kód segítségével lehet beolvasni, ha van ilyen.

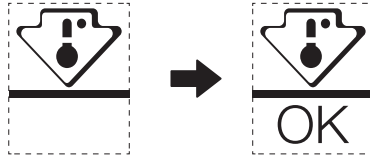
A készülék energiahatékonyságával kapcsolatos további információkért látogasson el a <https://ec.europa.eu> weboldalra, és keressen rá a modell nevére.

A modell neve a készülék címkéjén található.

A hűtőszekrény leghidegebb zónája

OPCIONÁLIS: OK-hőmérsékletjelző

- Az OK-hőmérsékletjelző +4°C alatti hőmérséklet meghatározására használható. Fokozatosan csökkentse a hőmérsékletet, ha nincs az „OK” jelzés.



- A hőmérséklet biztosítása érdekében ne változtassa meg a polc elhelyezését. Kényszerlevegős hűtőszekrények (ventilátorral felszerelt vagy No Frost modellek), a leghidegebb zóna szimbóluma nem jelenik meg, mivel a belső hőmérséklet homogén.

Hőmérsékletjelző beállítása

- A hűtőszekrény jó beállításának elősegítése érdekében a hűtőszekrényt hőmérsékletjelzővel látták el, amely a leghidegebb zóna átlaghőmérsékletét figyeli.
- FIGYELMEZTETÉS: Ez a hőmérsékletjelző csak az Ön hűtőszekrényéhez alkalmas, ne használja más hűtőszekrényben (a leghidegebb zóna nem azonos), vagy bármilyen más célra.

A hőmérséklet ellenőrzése a leghidegebb zónában

- A hőmérsékletjelzővel rendszeresen ellenőrizheti, hogy a leghidegebb zóna hőmérséklete megfelelő-e. A hűtőszekrény belső hőmérséklete több tényezőtől függ, például a helyiség környezeti hőmérsékletétől, a tárolt élelmiszerek mennyiségétől és az ajtónyitás gyakoriságától. Vegye figyelembe ezeket a tényezőket a készülék beállításakor.
- Ha a kijelző „OK” jelzést mutat, a termosztát jól van beállítva és a belső hőmérséklet megfelelő.
- Ha a hőmérsékletjelző fehérre vált, a hőmérséklet túl magas; ebben az esetben növelje a hűtőszekrény hőmérséklet-szabályozási beállítását, és várjon 12 órát, mielőtt a újra ellenőrizné a kijelzőt. Ha friss élelmiszer került a készülékbe, vagy az ajtó nyitva maradt, előfordulhat, hogy a hőmérsékletjelző egy idő után FEHÉRRE vált.

PATEICĪBAS VĒSTULE

Paldies, ka izvēlējāties Midea! Pirms jaunā Midea izstrādājuma lietošanas izlasiet šo rokasgrāmatu pilnībā, lai pārliecinātos, ka saprotat, kā droši izmantot jaunās ierīces īpašības un funkcijas.

SATURS

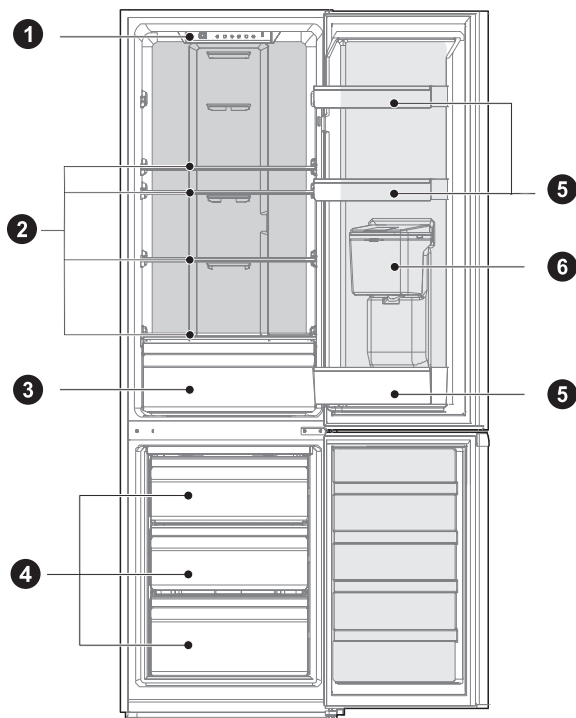
PATEICĪBAS VĒSTULE	01
SPECIFIKĀCIJAS	02
PRODUKTA PĀRSKATS	03
PRODUKTA UZSTĀDĪŠANA	04
EKSPLUATĀCIJAS INSTRUKCIJAS	11
TĪRĪŠANA UN APKOPE	15
PROBLĒMU NOVĒRŠANA	17
PIELIKUMS	19

SPECIFIKĀCIJAS

Produkta modelis	MDRB380FGE SERIES
Svaigu Ēdienu Uzglabāšanas Nodalījuma Tilpums	199L
Saldētu Ēdienu Uzglabāšanas Nodalījuma Tilpums	71L
Atkausēšanas Veids	Automātiskā atkausēšana
Temperatūras Paaugstināšanās Laiks	7h
Saldēšanas Jauda	3,5kg/24h
Nominālais Spriegums	220-240V-
Nominālā Strāva	0,6A
Kopējais Izmērs (A x P x Dz)	1800x545x625mm

PRODUKTA PĀRSKATS

Sastāvdaļu nosaukumi



- | | |
|--------------------------|--------------------------------|
| 1 LED gaisma | 4 Atvilktne |
| 2 Plaukts | 5 Durvju Paliktnis |
| 3 Augļu un dārzeņu kaste | 6 Ūdens dozators (pēc izvēles) |

UZMANĪBU

Augstāk redzamais attēls ir domāts tikai atsaucei. Faktiskā konfigurācija būs atkarīga no fiziskā produkta vai izplatītāja paziņojuma.

PRODUKTA UZSTĀDĪŠANA

Uzstādīšanas Instrukcija

Aukstuma iekārtas ar klimata klasi

- Šo aukstumiekārtu ir paredzēts izmantot šajā tabulā norādītajā apkārtējās vides temperatūras diapazonā atkarībā no klimata klases.
- Klimata klase ir norādīta uz nomināļplāksnītes. Produkts var nedarboties pareizi, ja temperatūra ir ārpus noteiktā diapazona.
- Klimata klasi var atrast uz produkta etiķetes.

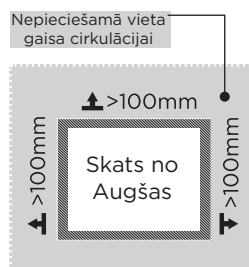
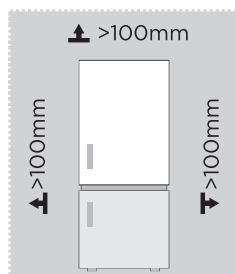
Efektīvs temperatūras diapazons

- Izstrādājums ir paredzēts normālai darbībai temperatūras diapazonā, kas norādīts tā klasē.

Klase	Simbols	Apkārtējās temperatūras diapazons °C	
		IEC 62552 (ISO 15502)	ISO 8561
Paplašinātā mērenā	SN	+ 10 līdz + 32	+ 10 līdz + 32
Mērenā	N	+ 16 līdz + 32	+ 16 līdz + 32
Subtropu	ST	+ 16 līdz + 38	+ 18 līdz + 38
Tropu	T	+ 16 līdz + 43	+ 18 līdz + 43

Izmēri un Atstarpes

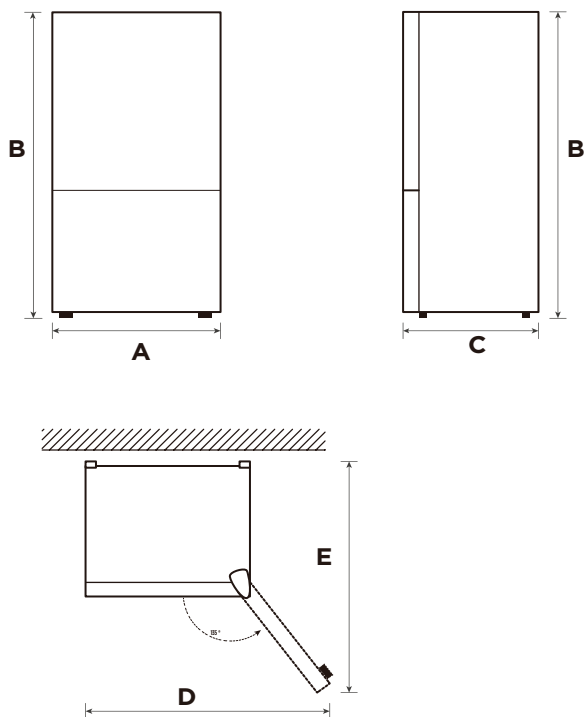
- Ja attālums starp blakus esošajiem priekšmetiem ir pārāk mazs, var samazināties saldēšanas jauda un palielināties elektroenerģijas izmaksas. Uzstādot ierīci, atstājiet vairāk nekā 100 mm brīvu attālumu no katras blakus esošās sienas.



UZMANĪBU

Augstāk redzamais attēls ir domāts tikai atsaucei. Faktiskā konfigurācija būs atkarīga no fiziskā produkta vai izplatītāja paziņojuma.

Vajadzīgo atstarpju diagramma (kad durvis ir atvērtas un kad durvis ir aizvērtas)



LV

Platums	Kopējais Augstums	Dziļums	Durvju platums atveras 135° leņķī	Dziļuma durvis atveras 135° leņķī
A	B	C	D	E
545	1800	625	820	1070

Paziņojums: Visi izmēri norādīti mm

Izlīdzināšanas kājiņas

Lai izvairītos no vibrācijas, ierīce ir jāizlīdzina.

Ja nepieciešams, noregulējiet līmeņošanas skrūves, lai kompensētu grīdas nelīdzeno virsmu.

Priekšpusei jābūt nedaudz augstāk nekā aizmugurei, lai atvieglotu durvju aizvēršanos.

Līmeņošanas skrūves var viegli pagriezt, nedaudz noliecot korpusu.

Lai paceltu ierīci, pagrieziet līmeņošanas skrūves pretēji pulksteņrādītāja virzienam, un lai nolaistu – pulksteņrādītāja kustības virzienā.

Ierīces pārvietošana

1. Pirms ledusskapja pārvietošanas izņemiet visus priekšmetus no iekšpuses, izvelciet strāvas kontaktdakšu.
2. Aizveriet durvis un aizlīmējiet tās ar lentu. Stikla starpsienas, dārzeņu turētājus, saldēšanas kameras atvilktnes un citus priekšmetus nostipriniet ar lentu. Pievelciet izlīdzinošās kājas.
3. Pārvietojiet ierīci uzmanīgi, tas jādara vairāk nekā diviem cilvēkiem. Ierīci nedrīkst pārāk bieži pārvietot otrādi, horizontāli vai vibrēt; slīpums nedrīkst pārsniegt 45 grādus.
4. Pēc ierīces uzstādīšanas ievietojiet kontaktdakšu kontaktligzdā, lai ieslēgtu ierīci.

UZMANĪBU

Piesardzības pasākumi pirms darbības:

Pirms jebkādu izmaiņu veikšanas ledusskapis ir jāizslēdz. Veicot piesardzības pasākumus, jāizvairās no jebkādiem miesas bojājumiem.

Izvietošana

- Pirms ledusskapja lietošanas noņemiet no tā visas lentes, putuplasta spilventiņus un apakšējos spilvenus. Noņemiet arī aizsargplēvi no ledusskapja korpusa un durvīm.
- Sargāt no karstuma un izvairīties no tiešiem saules stariem. Nenovietojiet ledusskapi mitrā vai udeņainā vietā, lai novērstu rūsēšanu vai izolācijas efekta mazināšanos.
- Ledusskapja elektriskās izolācijas īpašībām nevajadzētu kaitēt, apsmidzinot, mazgājot vai novietojot ierīci mitrās vietās, kur viegli šļakstās ūdens.
- Zemei jābūt līdzenai un izturīgai, un ledusskapis jānovieto uz tās. Ja zeme ir nestabila, pagrieziet riteni pa labi vai pa kreisi, lai to izlīdzinātu.

Durvju labās un kreisās puses maiņa (pēc izvēles)

Atkarībā no tā, kur plānojat izmantot ledusskapi, iespējams, ērtāk būs durvis novietot pretējā stāvoklī.

PIESARDZĪBA

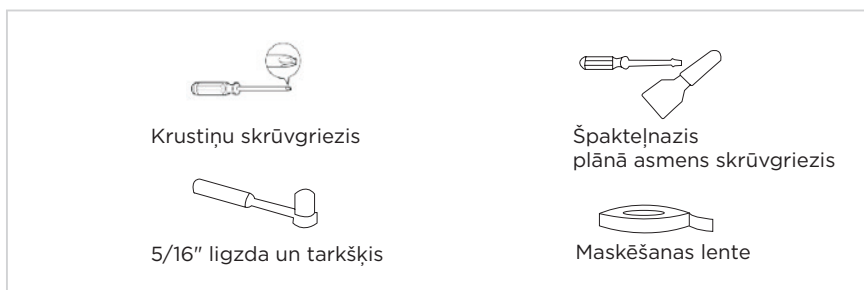
UZMANĪBU: Mēs iesakām lūgt, lai kāds jums palīdz apgriezt durvis atpakaļgaitā, lai novērstu īpašuma bojājumus vai miesas bojājumus.

Sagatavošanās durvju stāvokļa maiņai

Jums būs nepieciešams: Standarta skrūvgriezis, Phillips skrūvgriezis un komplektā iekļautā sešstūra atslēga.

- pārliecinieties, ka ledusskapis ir atvienots no tīkla un tukšs.
- Jums ir pieejams kāds, kas jums palīdzēs šajā procesā.
- Saglabājiet visas noņemtās detaļas, lai vēlāk tās izmantotu atkārtoti.

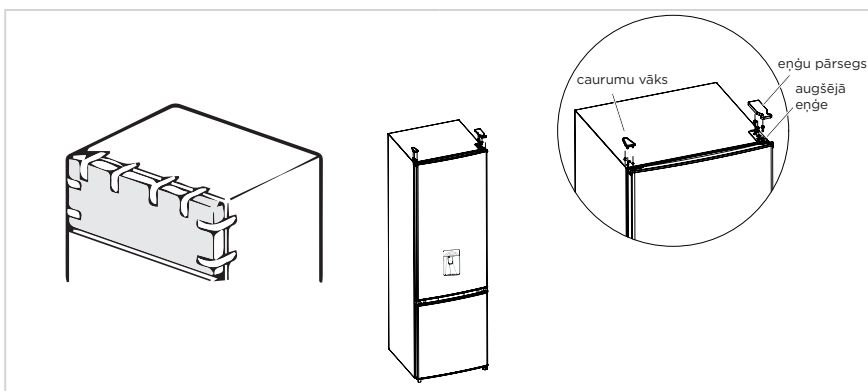
Durvju nomainībai nepieciešamie darbarīki:



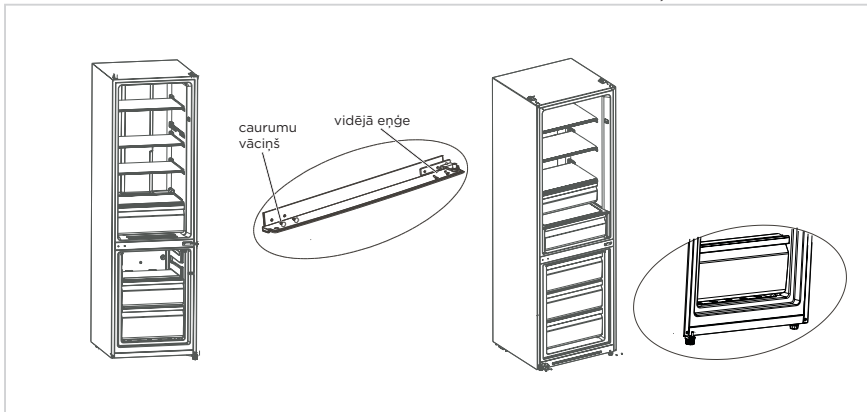
LV

Solis

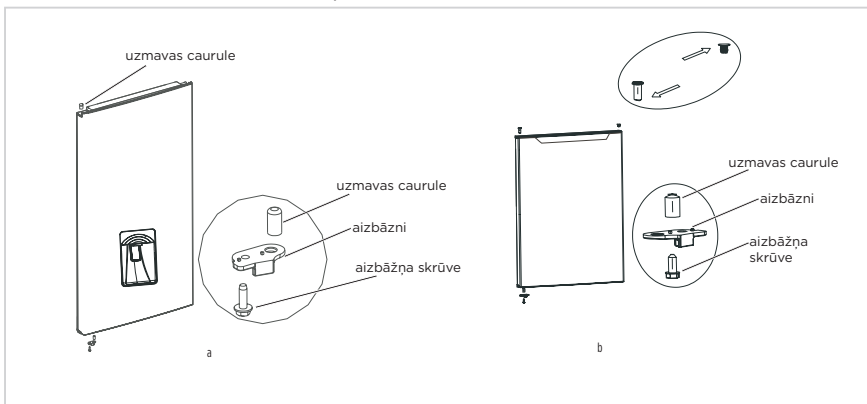
1. Pirms šīs darbības veikšanas lūdzu, izslēdziet šo ierīci.
Noņemiet visus pārtikas produktus no durvju iekšējās odeses. Aizlīmējiet durvis ar lentu.
2. Demontējiet atveres vāku, eņģes vāku un augšējo eņģi.



3. Noņemiet saldēšanas kameras durvis, vidējo eņģi (lai izņemtu vidējā eņģa skrūvi, jums būs nepieciešama atslēga) un otras puses atveres vāciņu.
4. Noņemiet saldēšanas kameras durvis, vidējo eņģi (lai izņemtu vidējā eņģa skrūvi, jums būs nepieciešama atslēga) un otras puses atveres vāciņu.



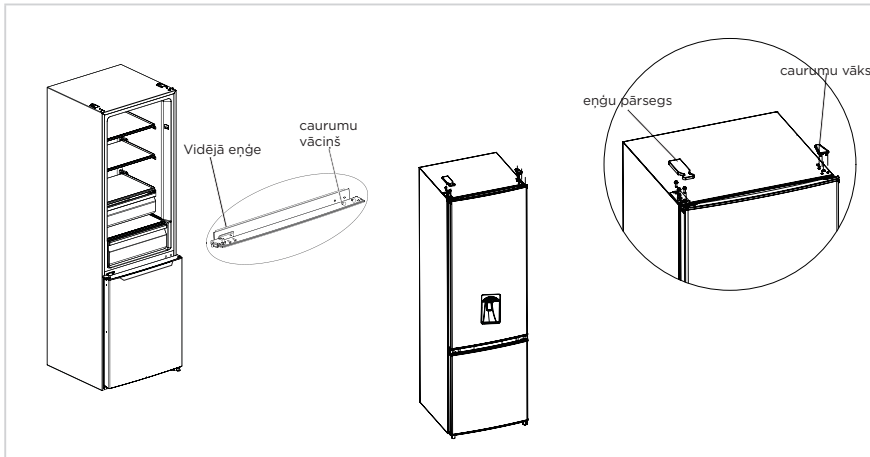
5. a) Noņemiet durvju aizbāzni un uzmavas cauruli no saldēšanas kameras. Pieskrūvējiet aizbāzni un uzmavas cauruli durvju apakšējā kreisajā pusē.
- b) Noņemiet aizbāzni un uzmavas cauruli no saldēšanas kameras durvju labās puses, pēc tam ieskrūvējiet aizbāzni un uzmavas cauruli durvju apakšējā kreisajā pusē. Noņemiet uzmavas caurules un atveru vāciņus uz saldēšanas kameras durvīm un uzstādiat tos otrā pusē.



6. Uzlieciet saldēšanas durvis uz apakšējās eņģes un uzstādiat vidējo eņģi, caurumu vāciņus.
7. Uzlieciet saldēšanas kameras durvis uz vidējās eņģes un uzstādiat augšējo eņģi, eņģes vāku.

- Uzlieciet saldēšanas kameras durvis uz vidējās eņģes un uzstādiet augšējo eņģi, eņģes vāku.

Pirms augšējā eņģu vāka uzstādīšanas ir jāapstiprina turpmāk norādītais. Lai novērstu skrūves deformāciju, viras stiprinājuma skrūvēm jābūt stingri piespiestām pie viras virsmas. Pārbaudiet, vai pēc viras uzstādīšanas nav vērojama kratīšanās.



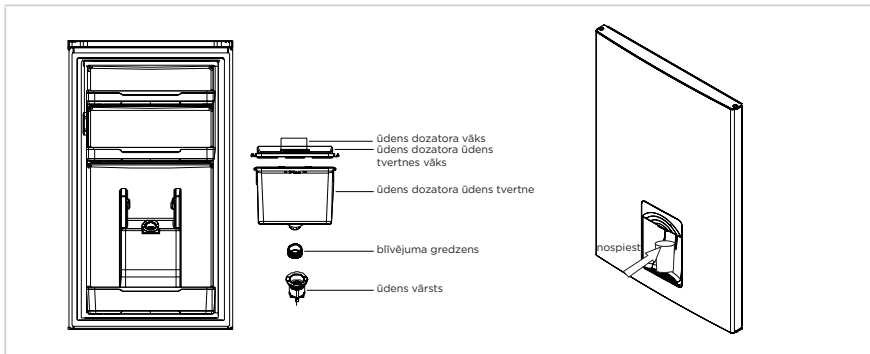
UZMANĪBU

Augstāk redzamais attēls ir domāts tikai atsaucei. Faktiskā konfigurācija būs atkarīga no fiziskā produkta vai izplatītāja paziņojuma.

LV

Ūdens dozatora izmantošana (pēc izvēles)

- Vispirms atveriet ūdens ieplūdes atveres vāku, piepildiet ar dzeramo ūdeni līdz maksimālajam ūdens daudzumam, kas norādīts kā "MAX".
- Nospiežot sprūda slēdzi krūzes iekšpusē, ūdens sāks tecēt. Kad sprūda taustiņš tiek nospiests atpakaļ sākotnējā stāvoklī, ūdens apstājas.
- Ūdens dozatoru var izmantot tikai tīram ūdenim, tas nav piemērots dzērieniem vai augļu sulām.

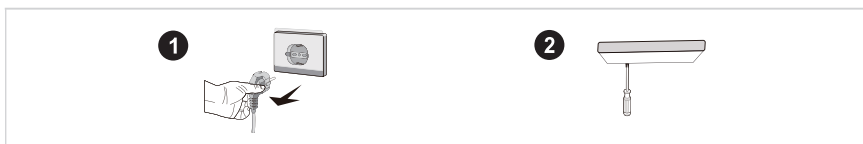


Spuldzītes nomaiņa

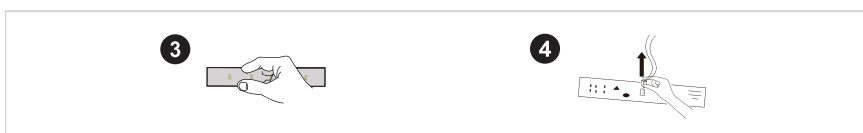
- LED spuldžu nomaiņu vai apkopi jāveic ražotājam, tā servisa aģentam vai citai līdzīgi kvalificētai personai. Šis izstrādājums satur <F> energoefektivitātes klases gaismas avotu.

Solis

1. Pirms izņemšanas, lūdzu, izņemiet kontaktdakšu.
2. Ar skrūvgriezi noņemiet abazūru.



3. Noņemiet lampas paneli.
4. Novienojiet savienojuma termināli.



Ierīces pievienošana

Pirms pirmās palaišanas ledusskapī divas stundas turiet nekustīgu, pirms to pieslēdzat pie strāvas padeves.

UZMANĪBU

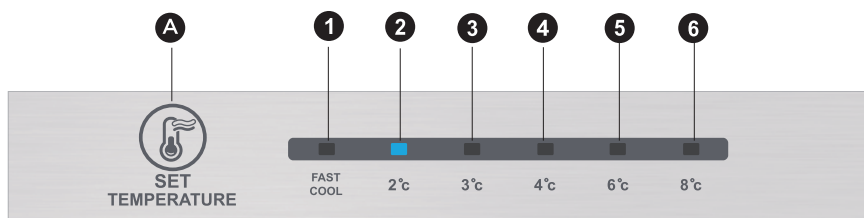
Pirms jebkādu svaigu vai saldētu pārtikas produktu ievietošanas ledusskapī ir jābūt nostrādājušam 2 līdz 3 stundas vai līdz 4 stundām vasarā, kad apkārtējā temperatūra ir augsta.

Energotaupības padomi

- Ierīce jānovieto vēsākajā telpas daļā, ārpus tiešiem saules stariem un tālu no jebkādām siltumu radošām iekārtām vai apkures kanāliem.
- -Pirms ievietošanas ierīcē ļaujiet karstiem ēdieniem atdzist līdz istabas temperatūrai. Ierīces pārslodze liek kompresoram darboties ilgāk. Ēdieni, kas sasilst pārāk lēnu, var zaudēt savu kvalitāti vai sabojāties.
- Pirms trauku ievietošanas ierīcē pārliecinieties, ka tie ir sausā veidā noslaucīti un ka ēdiens ir pienācīgi iesaiņots. Tas samazina sala uzkrāšanos ierīces iekšpusē.
- Ierīču glabāšanas tvertni nedrīkst izklāt ar alumīnija foliju, vaska papīru vai papīra dvieli. Ieliktni traucē aukstā gaisa cirkulāciju, padarot ierīci mazāk efektīvu.
- organizējiet un marķējiet pārtikas produktus, lai samazinātu durvju atvēršanu un ilgāku meklēšanu. Vienā reizē izņemiet tik daudz produktu, cik nepieciešams, un pēc iespējas ātrāk aizveriet ledusskapja durvis.

EKSPLUATĀCIJAS INSTRUKCIJAS

Vadības panelis



UZMANĪBU

Augstāk redzamais attēls ir domāts tikai atsaucei. Faktiskā konfigurācija būs atkarīga no fiziskā produkta vai izplatītāja paziņojuma.

Galvenais

A Trauksmes/izslēgšanas/ieslēgšanas poga

Displeja ekrāns

- | | |
|---|---------------------------|
| 1 | temperatūras iestatījums1 |
| 2 | temperatūras iestatījums2 |
| 3 | temperatūras iestatījums3 |
| 4 | temperatūras iestatījums4 |
| 5 | temperatūras iestatījums5 |
| 6 | temperatūras iestatījums6 |

Displejs

Kad ledusskapis ir ieslēgts, displeja ekrāns (ieskaitot taustiņa apgaismojumu) trīs sekundes spilgti spīd, pirms ierīce sāk darboties ar 4 temperatūras iestatījumu.

Parastas darbības displejs

Ja rodas kļūme, atbilstošā LED lampiņa parādīs kombinēto kļūmes kodu (otrrreizējās pārstrādes displejā);

Ja nav kļūmes, LED indikators rādīs esošo temperatūras iestatījumu.

UZMANĪBU

Faktiskais vadības panelis var atšķirties atkarībā no modeļa.

Lietošanas instrukcija

Pārnesumu pārslēgšanas iestatīšana

- Temperatūras iestatījums tiks mainīts katru reizi, kad nospiedīsiet taustiņu SET (IESTATĪJUMS). Pēc 15 s ledusskapis darbosies saskaņā ar jauno iestatījuma vērtību.

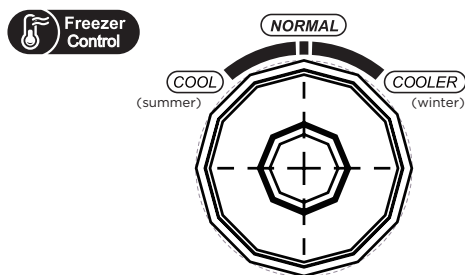
Iestatījums 1 → Iestatījums 2 → Iestatījums 3 → Iestatījums 4 → Iestatījums 5 → Iestatījums 6 → Iestatījums 1 →

Fast cool (Ātrs dzesēšanas) režīms:

- Ievadiet: Cirkulācijas modulācijas rapid cooling (ātrās dzesēšanas) režīms.
- Darbojas: Aizdegas ātrās dzesēšanas indikators, un ledusskapis darbojas 2°C temperatūrā.
- Fast cool (Ātrs dzesēšanas) režīms automātiski atslēdzas uz 24 stundām.
- Fast cool (Ātrs dzesēšanas) funkciju var izmantot kā Super freezing (Super sasaldēšanas) funkciju.

Saldēšanas kameras temperatūras kontrole

- "NORMAL (NORMĀLI)" pozīciju parasti izmanto tāpēc, ka "COOLER (VĒSĀK)" pozīcijā sasaldēšanas temperatūra ir relatīvi zema, bet "COOL (FORŠI)" pozīcijā - relatīvi augsta.
- Temperatūrai jābūt starp "NORMAL (NORMĀLI)" un "COOL (FORŠI)", ja vasarā āra temperatūra ir augsta. Ja apkārtējās vides temperatūra ir augstāka par 35°C, noteicošais ir "COOL (FORŠI)" stāvoklis.
- Ziemas laikā zema apkārtējās vides temperatūrai jābūt starp "NORMAL (NORMĀLI)" un "COOLER (VĒSĀK)". Ja apkārtējās vides temperatūra ir zemāka par 10°C, noteicošā ir pozīcija "COOLER (VĒSĀK)".



Kļūdas kods

- Šādi displejā parādījušies brīdinājumi norāda uz attiecīgiem ledusskapja defektiem.
- Lai nodrošinātu normālu ledusskapja lietošanu, lietotājam jāsaazinās ar tehniskās apkopes speciālistu, lai veiktu apkopi, pat ja ledusskapis joprojām spēj atdzēsēt un sasaldēt ar turpmāk minētajiem defektiem.

Kļūdu kods	Kļūdas apraksts
LED 1 un LED 2 iedegas	Ledusskapja temperatūras sensora ķēde
LED 1 un LED 3 iedegas	Saldētavas atkausēšanas sensors
LED 4 un LED 4 iedegas	Apkārtējās temperatūras sensors

Aukstuma kamera

- Dažādus augļus, dārzeņus, dzērienus un citus ātri patērējamus pārtikas produktus var uzglabāt ledusskapī trīs līdz piecas dienas.
- Gatavojamo pārtiku nedrīkst ievietot saldēšanas kamerā, kamēr tā nav atdzisusi līdz istabas temperatūrai.
- Pirms ievietošanas ledusskapī pārtikas produktus ieteicams aizzīmogot.
- stikla plauktus var regulēt uz augšu vai uz leju, lai nodrošinātu pietiekamu uzglabāšanas vietu un ērtu lietošanu.

Saldēšanas kamera

- Zemas temperatūras saldēšanas kameru galvenokārt izmanto saldētu pārtikas produktu uzglabāšanai un ledus veidošanai, jo tā spēj saglabāt pārtikas produktus svaigus ilgāku laiku.
- Saldēšanas kamerā var uzglabāt gaļu, zivis, rīsu bumbiņas un citus pārtikas produktus, kas netiks uzreiz apēsti.
- Gaļas gabalus vēlams sadalīt nelielos gabaliņos, lai ātri sasaldētu un būtu viegli pieejami. Lūdzu, ņemiet vērā, ka pārtika jāizlieto līdz derīguma termiņa beigām.

Secība	Nodalījumu TIPS	Mērķa uzglabāšanas temp. [°C]	Atbilstoša pārtika
1	Ledusskapis	+2 - +8	Saldēšanai nav piemērotas olas, pagatavots ēdiens, fasēti pārtikas produkti, augļi un dārzeņi, piena produkti, kūkas, dzērieni un citi pārtikas produkti.
2	(***)*-Saldētava	≤-18	Jūras veltes (zivis, garneles un gliemji), saldūdens ūdens produkti un gaļas produkti ir piemēroti saldētai svaigai pārtikai, un tie jāuzglabā ne ilgāk kā trīs mēnešus. Jo ilgāk tie tiek uzglabāti, jo sliktāka būs pārtikas produktu garša un uzturvērtība.
3	*** -Saldētava	≤-18	Jūras veltes (zivis, garneles un gliemji), saldūdens ūdens produkti un gaļas produkti ir piemēroti saldētai svaigai pārtikai, un tie jāuzglabā ne ilgāk kā trīs mēnešus. Jo ilgāk tie tiek uzglabāti, jo sliktāka būs pārtikas produktu garša un uzturvērtība.
4	** -Saldētava	≤-12	Jūras veltes (zivis, garneles un gliemji), saldūdens ūdens produkti un gaļas produkti ir piemēroti saldētai svaigai pārtikai, un tie jāuzglabā ne ilgāk kā trīs mēnešus. Jo ilgāk tie tiek uzglabāti, jo sliktāka būs pārtikas produktu garša un uzturvērtība.
5	* -Saldētava	≤-6	Jūras veltes (zivis, garneles un gliemji), saldūdens ūdens produkti un gaļas produkti ir piemēroti saldētai svaigai pārtikai, un tie jāuzglabā ne ilgāk kā trīs mēnešus. Jo ilgāk tie tiek uzglabāti, jo sliktāka būs pārtikas produktu garša un uzturvērtība.
6	O-star	-6-0	Svaiga cūkgaļa, liellopu gaļa, zivis, vistas gaļa, daži fasēti pārstrādāti pārtikas produkti u. c. (ieteicams apēst tajā pašā dienā, vēlams ne ilgāk kā 3 dienas). Daļēji iekapsulēta pārstrādāta pārtika (nesaldējama pārtika).
7	Atdzesēšana	-2 - +3	Svaiga/saldēta cūkgaļa, liellopu gaļa, vistas gaļa, saldūdens produkti u.c. (7 dienas zem 0°C un virs 0°C ieteicams apēst tās pašas dienas laikā, vēlams ne ilgāk kā 2 dienu laikā). Jūras veltes (mazāk nekā 0°C 15 dienas, nav ieteicams uzglabāt virs 0°C).
8	Svaigā pārtika	0 - +4	Svaiga cūkgaļa, liellopu gaļa, zivis, vistas gaļa, pagatavoti ēdieni u. c. (ieteicams apēst tajā pašā dienā, vēlams ne ilgāk kā 3 dienās).
9	Vīns	+5 - +20	Sarkanvīns, baltvīns, dzirkstošais vīns utt.

UZMANĪBU

lūdzu, uzglabājiet dažādus pārtikas produktus atbilstoši nodalījumiem vai mērķa uzglabāšanas temperatūrai.

TĪRĪŠANA UN APKOPE

Kopējā tīrīšana

- Lai uzlabotu dzesēšanas efektu un enerģijas ietaupījumu, putekļi aiz ledusskapja un uz grīdas ir nekavējoties jānotīra.
- Regulāri pārbaudiet durvju blīvējumu, lai pārliecinātos, ka tajā nav grūžu. Durvju blīvi tīriet ar mīkstu drāniņu, kas samitrināta ar ziepjūdeni vai atšķaidītu mazgāšanas līdzekli.
- Lai novērstu smaku, ledusskapja iekšpuse regulāri jātīra.
- Pirms tīrīšanas, lūdzu, izslēdziet strāvas padevi, izņemiet visus pārtikas produktus, dzērienus, plauktus, atvilktnes utt.
- Ledusskapja iekšpusē tīrīšanai ar mīkstu drānu vai sūkli jāizmanto divas ēdamkarotes cepamās sodas un viena ceturtdaļa silta ūdens. Pēc tam noskalojiet ar ūdeni un notīriet. Pēc tīrīšanas atveriet durvis un ļaujiet ierīcei dabiski nožūt, pirms pieslēdzat strāvu.
- Lai nodrošinātu, ka ledusskapja vietās, kuras ir grūti iztīrīt (piemēram, šaurās sviestmaizēs, spraugās vai stūros), neveidojas piesārņojums vai baktēriju sanesumi, ieteicams bieži noslaucīt šīs vietas ar mīkstu lupatiņu, mīkstu birstīti utt. un, ja nepieciešams, kopā ar dažiem palīg līdzekļiem (piemēram, plānām kociņiem).
- Jāizvairās no tādu produktu kā ziepju, mazgāšanas līdzekļu, tīrīšanas pulvera, tīrīšanas līdzekļu izsmidzināmā veidā u. c. lietošanas, jo tie var radīt nepatīkamu aromātu ledusskapja iekšpusē vai piesārņot pārtikas produktus.
- Betona rāmi, plauktus un atvilktnes notīriet ar mīkstu drānu, kas samitrināta ar ziepjūdeni vai atšķaidītu mazgāšanas līdzekli. Nosusiniet ar mīkstu drāniņu vai ļaujiet nožūt dabiski.
- Lai notīrītu ledusskapja ārpusi, izmantojiet mīkstu drānu, kas samitrināta ar ziepjūdeni, mazgāšanas līdzekli utt., un pēc tam noslaukiet to sausu.
- Nelietojiet priekšmetus, kas var saskrāpēt ledusskapja virsmu vai iekšpusi, piemēram, cietas birstes, tīras tērauda lodītes, stieplu birstes, zobu pastas, organiskos šķīdinātājus (piemēram, acetonu, spirtu, banānu eļļu u. c.), verdošu ūdeni, skābus pārtikas produktus un sārmainas vielas. Verdošs ūdens un organiskie šķīdinātāji, piemēram, benzols, var deformēt vai sabojāt ierīces plastmasas daļas.
- Lai novērstu īssavienojumu vai tīrīšanas procesa ietekmi uz elektrisko izolāciju pēc iegremdēšanas, izvairieties no tūlītējas skalošanas ar ūdeni vai citiem šķīdumiem.

UZMANĪBU

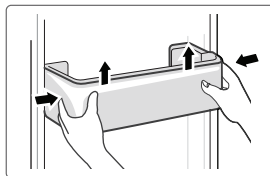
Pirms atkausēšanas un tīrīšanas atvienojiet ledusskapi no strāvas.

Atkausēšana

- Ledusskapis ir izgatavots pēc gaisa dzesēšanas principa, tāpēc tam ir automātiska atkausēšanas funkcija. Sarmu, kas veidojas gadalaiku vai temperatūras maiņas dēļ, var arī manuāli noņemt, atvienojot ierīci no strāvas padeves vai noslaukot ar sausu dvieli.

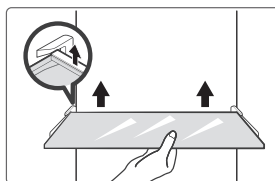
Durvju paliktnis tīrīšana

- Ar abām rokām saspiediet un virziet paplāti uz augšu virzienā, kas norādīts ar virziena bultiņu attēlā zemāk, pēc tam varat izņemt paplāti.
- Pēc izņemšanas no paplātes pēc tās mazgāšanas varat mainīt tās uzstādīšanas augstumu atkarībā no vajadzībām.



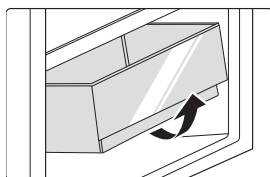
Stikla plaukta tīrīšana

- Plaukti ir jāpaceļ, jo ledusskapja odeses iekšējai daļai, kas pieskaras plauktiem, pirms tās noņemšanas ir aizbīdnis.
- Pielāgojiet vai notīriet plauktus atbilstoši savām prasībām.



Dārzeņu atvilktnes tīrīšana

1. Izņemiet atvilktnes saturu. Turiet dārzeņu atvilktnes rokturi un pilnībā izvelciet atvilktni, līdz tā apstājas.
2. Paceliet dārzeņu atvilktni uz augšu un izvelciet to.



Laikā, kad ierīce nedarbojas

Strāvas padeves traucējumi:

Strāvas padeves traucējumu gadījumā, pat ja tas notiek vasarā, pārtikas produktus ierīces iekšpusē var turēt vairākas stundas; strāvas padeves pārtraukuma laikā ir jāsamazina durvju atvēršanas reižu skaits, un ierīcē vairs nedrīkst ievietot svaigu pārtiku.

Nelietošana ilgu laiku:

Ierīci jāatvieno no tīkla un pēc tam jānotīra; ierīces durvis ir jāatstāj atvērtas, lai novērstu nepatīkamas smakas veidošanos.

Pārvietošana:

Pirms ledusskapja pārvietošanas izņemiet visus priekšmetus, ar lenti nofiksējiet stikla starpsienas, dārzeņu turētāju, saldēšanas kameras atvilktnes utt., tad pieskrūvējiet izlīdzināšanas kājiņas; aizveriet durvis un nostipriniet tās ar lenti. Pārvietošanas laikā ierīci nedrīkst novietot otrādi vai horizontāli, kā arī to nedrīkst svārstīt; slīpums kustības laikā nedrīkst būt lielāks par 45°.

● UZMANĪBU

Pēc ieslēgšanas ierīcei ļaujiet darboties nepārtraukti. Parasti ierīces darbību nedrīkst pārtraukt, pretējā gadījumā var samazināties tās kalpošanas laiks.

PROBLĒMU NOVĒRŠANA

Lietotājs var atrisināt šādas vienkāršas problēmas. Lūdzam sazināties ar pēcpārdošanas servisa nodaļu, ja problēmas netiek atrisinātas.

Problēma	Iespējamais iemesls
Ierīce nedarbojas	<ul style="list-style-type: none">pārbaudiet, vai ierīce ir pieslēgta strāvas padevei un vai kontaktdakša ir labā kontaktā.
	<ul style="list-style-type: none">pārbaudiet, vai spriegums nav pārāk zems.
	<ul style="list-style-type: none">pārbaudiet, vai ir strāvas padeves pārtraukums vai daļējas ķēdes ir atslēgušās.
Nepatīkama smaka	<ul style="list-style-type: none">Aizturīgi pārtikas produkti ir cieši iesaiņoti.
	<ul style="list-style-type: none">pārbaudiet, vai nav sapuvuša ēdiena.
	<ul style="list-style-type: none">Iztīriet ledusskapja iekšpusi
Kompresora ilgstoša darbība	<ul style="list-style-type: none">Laida ledusskapja darbība vasarā ir normāla.
	<ul style="list-style-type: none">ja ārā ir augsta temperatūra Nav ieteicams ievietot ierīcē pārāk daudz ēdiena uzreiz.
	<ul style="list-style-type: none">Pārtikai pirms ievietošanas ierīcē ir jāatdziest.
Nedeg gaisma	<ul style="list-style-type: none">Durvis tiek atvērtas pārāk bieži
	<ul style="list-style-type: none">pārbaudiet, vai ledusskapis ir pieslēgts strāvas padevei un vai apgaismojošā lampiņa nav bojāta.
	<ul style="list-style-type: none">Lai gaismu nomainītu speciālists
Durvis nevar pareizi aizvērt	<ul style="list-style-type: none">Durvis ir aizķērušās ar pārtikas iepakojumiem Ir ievietots pārāk daudz pārtikas.
	<ul style="list-style-type: none">Ledusskapis ir sasvērts.
Skaļi trokšņi	<ul style="list-style-type: none">pārbaudiet, vai grīda ir līdzena un vai ledusskapis ir novietots stabili.
	<ul style="list-style-type: none">pārbaudiet, vai piederumi ir novietoti pareizās vietās.

Problēma	Iespējamais iemesls
Durvju blīves cieši nepieguļ	<ul style="list-style-type: none"> • Atbrīvojiet svešķermeņus uz durvju blīvējuma • Atjaunojot durvju blīvējumu, vispirms to uzsildiet (vai izmantojiet elektrisko fēnu vai karstu dvieli).
Pārplūst pilienu uztveršanas paliktņis	<ul style="list-style-type: none"> • Kamerā ir pārāk daudz pārtikas produktu vai uzglabātajos pārtikas produktos ir pārāk daudz ūdens, kā rezultātā notiek smaga atkausēšana. • Durvis nav pareizi aizvērtas, kā rezultātā gaisa iekļūšanas dēļ veidojas sals un atkausēšanas dēļ palielinās ūdens daudzums.
Karsts ierīces korpuss	<ul style="list-style-type: none"> • Iebūvētais kondensators izvada siltumu caur korpusu, kas ir normāli. Nodrošiniet svaigā gaisa ventilāciju, lai palīdzētu izkliedēt siltumu, ja korpuss kļūst karsts augstas apkārtējās vides temperatūras, pārāk liela pārtikas produktu daudzuma uzglabāšanas vai kompresora izslēgšanas dēļ.
Virsmas kondensācija	<ul style="list-style-type: none"> • Ja apkārtējais mitrums ir pārāk augsts, uz ledusskapja ārējās virsmas un durvju blīvēm veidojas kondensāts. Vienkārši noslaukiet kondensātu ar tīru dvieli.
Neparasts troksnis	<ul style="list-style-type: none"> • Buzz: Darbības laikā kompresors var radīt dūkšanas skaņu, un dūkšana ir skaļa, iedarbinot ierīci vai apstādinot ierīces darbību. Tas ir normāli. • Creak: Ierīces iekšpusē plūstošais dzesētājs var radīt čīkstošu skaņu, tas ir normāli.

PIELIKUMS

Īpaši jaunajam Eiropas standartam

Tālāk tabulā norādītās daļas var iegādāties no pakalpojuma sniedzēja

Pasūtītā daļa	Nodrošina	Minimālais sagādei nepieciešamais laiks
Termostati	Profesionāls tehniskās apkopes personāls	Vismaz 7 gadus pēc pēdējā modeļa laišanas tirgū
Temperatūras sensori	Profesionāls tehniskās apkopes personāls	Vismaz 7 gadus pēc pēdējā modeļa laišanas tirgū
Drukātās shēmas plates	Profesionāls tehniskās apkopes personāls	Vismaz 7 gadus pēc pēdējā modeļa laišanas tirgū
Gaismas avoti	Profesionāls tehniskās apkopes personāls	Vismaz 7 gadus pēc pēdējā modeļa laišanas tirgū
Durvju rokturi	Profesionāli remontētāji un galalietotāji	Vismaz 7 gadus pēc pēdējā modeļa laišanas tirgū
Durvju eņģes	Profesionāli remontētāji un galalietotāji	Vismaz 7 gadus pēc pēdējā modeļa laišanas tirgū
Plauktiņi	Profesionāli remontētāji un galalietotāji	Vismaz 7 gadus pēc pēdējā modeļa laišanas tirgū
Grozi	Profesionāli remontētāji un galalietotāji	Vismaz 7 gadus pēc pēdējā modeļa laišanas tirgū
Durvju blīves	Profesionāli remontētāji un galalietotāji	Vismaz 10 gadus pēc pēdējā modeļa laišanas tirgū

LV

Cienījamais klient

1. Ja vēlaties atgriezt vai nomainīt preci, lūdzu, sazinieties ar veikalu, kurā iegādājāties doto ierīci.

(Atcerieties paņemt līdzī pirkuma rēķinu)

2. Ja jūsu produkts sabojājas un ir jālabo, lūdzu, sazinieties ar pēcpārdošanas pakalpojumu sniedzēju.

UZMANĪBU

Informāciju par modeli produkta datubāzē, kā arī modeļa identifikatoru var iegūt tīmekļa saitē, noskenējot QR kodu, ja tāds ir redzams uz ražojuma energoefektivitātes etiķetes.

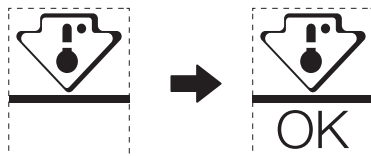
Izmantojiet modeļa nosaukumu, lai veiktu meklēšanu vietnē <https://ec.europa.eu> un uzzinātu vairāk par ierīces energoefektivitāti.

Modeļa nosaukumu var atrast uz ierīces marķējuma.

Aukstākā zona ledusskapī

PĒC IZVĒLES: OK-temperatūras indikators

- Temperatūru zem +4°C var noteikt, izmantojot OK temperatūras indikatoru. Ja uz indikatora nav rakstīts "OK", pakāpeniski pazeminiet temperatūru.



- Lai nodrošinātu temperatūru šajā zonā, nemainiet plaukta novietojumu. Ledusskapjiem ar mākslīgi radītu gaisa padevi (aprīkoti ar ventilatoru vai No Frost modeļi) aukstākās zonas simbols nav attēlots, jo temperatūra ledusskapja iekšpusē ir viendabīga.

Temperatūras indikatora iestatījums

- Tam ir temperatūras indikators, kas uzrāda tipisko temperatūru aukstākajā zonā, lai palīdzētu jums pareizi iestatīt ledusskapi.
- - BRĪDINĀJUMS: Šis indikators ir paredzēts darbam tikai ar jūsu ledusskapi, nelietojiet to citā ledusskapī (patiesībā aukstākā zona nav tāda pati) vai jebkurai citai lietošanai.

Temperatūras pārbaude aukstākajā zonā

- Ar temperatūras indikatoru var regulāri pārbaudīt, vai aukstākās zonas temperatūra ir pareiza. Ledusskapja iekšējā temperatūra ir atkarīga no vairākiem faktoriem, piemēram, istabas apkārtējās vides temperatūras, uzglabātā pārtikas produkta daudzuma un durvju atvēršanas biežuma. Iestatot ierīci, ņemiet vērā šos faktorus.
- Ja indikators rāda "OK", termostats ir pareizi iestatīts un iekštelpu temperatūra ir atbilstoša.
- Ja temperatūras indikators mainās uz BALTU, tas nozīmē, ka temperatūra ir pārāk augsta. Šādā gadījumā paaugstiniet ledusskapja temperatūras regulēšanas iestatījumu un pirms vizuālās pārbaudes veikšanas dodiet indikatoram vēl 12 stundas. Ja ir ievietots svaigs ēdiens vai ledusskapja durvis ir atstātas atvērtas, ir iespējams, ka temperatūras indikators pēc kāda laika kļūst BALTS.

PADĖKOS LAIŠKAS

Dėkojame, kad pasirinkote "Midea"! Prieš naudodami naująjį "Midea" gaminį, perskaitykite šį vadovą iki galo ir įsitinkite, kad suprantate, kaip saugiai naudotis naujojo prietaiso savybėmis ir funkcijomis.

TURINYS

PADĖKOS LAIŠKAS	01
SPECIFIKACIJOS	02
PRODUKTO PERŽIŪRA	03
PRODUKTO MONTAVIMAS	04
NAUDOJIMO INSTRUKCIJOS	11
VALYMAS IR PRIEŽIŪRA	15
TRIKČIŲ ŠALINIMAS	17
PRIEDAS	19

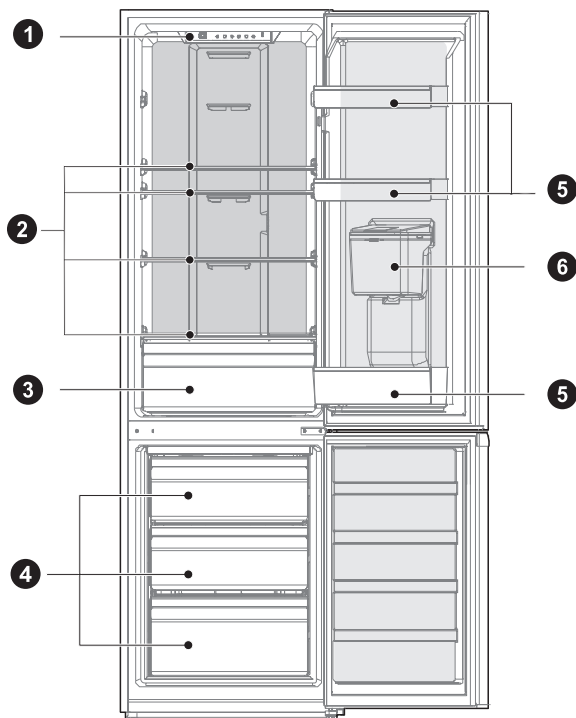
SPECIFIKACIJOS

Produkto modelis	MDRB380FGE SERIES
Šviežio Maisto Laikymo Skyriaus Tūris	199L
Šaldyto Maisto Laikymo Tūris	71L
Atitirpinimo Tipas	Automatinis atitirpinimas
Temperatūros Kilimo LAikas	7h
Užšaldymas Pajėgumai	3,5kg/24h
Nominali Įtampa	220-240V-
Nominali Srovė	0,6A
Bendras Matmuo (H x P x G)	1800x545x625mm

LT

PRODUKTO PERŽIŪRA

Komponentų pavadinimai



1 LED apšvietimas

2 Lentyna

3 Vaisių ir daržovių dėžutė

4 Stalčius

5 Durų Dėklas

6 Vandens dozatorius
(pasirinktinai)

DĖMESIO

Aukščiau pateiktas paveikslėlis yra tik informacinis. Faktinė konfigūracija priklausys nuo fizinio produkto ar platintojo pareiškimo.

PRODUKTO MONTAVIMAS

Montavimo Instrukcija

Klimato klasės šaldymo prietaisams

- Šį šaldytuvą galima naudoti esant aplinkos temperatūrai tarp toliau pateiktoje lentelėje nurodytų temperatūrų, priklausomai nuo klimato klasės.
- Klimato klasę galima rasti vardinėje plokštelėje. Produktas gali tinkamai neveikti temperatūrai esant už tam tikro diapazono ribų.
- Klimato klasę rasite gaminio etiketėje.

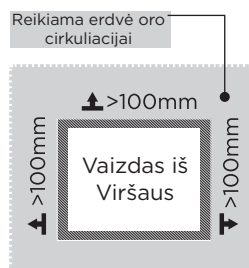
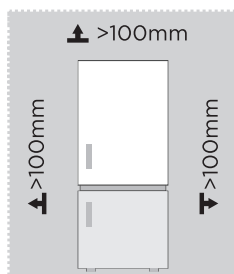
Efektyvus temperatūros diapazonas

- Gaminys skirtas normaliai veikti temperatūros diapazone, kuris nurodytas jo klasėje.

Klasė	Simbolis	Aplinkos temperatūros diapazonas °C	
		IEC 62552 (ISO 15502)	ISO 8561
Išplėstinis vidutinis	SN	+ 10 iki + 32	+ 10 iki + 32
Vidutinio	N	+ 16 iki + 32	+ 16 iki + 32
Subtropikų	ST	+ 16 iki + 38	+ 18 iki + 38
Atogrąžų	T	+ 16 iki + 43	+ 18 iki + 43

Matmenys ir Atstumai

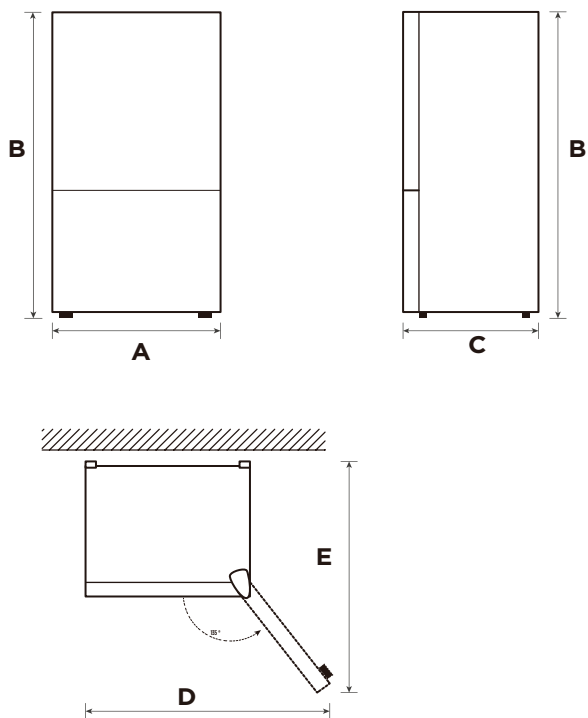
- Jei atstumas tarp gretimų elementų yra per mažas, gali sumažėti šaldymo pajėgumas ir padidėti elektros energijos sąnaudos. Montuodami prietaisą, nuo kiekvienos gretimos sienos palikite daugiau kaip 100 mm tarpą.



⚠ DĖMESIO

Aukščiau pateiktas paveikslėlis yra tik informacinis. Faktinė konfigūracija priklausys nuo fizinio produkto ar platintojo pareiškimo.

Erdvės palikimo schema (kai durys atidarytos ir kai durys uždarytos)



LT

Plotis	Bendras Aukštis	Gylis	Durų plotis atsidaro 135° kampu	Giluminės durys atsidaro 135° kampu
A	B	C	D	E
545	1800	625	820	1070

Pastabos: Visi matmenys (mm)



Išlyginimo kojelės

Siekiant išvengti vibracijos, įrenginys turi būti išlygintas.

Jei reikia, sureguliuokite išlyginamuosius varžtus, kad kompensuotumėte grindų nelygumus.

Priekinė dalis turėtų būti šiek tiek aukščiau nei galinė, kad būtų lengviau uždaryti duris.

Išlyginimo varžtus galima lengvai pasukti šiek tiek pakreipus spintelę.

Pasukite išlyginimo varžtus prieš laikrodžio rodyklę, kad  pakeltumėte įrenginį, pagal laikrodžio rodyklę - kad  nuleistumėte.

Prietaiso perkėlimas

1. Prieš pernešdami šaldytuvą, išimkite visus daiktus iš vidaus, ištraukite maitinimo kištuką.
2. Uždarykite duris ir užklijuokite jas lipnia juosta. Juosta pritvirtinkite stiklines pertvaras, daržovių laikiklius, šaldymo kameros stalčius ir kitus daiktus. Priveržkite išlyginamąsias kojeles.
3. Perkelkite prietaisą atsargiai padedant daugiau nei dviem žmonėms. Prietaiso negalima per dažnai judinti aukštyn kojomis, horizontaliai ar vibruoti; jo pasvirimas neturi viršyti 45 laipsnių.
4. Sumontavę prietaisą, įjunkite maitinimo kištuką į maitinimo lizdą ir įjunkite prietaisą.

DĖMESIO

Atsargumo priemonės prieš operaciją:

Prieš atliekant bet kokius pakeitimus šaldytuvą reikia išjungti. Imantis atsargumo priemonių reikėtų vengti bet kokio asmens sužalojimo.

Vieta

- Prieš pradėdami naudoti šaldytuvą, nuimkite nuo jo visas juostas, putplasčio pagalvėles ir dugno pagalvėles. Taip pat nuimkite apsauginę plėvelę nuo šaldytuvo korpuso ir durelių.
- Saugokite nuo karščio ir venkite tiesioginių saulės spindulių. Nestatykite šaldiklio drėgnose ar šlapiose vietose, kad išvengtumėte rūdžių ir kad nesumažėtų izoliacinis poveikis.
- Šaldytuvo elektros izoliacijos savybėms neturėtų pakenkti apipurškimas, plovimas ar prietaiso pastatymas drėgnose vietose, kur lengvai purškiamas vanduo.
- Žemė turi būti lygi ir tvirta, o šaldytuvą turi būti pastatytas ant jos. Jei žemė nestabili, pasukite ratuką į kairę arba į dešinę, kad ją išlygintumėte.

Durų keitimas iš dešinės į kairę (neprivaloma)

Atsižvelgiant į tai, kur planuojate naudoti šaldytuvą, gali būti patogiau duris laikyti priešingoje padėtyje.



ATSARGIAI

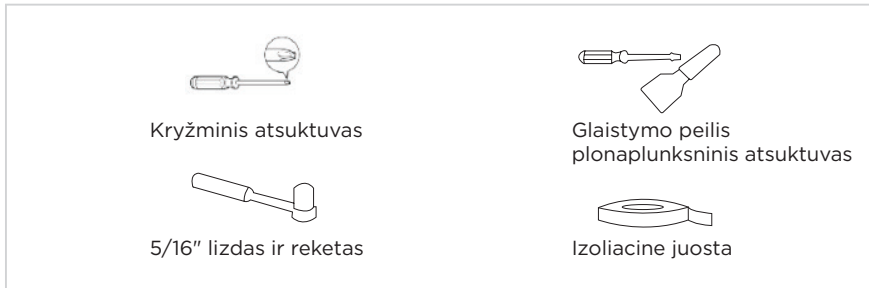
ATSARGIAI: Kad išvengtumėte sužalojimų sau ar savo turtui, rekomenduojame, kad kas nors jums padėtų durų atsukimo metu.

Pasiruošimas pakeisti durų padėtį

Jums reikės: Standartinis atsuktuvus, kryžminis atsuktuvus ir pridamas veržliaraktis.

- Įsitinkinkite, kad šaldytuvas yra atjungtas nuo elektros tinklo ir tuščias.
- Turėkite žmogų, kuris galėtų jums padėti šiame procese.
- Saugokite visas nuimtas dalis, kad vėliau galėtumėte jas vėl panaudoti.

Įrankiai, reikalingi durims pakeisti:

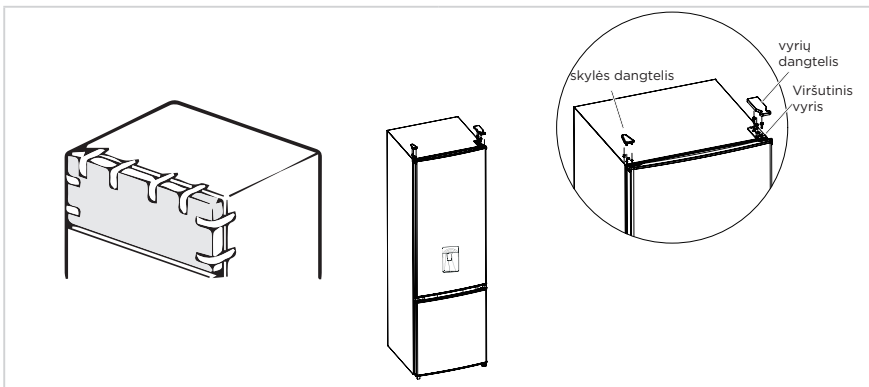


Žingsnis

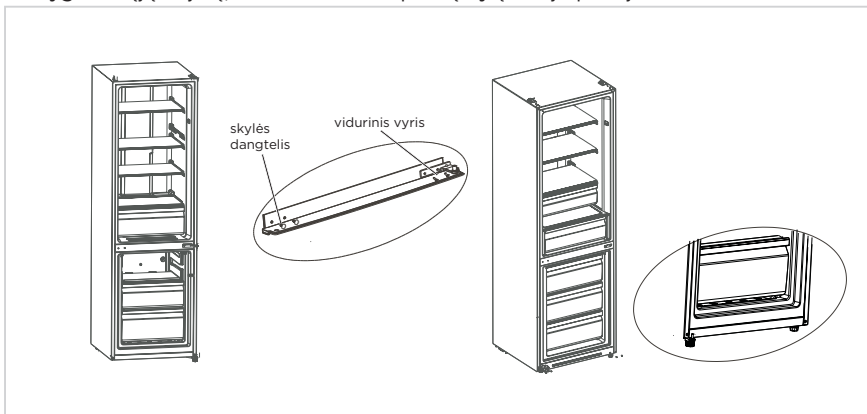
1. Prieš atlikdami šią operaciją, išjunkite šį prietaisą.

Pašalinkite visus maisto produktus iš vidinio durelių įdėklo. Užklijuokite duris lipnia juosta.

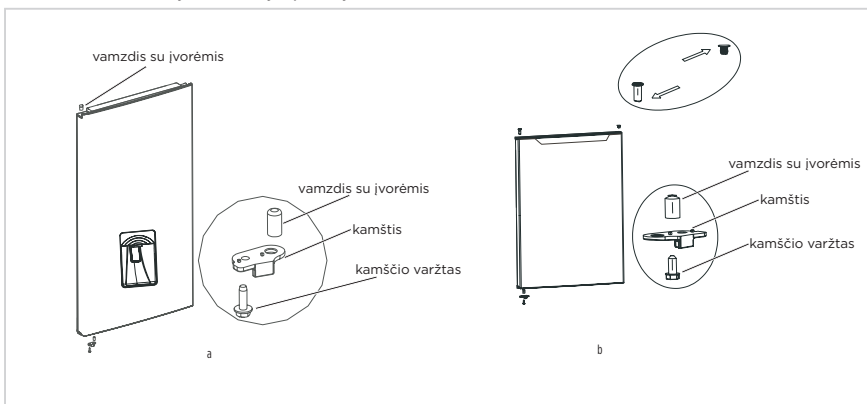
2. Išmontuokite skylės dangtelį, vyrių dangtelį ir viršutinį vyrį.



- Išimkite šaldymo kameros duris, vidurinį vyrį (norint išsukti vidurinio vyro varžtą, reikės veržliarakčio) ir kitos pusės skylės dangtelį.
- Nuimkite šaldymo kameros dureles, išmontuokite apatinį vyrį, skylių dangtelius, išlyginamąją kojelę, sumontuokite apatinį vyrį kitoje pusėje.



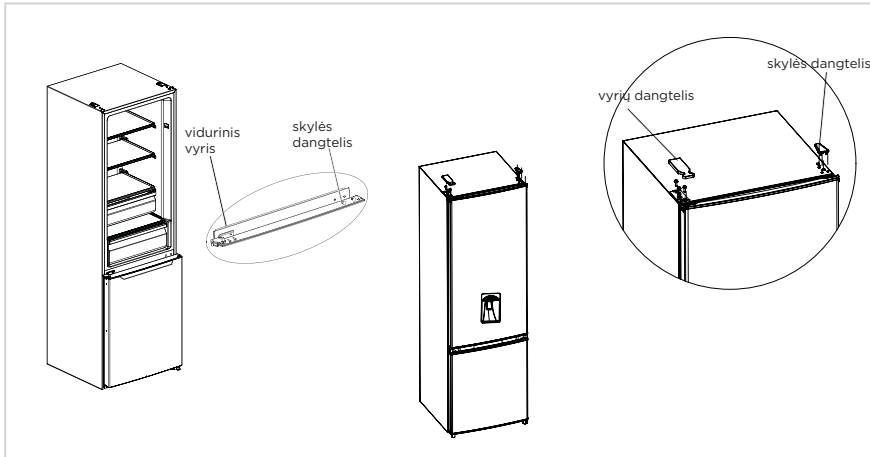
- Iš šaldymo kameros išimkite durų kamštį ir įvorės vamzdį. Užsukite kamštį ir įvorės vamzdį durų apačioje kairėje pusėje.
 - Nuo šaldymo kameros durelių dešinės pusės nuimkite kamštį ir įvorės vamzdį, tada užsukite kamštį ir įvorės vamzdį į vietą durelių apačioje kairėje pusėje. Nuimkite šaldymo kameros durelių įvorės vamzdį ir skylių dangtelius ir sumontuokite juos kitoje pusėje.



- Uždėkite šaldymo duris ant apatinio vyro ir sumontuokite vidurinį vyrį, skylių dangtelius.
- Uždėkite šaldymo kameros duris ant vidurinio vyro ir sumontuokite viršutinį vyrį, vyrų dangtelį.

8. Uždėkite šaldymo kameros duris ant vidurinio vyrio ir sumontuokite viršutinį vyrį, vyrių dangtelį.

Prieš montuodami viršutinio vyrio dangtį turite patvirtinti toliau nurodytus dalykus. Kad sraigtas neišsikreiptų, lankstą laikantys varžtai turi būti tvirtai prispausti prie lanksto paviršiaus. Patikrinkite, ar sumontavus lankstą jis nesiblaško.

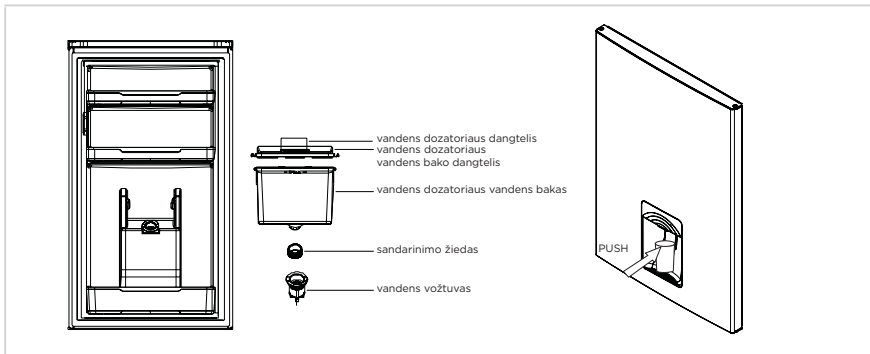


DĖMESIO

Aukščiau pateiktas paveikslėlis yra tik informacinis. Faktinė konfigūracija priklausys nuo fizinio produkto ar platintojo pareiškimo.

Vandens dozatoriaus naudojimas (pasirinktinai)

1. Pirmiausia atidarykite vandens įleidimo dangtelį, pripilkite geriamojo vandens iki "MAX", pažymėto kaip didžiausias vandens kiekis.
2. Paspaudus gaiduką puodelio viduje, vanduo pradės tekėti. Kai gaidukas pastumiamas atgal į pradinę padėtį, vanduo sustoja.
3. Vandens dozatorius gali būti naudojamas tik grynam vandeniui, netinka gėrimams ar vaisių sultims.

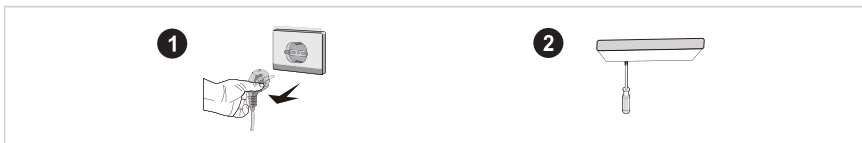


Šviesos keitimas

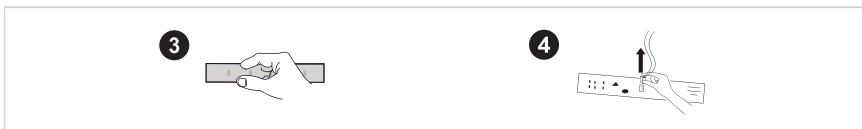
- LED lempų keitimą ar techninę priežiūrą turi atlikti gamintojas, jo techninės priežiūros atstovas arba kitas panašią kvalifikaciją turintis asmuo. Šiame gaminyje įrengtas energijos vartojimo efektyvumo klasės <F> šviesos šaltinis.

Žingsnis

1. Prieš išimdami ištraukite kištuką.
2. Nuimkite gaubtą atsuktuvu.



3. Nuimkite apsaugą.
4. Nuimkite jungties gnybtą.



Prietaiso prijungimas

Prieš pirmą kartą įjungdami šaldytuvą, prieš prijungdami jį prie maitinimo šaltinio, palaikykite šaldytuvą dvi valandas nejudantį.

⚠ DĖMESIO

Prieš dedant į šaldytuvą šviežius ar šaldytus maisto produktus, jis turi veikti 2-3 valandas, o vasarą, kai aplinkos temperatūra aukšta, - iki 4 valandų.

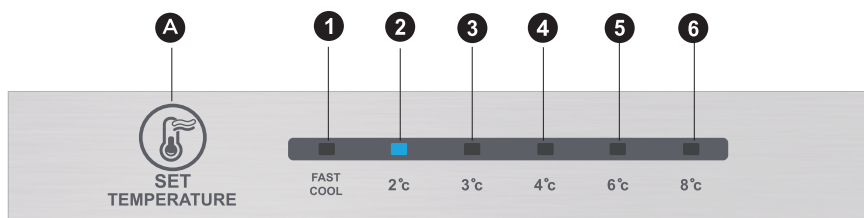
LT

Energijos taupymo patarimai

- Prietaisą reikia statyti vėsiausioje kambario vietoje, apsaugotoje nuo tiesioginių saulės spindulių, atokiau nuo bet kokios šilumą skleidžiančios įrangos ar šildymo kanalų.
- Prieš dėdami į prietaisą, leiskite karšties maisto produktams atvėsti iki kambario temperatūros. Perkraunant prietaisą, kompresorius veikia ilgiau. Per lėtai šaldomi maisto produktai gali prarasti kokybę arba sugesti.
- Prieš dėdami indus į prietaisą, įsitinkinkite, kad jie sausi nuvalyti, o maistas tinkamai suvyniotas. Sumažina šalčio kaupimąsi prietaiso viduje.
- prietaisų laikymo dėžės negalima iškloti aliuminio folija, vaškuotu popieriumi ar popieriniu rankšluosčiu. Įklotai trukdo šalto oro cirkuliacijai, todėl prietaisas tampa mažiau efektyvus.
- Sutvarkykite ir paženklinkite maisto produktus, kad mažiau reikėtų atidaryti duris ir ilgiau ieškoti. Išimkite tiek daiktų, kiek reikia vienu metu, ir kuo greičiau uždarykite duris.

NAUDOJIMO INSTRUKCIJOS

Valdymo pultas



DĖMESIO

Aukščiau pateiktas paveikslėlis yra tik informacinis. Faktinė konfigūracija priklausys nuo fizinio produkto ar platintojo pareiškimo.

Pagrindinis

A Signalizacijos/išjungimo/ijungimo mygtukas

Ekranas

- | | |
|----------|--------------------------|
| 1 | temperatūros nustatymas1 |
| 2 | temperatūros nustatymas2 |
| 3 | temperatūros nustatymas3 |
| 4 | temperatūros nustatymas4 |
| 5 | temperatūros nustatymas5 |
| 6 | temperatūros nustatymas6 |

Ekranas

Ijungus šaldytuvą, ekranas (įskaitant pagrindinę lemputę) ryškiai šviečia tris sekundes, kol prietaisas pradeda veikti esant 4 temperatūros nustatymui.

Įprasto veikimo rodinys

Įvykus gedimui, atitinkama LED lemputė rodys bendrą gedimo kodą (antrinio perdurbimo ekrane);

Jei gedimo nėra, LED lemputė rodys esamą temperatūros nustatymą.

DĖMESIO

Faktinis valdymo skydelis gali skirtis skirtinguose modeliuose.

Naudojimo instrukcijos

Pavaros nustatymas

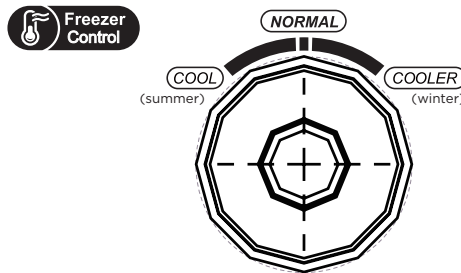
- Temperatūros nustatymas bus keičiamas kiekvieną kartą, kai paspausite mygtuką SET (NUSTATYMAS). Tada po 15 s šaldytuvas veiks pagal naująją nustatymo vertę.
Nustatymas1 → Nustatymas2 → Nustatymas3 → Nustatymas4 → Nustatymas5
→ Nustatymas6 → Nustatymas1

Fast cool (Greito atvėsimo) režimas:

- Įveskite: Cirkuliacinės moduliacijos rapid cooling (greito vėsimo) režimas.
- Veikimas: Užsidega greito atvėsimo indikatorius, o šaldytuvas veikia 2 °C temperatūroje.
- Fast cool (Greito atvėsimo) režimas automatiškai išjungiamas 24 val.
- Fast cool (Greito atvėsimo) funkcija gali būti naudojama kaip Super freezing (Superšaldymo) funkcija.

Šaldymo kameros temperatūros valdymas

- "NORMAL (NORMALUS)" padėtis paprastai naudojama todėl, kad "COOLER (ŠALTASIS)" padėtyje užšalimo temperatūra yra santykinai žema, o "COOL (ŠALTA)" padėtyje - santykinai aukšta.
- Kai vasarą aplinkos temperatūra aukšta, temperatūra turi būti nuo "NORMAL" iki "COOL (ŠALTA)". Jei aplinkos temperatūra yra aukštesnė nei 35 °C, vyrauja "COOL (ŠALTA)" padėtis.
- Žiemą esant žemai aplinkos temperatūrai, temperatūra turi būti tarp "NORMAL (NORMALUS)" ir "COOLER (ŠALTASIS)". Jei aplinkos temperatūra yra žemesnė nei 10 °C, vyrauja "COOLER (ŠALTASIS)" padėtis.



Klaidos kodas

- Tokie ekrane rodomi įspėjimai rodo atitinkamus šaldytuvo gedimus.
- Naudotojas turi kreiptis į techninės priežiūros specialistą dėl techninės priežiūros, net jei šaldytuvas vis dar gali atšaldyti ir užšaldyti esant toliau nurodytiems gedimams, kad būtų užtikrintas normalus šaldytuvo naudojimas.

Gedimo Kodas	Gedimas Aprašymas
Užsidega LED 1 ir LED 2	Šaldytuvo temperatūros jutiklio grandinė
Užsidega LED 1 ir LED 3	Šaldiklio atitirpinimo jutiklis
Užsidega LED 4 ir LED 4	Aplinkos temperatūros jutiklis

Šaldymo kamera

- Įvairius vaisius, daržoves, gėrimus ir kitus greitai suvartojamus maisto produktus šaldytuve galima laikyti nuo trijų iki penkių dienų.
- Virtų maisto produktų negalima dėti į šaldymo kamerą, kol jie neatvėso iki kambario temperatūros.
- Prieš dedant maisto produktus į šaldytuvą, juos rekomenduojama sandariai uždaryti.
- Stiklines lentynas galima reguliuoti aukštyr arba žemyn, kad jose būtų pakankamai vietos ir jas būtų lengva naudoti.

Užšaldymas kamera

- Žemos temperatūros šaldymo kameroje maistas gali ilgai išlikti šviežias, jį dažniausiai naudojama šaldytiems maisto produktams laikyti ir ledui gaminti.
- Šaldymo kamera tinka mėsai, žuviai, ryžių rutuliukams ir kitiems maisto produktams, kurie nebus vartojami per trumpą laiką, laikyti.
- Mėsos gabalėlius geriausia padalyti į mažus gabalėlius, kad būtų galima greitai užšaldyti ir lengvai pasiekti. Atkreipkite dėmesį, kad maistas turi būti suvartotas per galiojimo terminą.

Serijos numeris	Skyriai TIPAS	Normatyvinė laikymo temp. [°C]	Tinkamas maistas
1	Šaldytuvus	+2 - +8	Kiaušiniai, virtas maistas, supakuotas maistas, vaisiai ir daržovės, pieno produktai, pyragai, gėrimai ir kiti maisto produktai šaldymui netinka.
2	(***)*-Šaldiklis	≤-18	Jūros gėrybės (žuvis, krevetės ir vėžiagyviai), gėlavandeniai vandens produktai ir mėsos produktai yra tinkami šaldyti šviežias maistas ir turėtų būti laikomi ne ilgiau kaip tris mėnesius. Kuo ilgiau jie bus laikomi, tuo blogesnis bus maisto skonis ir maistingumas.
3	***-Šaldiklis	≤-18	Jūros gėrybės (žuvis, krevetės ir vėžiagyviai), gėlavandeniai vandens produktai ir mėsos produktai yra tinkami šaldyti šviežias maistas ir turėtų būti laikomi ne ilgiau kaip tris mėnesius. Kuo ilgiau jie bus laikomi, tuo blogesnis bus maisto skonis ir maistingumas.
4	**-Šaldiklis	≤-12	Jūros gėrybės (žuvis, krevetės ir vėžiagyviai), gėlavandeniai vandens produktai ir mėsos produktai yra tinkami šaldyti šviežias maistas ir turėtų būti laikomi ne ilgiau kaip tris mėnesius. Kuo ilgiau jie bus laikomi, tuo blogesnis bus maisto skonis ir maistingumas.
5	*-Šaldiklis	≤-6	Jūros gėrybės (žuvis, krevetės ir vėžiagyviai), gėlavandeniai vandens produktai ir mėsos produktai yra tinkami šaldyti šviežias maistas ir turėtų būti laikomi ne ilgiau kaip tris mėnesius. Kuo ilgiau jie bus laikomi, tuo blogesnis bus maisto skonis ir maistingumas.
6	O-star	-6-0	Šviežia kiauliena, jautiena, žuvis, vištiena, kai kurie supakuoti perdirbti maisto produktai ir t. t. (Rekomenduojama suvalgyti tą pačią dieną, pageidautina ne vėliau kaip per 3 dienas). Iš dalies inkapsuliuoti perdirbti maisto produktai (neužšaldomi maisto produktai).
7	Vėsinimas	-2 - +3	Šviežia/šaldyta kiauliena, jautiena, vištiena, gėlo vandens produktai ir t. t. (7 dienas žemesnėje nei 0 °C temperatūroje ir aukštesnėje nei 0 °C temperatūroje rekomenduojama suvartoti per tą pačią dieną, pageidautina ne ilgiau kaip 2 dienas). Jūros gėrybės (žemesnėje nei 0 per 15 dienų, nerekomenduojama laikyti aukštesnėje nei 0 °C temperatūroje).
8	Šviežias maistas	0 - +4	Šviežia kiauliena, jautiena, žuvis, vištiena, virtas maistas ir t. t. (Rekomenduojama suvalgyti per tą pačią dieną, pageidautina ne daugiau kaip per 3 dienas)
9	Vynas	+5 - +20	Raudonas vynas, baltas vynas, putojantis vynas ir t. t.

DĖMESIO

laikykite skirtingus maisto produktus atitinkamuose skyriuose arba pagal normatyvinę laikymo temperatūrą.

VALYMAS IR PRIEŽIŪRA

Bendras valymas

- Už šaldytuvo ir ant žemės esančios dulkės turi būti laiku nuvalomos, kad pagerėtų šaldymo efektas ir būtų taupoma energija.
- Reguliariai tikrinkite durelių tarpiklį, ar jame nėra šiukšlių. Nuvalykite durelių tarpiklį minkštu skudurėliu, sudrėkintu muiluotu vandeniu arba praskiestu plovikliu.
- Šaldytuvo vidų reikia reguliariai valyti, kad nesusidarytų nemalonus kvapas.
- Prieš valydami vidų išjunkite maitinimą, išimkite visus maisto produktus, gėrimus, lentynas, stalčius ir pan.
- Dviem valgomaisiais šaukštais valgomosios sodos ir ketvirčiu šilto vandens minkštu skudurėliu ar kempine išvalykite šaldytuvo vidų. Tada nuplaukite vandeniu ir nuvalykite. Išvalę atidarykite dureles ir leiskite joms natūraliai išdžiūti, prieš įjungdami maitinimą.
- Kad sunkiai valomose šaldytuvo vietose (pvz., siaurose vietose, tarpuose ar kampuose) nesusidarytų teršalų ar bakterijų sancaupų, patariama tas vietas dažnai nuvalyti minkštu skuduru, minkštu šepetėliu ir pan., o prireikus - kartu su pagalbinėmis priemonėmis (pvz., plonomis lazdelėmis).
- Reikėtų vengti naudoti tokius produktus kaip muilas, ploviklis, šveitimo milteliai, purškiami valikliai ir t. t., nes dėl jų šaldytuvo vidus gali tapti nemalonaus kvapo arba užteršti maistą.
- Butelių rėmą, lentynas ir stalčius valykite minkšta šluoste, sudrėkinta muiluotu vandeniu arba praskiestu plovikliu. Džiovinkite minkštu skudurėliu arba išdžiovinkite natūraliai.
- Šaldiklio išorinį paviršių nuvalykite minkšta šluoste, sudrėkinta muiluotu vandeniu, plovikliu ir pan., ir nušluostykite sausai.
- Venkite naudoti daiktus, kurie gali subraižyti šaldytuvo paviršių ar vidų, pavyzdžiui, kietus šepetčius, švarius plieno rutuliukus, vielinius šepetčius, dantų pastas, organinius tirpiklius (pvz., acetoną, alkoholį, bananų aliejų ir kt.), verdantį vandenį, rūgščius maisto produktus ir šarmines medžiagas. Verdantis vanduo ir organiniai tirpikliai, tokie kaip benzenas, gali deformuoti arba sugadinti plastikines dalis.
- Kad išvengtumėte trumpojo jungimo arba kad valymo procesas nepaveiktų elektros izoliacijos po panardinimo, venkite iš karto skalauti vandeniu ar kitais skysčiais.

DĖMESIO

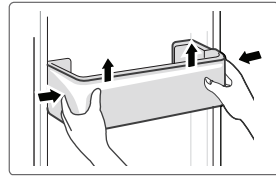
Norėdami atitirpinti ir išvalyti, atjunkite šaldytuvą iš elektros tinklo.

Atšildymas

- Šaldytuvą pagamintas oro aušinimo principu, todėl turi automatinio atitirpinimo funkciją. Šerkšną, susidariusį dėl sezono ar temperatūros pokyčių, taip pat galim pašalinti rankiniu būdu, atjungus prietaisą nuo maitinimo šaltinio arba nuvalant sausu rankšluosčiu.

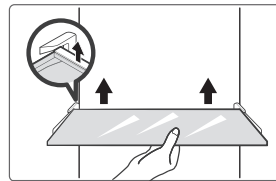
Durų dėklo valymas

- Abiem rankomis suspauskite ir stumkite dėklą aukštyn toliau pateiktoje iliustracijoje rodykle nurodyta kryptimi, tada dėklą galėsite išimti.
- Atsižvelgdami į savo poreikius, galite pakeisti dėklo montavimo aukštį jį nuplovē.



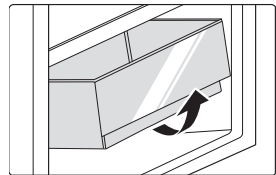
Stiklinės lentynos valymas

- Prieš nuimdami lentynas turite jas pakelti, nes vidinė šaldytuvo įdėklo dalis, kuri liečiasi su lentynomis, turi atramą.
- Reguluokite arba valykite lentynas pagal savo poreikius.



Daržovių stalčiaus valymas

1. Išimkite stalčiaus turinį. Laikykite daržovių stalčiaus rankeną ir ištraukite jį iki galo, kol jis sustos.
2. Pakelkite daržovių stalčių aukštyn ir išimkite jį ištraukdami.



Neveikia

Matinimo klaida:

Nutrūkus elektros tiekimui, net ir vasarą, maisto produktai prietaiso viduje gali būti laikomi kelias valandas; nutrūkus elektros energijos tiekimui, nedarinėkite durų ir į prietaisą nebedėkite daugiau šviežių maisto produktų.

Ilgas prietaiso nenaudojimas:

Prietaisas turi būti atjungtas nuo elektros tinklo ir išvalytas; tada durys paliekamos atidarytos, kad būtų išvengta kvapo.

Transportavimas:

Prieš perkeldami šaldytuvą, paimekite visus daiktus iš vidaus, užfiksuokite stiklo pertvaras, daržovių laikiklį, užšaldymas kameros stalčius ir pan. Ir priveržkite išlyginamąsias kojas; uždarykite duris ir pritvirtinkite juosta. Judant prietaisas neturi būti paguldytas aukštyn kojomis ar horizontaliai arba būti vibruojamas; judėjimo metu pasvirimas turi būti ne didesnis kaip 45 °.

● DĖMESIO

Įjungus prietaisą, jis turi veikti nuolat. Apskritai prietaiso veikimas neturi būti nutrauktas, nes priešingu atveju gali sutrumpėti jo eksploataavimo laikas.

TRIKČIŲ ŠALINIMAS

Vartotojas gali išspręsti šias paprastas problemas Jei problemos neišspręstos, kreipkitės į garantinio aptarnavimo skyrių.

Problema	Galima priežastis
Nepavyko atlikti operacijos	• Patikrinkite, ar prietaisas prijungtas prie elektros tinklo, ar kištukas gerai liečiasi su prietaisu.
	• Patikrinkite, ar įtampa nėra per maža
	• Patikrinkite, ar nėra elektros energijos tiekimo sutrikimo, ar neišsijungė dalinės grandinės.
Kvapas	• Alytaus maisto produktai turi būti sandariai suvynioti
	• Patikrinkite, ar nėra sugedusio maisto
	• Išvalykite šaldytuvo vidų
Ilgalaikis kompresoriaus veikimas	• Ilgas šaldytuvo veikimas vasarą yra normalus.
	• kai aplinkos temperatūra yra aukšta Nepatartina vienu metu į prietaisą dėti per daug maisto.
	• Maistas prieš dedant į prietaisą turi atvėsti.
	• Durys atidaromos per dažnai
Šviesos nepavyksta uždegti	• Patikrinkite, ar šaldytuvą prijungtas prie maitinimo šaltinio ir ar šviečianti lempučių nepažeista.
	• Pasikvieskite specialistą pakeisti lempučių
Durys negali būti tinkamai uždarytos	• Durys užstrigo dėl maisto pakuočių Dedama per daug maisto.
	• Šaldytuvą yra pasviręs.
Garsus triukšmas	• Patikrinkite, ar grindys lygios ir ar šaldytuvą stovi stabiliai.
	• Patikrinkite, ar priedai yra tinkamose vietose.

Problema	Galima priežastis
Durų tarpiklis nėra sandarus	<ul style="list-style-type: none"> Pašalinkite ant durų sandariklio esančius pašalinius daiktus Įkaitinkite durų sandariklį ir atvėsinkite jį, kad galėtumėte atkurti (arba išpūskite jį elektriniu džiovituvu, arba kaitinkite karštu rankšluosčiu).
Vandens surinkimo indas perpildytas	<ul style="list-style-type: none"> Kameroje yra per daug maisto arba laikomame maiste yra per daug vandens, todėl jis sunkiai atitirpsta. Durys nėra tinkamai uždarytos, todėl dėl oro patekimo į vidų susidaro šerškšnas, o dėl atitirpimo padidėja vandens kiekis.
Karštas būstas	<ul style="list-style-type: none"> Įmontuotas kondensatorius šilumą išsklaido per korpusą, tai normalu. Užtikrinkite garsų vėdinimą, kad padėtumėte išsklaidyti šilumą, kai korpusas įkaista dėl aukštos aplinkos temperatūros, per didelio maisto produktų kiekio laikymo arba kompresoriaus išjungimo.
Paviršiaus kondensatas	<ul style="list-style-type: none"> Kondensacija ant šaldytuvo išorinio paviršiaus ir durelių sandariklių yra normali, kai aplinkos drėgmė yra per didelė. Tiesiog nuvalykite kondensatą švariu rankšluosčiu.
Nenormalus triukšmas	<ul style="list-style-type: none"> Buzz: Eksploatacijos metu kompresorius gali kelti garsą, ypač įjungiant ar išjungiant Tai normalu. Creak: Į prietaiso vidų tekantis šaltnešis gali sukelti girgždėjimą, o tai yra normalu.

PRIEDAS

Ypatingai skirta naujam Europos standartui

Toliau pateiktoje lentelėje nurodytas užsakytas dalis galima įsigyti iš paslaugų teikėjo kanalo

Užsakyta dalis	Pateikė	Minimalus laikas, reikalingas teikimui
Termostatai	Profesionalios techninės priežiūros darbuotojai	Ne mažiau kaip 7 metai nuo paskutinio modelio, esančio rinkoje, pradžios
Temperatūros jutikliai	Profesionalios techninės priežiūros darbuotojai	Ne mažiau kaip 7 metai nuo paskutinio modelio, esančio rinkoje, pradžios
Spausdintinės plokštės	Profesionalios techninės priežiūros darbuotojai	Ne mažiau kaip 7 metai nuo paskutinio modelio, esančio rinkoje, pradžios
Šviesos šaltiniai	Profesionalios techninės priežiūros darbuotojai	Ne mažiau kaip 7 metai nuo paskutinio modelio, esančio rinkoje, pradžios
Durų rankenos	Profesionalūs remtininkai ir galutiniai vartotojai	Ne mažiau kaip 7 metai nuo paskutinio modelio, esančio rinkoje, pradžios
Durų vyriai	Profesionalūs remtininkai ir galutiniai vartotojai	Ne mažiau kaip 7 metai nuo paskutinio modelio, esančio rinkoje, pradžios
Padėklai	Profesionalūs remtininkai ir galutiniai vartotojai	Ne mažiau kaip 7 metai nuo paskutinio modelio, esančio rinkoje, pradžios
Krepšeliai	Profesionalūs remtininkai ir galutiniai vartotojai	Ne mažiau kaip 7 metai nuo paskutinio modelio, esančio rinkoje, pradžios
Durų tarpinės	Profesionalūs remtininkai ir galutiniai vartotojai	Ne mažiau kaip 10 metai nuo paskutinio modelio, esančio rinkoje, pradžios

LT

Gerbiamas kliente

1. Jei norite grąžinti ar pakeisti prekę, susisiekite su parduotuve, kurioje perkate. (Nepamirškite atsinešti pirkimo sąskaitos faktūros)
2. Jei jūsų gamins sugenda, kurį reikia taisyti, susisiekite su garantinio aptarnavimo paslaugų teikėju.

DĖMESIO

Informaciją apie gaminio duomenų bazėje esantį modelį, taip pat modelio identifikatorių galima gauti per interneto nuorodą, nuskaitytą QR kodu, jei toks yra gaminio energijos vartojimo efektyvumo etiketėje.

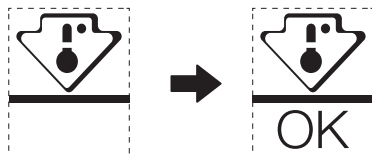
Norėdami gauti daugiau informacijos apie prietaiso energijos vartojimo efektyvumą, apsilankykite svetainėje <https://ec.europa.eu> ir atlikite paiešką pagal modelio pavadinimą.

Modelio pavadinimą rasite prietaiso įvertinimo etiketėje.

Šalčiausia šaldytuvo zona

PASIRINKTINAI: OK temperatūros indikatorius

- Žemesnę nei +4 °C temperatūrą galima nustatyti naudojant OK temperatūros indikatorius. Jei ženklas nerodo "OK", palaipsniui mažinkite temperatūrą.



- Kad būtų užtikrinta temperatūra šioje srityje, nekeiskite lentynos padėties. Šaldytuvuose su priverstiniu oru (su ventiliatoriumi arba "No Frost" modeliuose) šalčiausios zonos simbolis nepateikiamas, nes temperatūra viduje yra vienoda.

Temperatūros indikatoriaus nustatymas

- Jame yra temperatūros indikatorius, kuris rodo tipinę temperatūrą šalčiausioje zonoje ir padeda tinkamai nustatyti šaldytuvą.
- ĮSPĖJIMAS: šis indikatorius skirtas naudoti tik su jūsų šaldytuvu; nebandykite jo naudoti kituose šaldytuvuose (šalčiausia zona kiekviename šaldytuve yra skirtinga).

Temperatūros tikrinimas šalčiausioje zonoje

- Naudodami temperatūros indikatorius galite reguliariai tikrinti, ar šalčiausios zonos temperatūra yra tinkama. Iš tiesų šaldytuvo vidaus temperatūra priklauso nuo kelių veiksnių, pavyzdžiui, aplinkos temperatūros patalpoje, laikomų maisto produktų kiekio ir durų atidarymo dažnumo. Atsižvelkite į šiuos veiksnius nustatydami prietaisą.
- Kai indikatorius rodo "OK", tai reiškia, kad jūsų termostatas yra gerai sureguliuotas ir vidaus temperatūra yra tinkama.
- Jei temperatūros indikatorius pasikeičia į BALTA, tai reiškia, kad temperatūra yra per aukšta. Tokiu atveju padidinkite šaldytuvo temperatūros reguliavimo nustatymą ir prieš atlikdami vizualinę apžiūrą leiskite indikatorius rodyti dar 12 valandų. Įdėjus šviežią maistą arba palikus duris atidarytas, temperatūros indikatorius po kurio laiko gali tapti BALTAS.

ПИСМО ЗАХВАЛНОСТИ

Хвала вам што сте изабрали Мидеу! Пре коришћења вашег новог Midea производа, молимо прочитајте ово корисничко упуство темељно да би сте осигурали да знате како да руководите карактеристикама и функцијама, да би ваш нови уређај радио на безбедан начин.

САДРЖАЈ

ПИСМО ЗАХВАЛНОСТИ	01
СПЕЦИФИКАЦИЈЕ	02
ПРЕГЛЕД ПРОИЗВОДА	03
ИНСТАЛАЦИЈА ПРОИЗВОДА	04
УПУТСТВО ЗА РАД	11
ЧИШЋЕЊЕ И ОДРЖАВАЊЕ	15
РЕШАВАЊЕ ПРОБЛЕМА	17
ДОДАТАК	19

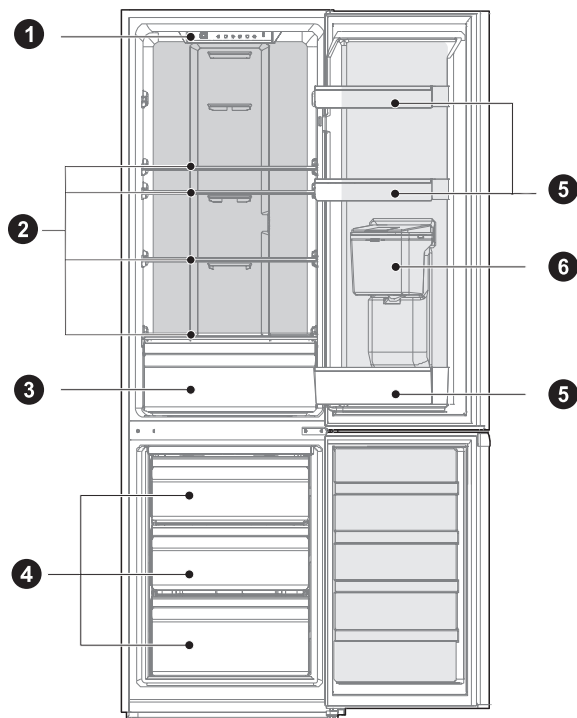
СПЕЦИФИКАЦИЈЕ

Модел производа	MDRB380FGE SERIES
Запремина одељка за складиштење свеже хране	199L
Запремина складиштења смрзнуте хране	71L
Тип одмрзавања	Самостално одмрзаванје
Време пораста температуре	7h
Капацитет замрзавања	3,5kg/24h
Напон	220-240V-
Номинална струја	0,6A
Укупна димензија (В x Ш x Д)	1800x545x625mm

SR

ПРЕГЛЕД ПРОИЗВОДА

Називи компоненти



1 LED осветљење

2 Полица

3 Кутија за воће и поврће

4 Фиока

5 Доор Траи

6 Диспензер за воду (опционо)

ПАЖЊА

Слика изнад служи само за референцу. Стварна конфигурација зависи од физичког производа или изјаве дистрибутера.

ИНСТАЛАЦИЈА ПРОИЗВОДА

Упутство за Инсталирање

За расхладне уређаје са климатском класом

- У зависности од класе климатизације, овај уређај за хлађење је намењен да се користи у распону околне температуре приказане на следећој табели.
- Класу климатизације можете пронаћи на табели са подацима. Производ можда неће исправно радити на температурама изван одређеног опсега.
- Класу климатизације можете пронаћи на етикети производа.

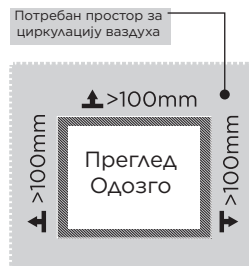
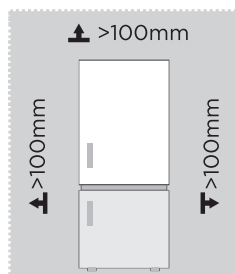
Ефективни температурни опсег

- Производ је дизајниран да нормално ради у температурном опсегу одређеном у његовој класи.

Класа	Симбол	Опсег температуре околине °C	
		ИЕЦ 62552 (ИСО 15502)	ИСО 8561
Проширено умерена	SN	+ 10 до + 32	+ 10 до + 32
Умерена	H	+ 16 до + 32	+ 16 до + 32
Субтропска	ST	+ 16 до + 38	+ 18 до + 38
Тропска	T	+ 16 до + 43	+ 18 до + 43

Димензије и размаци

- Премала удаљеност од суседних предмета може довести до смањења способности замрзавања и повећања трошкова електричне енергије. Оставите више од 100 мм слободног простора од сваког суседног зида приликом постављања уређаја.

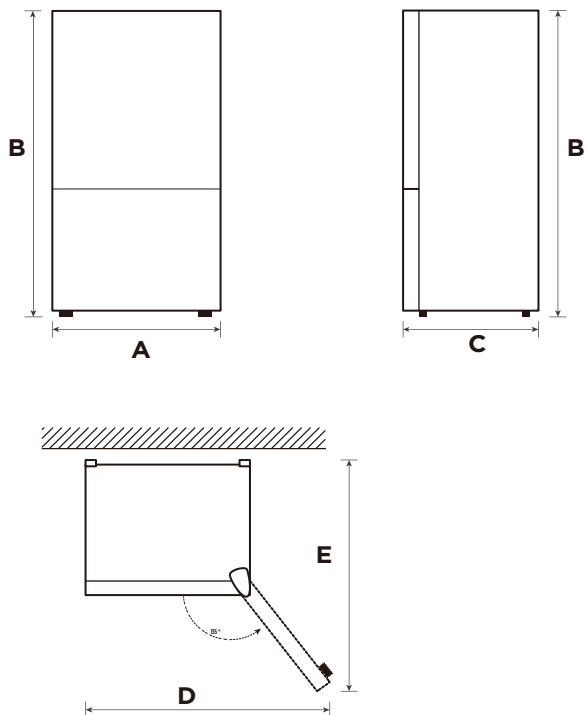


ПАЖЊА

Слика изнад служи само за референцу. Стварна конфигурација зависиће од физичког производа или изјаве дистрибутера.

SR

Дијаграм потреба за простором (када су врата отворена и када су врата затворена)



SR

Ширина	Свеукупна Висина	Дубина	Ширина врата се отвара 135°	Дубина врата се отвара 135°
A	B	C	D	E
545	1800	625	820	1070

Напомена: Све димензије су у мм



Ноге за нивелисање

Да би се избегле вибрације, јединица мора бити нивелисана.

Ако је потребно, подесите завртње за нивелисање да бисте компензовали неравни под.

Предњи део треба да буде нешто виши од задњег да би се лакше затворила врата.

Ногице за нивелисање могу се лако окренути лаганим нагињањем кућишта.

Окрените завртње за нивелисање у смеру супротном од казаљке на сату  да бисте подигли јединицу, у смеру казаљке на сату  да бисте је спустили.

Померање уређаја

1. Пре него што се фрижидер помера, извуците све предмете напољу и искључите напајање.
2. Фиксирајте лепљивом траком стаклене преграде, држач поврћа, фиоке коморе за замрзавање итд. И стегните ногаре за нивелисање, затворите врата и њих исто зачепите
3. Пажљиво померајте уређај са више од две особе. Током померања, уређај не сме да буде претерано положен наопако или хоризонтално, нити да буде вибриран; нагиб током кретања не сме бити већи од 45°.
4. Након инсталирања уређаја, прикључите утикач у утичницу да бисте укључили уређај.

ПАЖЊА

Мере опреза пре операције:

Пре билокаквих измена фрижидер мора бити искључен из напајања, потребно је предузети превентивне мере да би се избегла лична повреда.

Постављање

- Пре коришћења, уклоните материјал којим је упаковано, укључујући доње јастучиће од пене, и траке унутар фрижидера, поцепајте заштитну фолију на вратима и ободу фрижидера.
- Држати подаље од топлоте и директне сунчеве светлости. Не постављати фрижидер на влажним или мокрим местима да би се избегла рђа или смањено ефекат изолације.
- Не прскајте нити перите фрижидер, не постављати фрижидер на влажним местима где би лако дошло до прскања водом, како не би утицало на електричну изолацију фрижидера.
- Фрижидер се поставља у добро проветрено затворено место; подлога треба да буде равна и чврста (ротирајте лево или десно да подесите точак за нивелисање ако је нестабилно).

Промена врата лево-десно(опционо)

На основу локације где планирате да користите фрижидер, можда ће вам бити zgodније да промените позицију врата.

ОПРЕЗ

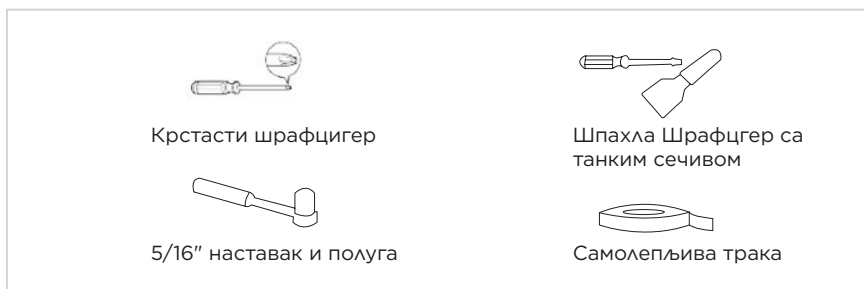
ОПРЕЗ: Да би сте избегли вашу повреду или ваше имовине, препоручујемо да вам неко помаже током промене позиције врата.

Припрема за промену позиције врата.

Биће вам потребно: Стандардни шрафцигер, крстасти шрафцигер и имбус кључ.

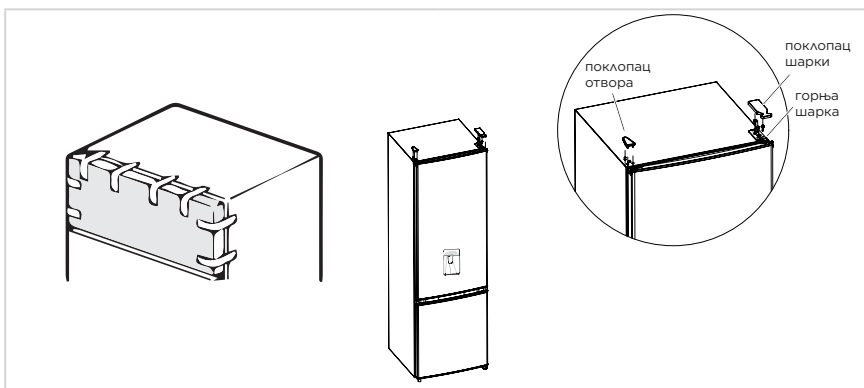
- Обезбедите да је фрижидер искључен и празан.
- Нека вам неко помаже током процеса.
- Сачувајте све делове које уклоните да би сте их поново искористили.

Неопходан алат за промену врата:

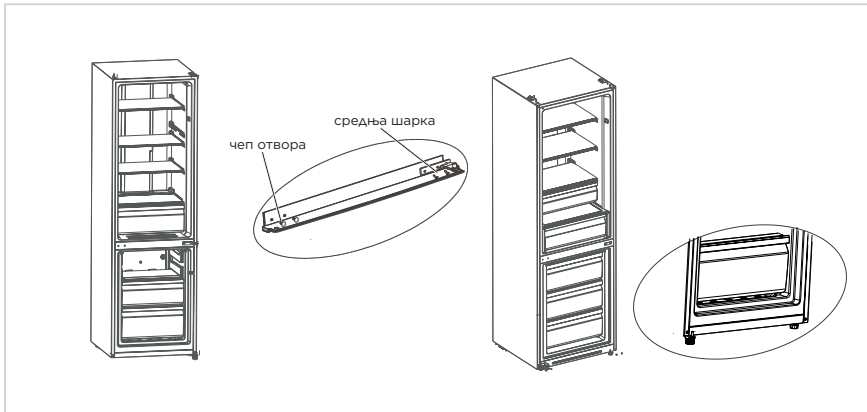


Корак

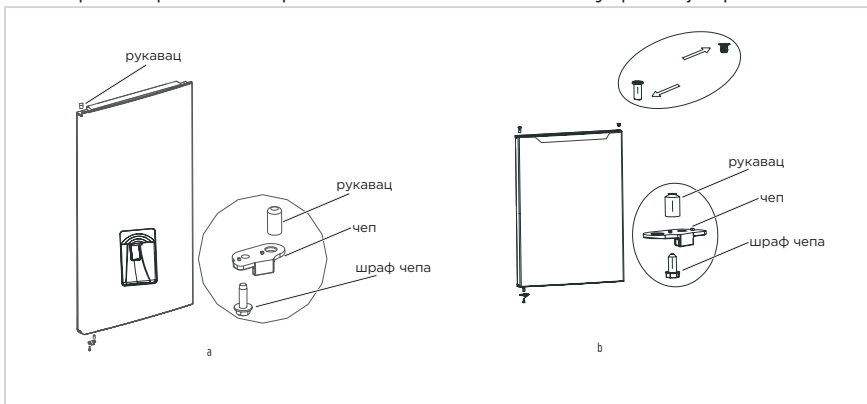
1. Молимо искључите уређај пре почетка операције.
Уклоните сву храну из поставе на вратима. Залепите врата траком.
2. Раставити поклопац отвора, поклопац шарки и горњу шарку.



3. Уклонити врата коморе фрижидера, средњу шарку(користити имбус кључ за уклањање шрафа средње шарке) и поклопац отвора на другој страни.
4. Уклонити врата коморе замрзивача, размонтирати доњу шарку, поклопац отвора, ногаре за нивелисање, и поставити доњу шарку на супротној страни.



5. а) Размонтирати чеп, рукавац врата расхладне коморе, поставити рукавац и чеп у доњем левом делу врата помоћу шрафа.
- б) Размонтирати чеп, рукавац врата замрзивача, поставити рукавац и чеп у доњем левом делу врата помоћу шрафа. Скинути рукавац и поклопце отвора на вратима замрзивача и поставити их на супротној страни.

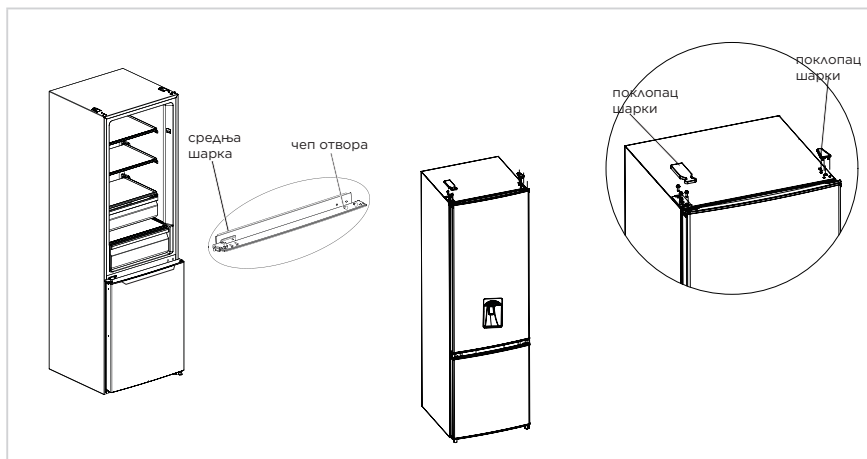


6. Поставити врата замрзивача на доњу шарку, затим поставити средњу шарку и поклопце отвора.
7. Поставити врата расхладне коморе на средњој шарци, затим поставити горњу шарку и поклопац шарке.

SR

8. Поставити брата расхладне коморе на средњој шарци, затим поставити горњу шарку и поклопац шарке.

Следеће се мора потврдити пре постављања поклопца горње шарке. Шрафови који држе шарку морају бити тесно прибијени уз површину шарке, да би се осигурало да шраф није искошен. Након постављања шарки, проверити да ли се тресе.

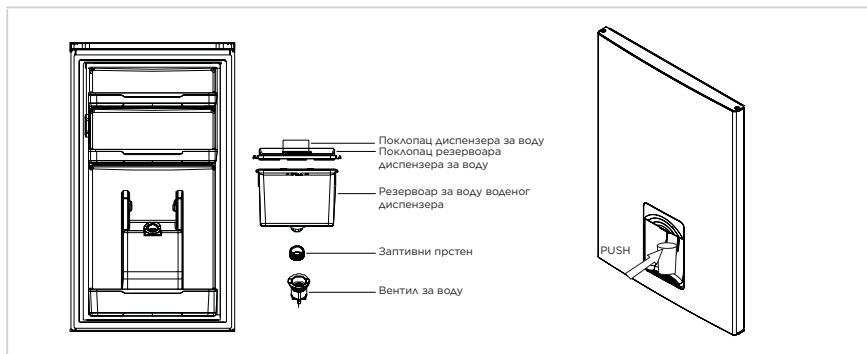


ПАЖЊА

Слика изнад служи само за референцу. Стварна конфигурација зависиће од физичког производа или изјаве дистрибутера.

Коришћење диспензера за воду(опционо)

1. Прво отворити поклопац за улаз воде, напунити водом за пиће до "MAX", обележено као највећа количина воде.
2. Користити чеп да би сте притиснули прекидач, вода ће почети да тече, када се прекидач врати у првобитну позицију, вода престаје да тече.
3. Диспензер за воду може да се користи искључиво за чисту воду, није погодно за пића или воћне сокове.

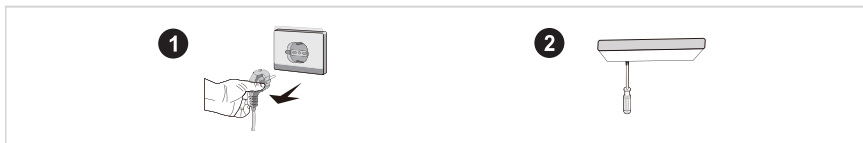


Промена светла

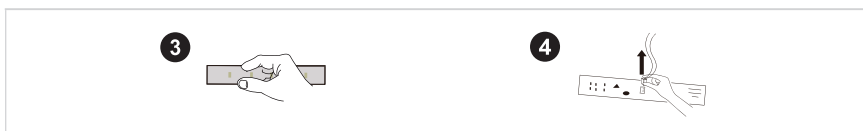
- Било која замена или поправка LED сијалица је намењена искључиво за произвођача, сервисера или квалификована особа. Овај производ садржи извор <F> светлости класе енергетске ефикасности.

Корак

1. Молимо извуците прикључак пре уклањања.
2. Уклоните заклон лампе помоћу шарфигера.



3. Скините панел лампе
4. Уклоните терминал за повезивање.



Повезивање уређаја

Пре првог покретања, држите фрижидер усправно 2 сата пре повезивања на напајање.

● ПАЖЊА

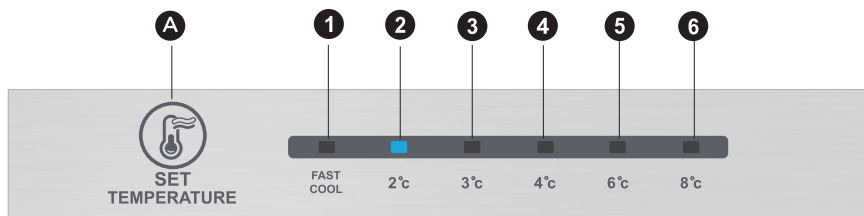
Пре стављања свеже или замрзнуте хране, фрижидер треба да ради барем 2-3 сата, или више од 4 сата током лета када је температура окружења висока.

Савети за уштеду енергије

- Уређај треба бити постављен у најхладнијем делу собе, удаљен од уређаја који производе топлоту или водова за грејање, и склоњен од директне сунчеве светлости.
- Топла храна би требало да се охлади на собној температури пре стављања унутар уређаја. Препуњивање уређаја присиљава компресор да ради дуже. Храна која се замрзава сувише споро може да изгуби квалитет или да се поквари.
- Постарајте се да умотате храну правилно и обришете посуде пре стављања унутар уређаја. Ово смањује нагомилавање мрза унутар уређаја.
- Канта за складиштење уређаја не сме бити пресвучена алуминијумском фолијом, папиром за печење или папирним убрусом. Пресвлаке ометају циркулацију хладног ваздуха, чинећи уређај мање ефикасним.
- Организујте и обележите храну да би сте смањили често отварање врата и продужене претраге. Уклоните што је више могуће потребних предмета одједном и затворите врата што је пре могуће.

УПУТСТВО ЗА РАД

Контролна табла



ПАЖЊА

Слика изнад служи само за референцу. Стварна конфигурација зависиће од физичког производа или изјаве дистрибутера.

Кључ

A Дугме за Аларм/искључивање

Екран за приказивање

- | | |
|----------|-------------------------|
| 1 | Подешавање температуре1 |
| 2 | Подешавање температуре2 |
| 3 | Подешавање температуре3 |
| 4 | Подешавање температуре4 |
| 5 | Подешавање температуре5 |
| 6 | Подешавање температуре6 |

Приказ

Када укључимо фрижидер, екран за приказ(укључујући светло кључа) ће светлети 3 секунде, затим ће фрижидер радити на основу подешавања температуре4.

Приказ норманог рада

У случају квара, одговарајућа LED лампица ће дати комбиновани приказ кода квара(на дисплеју за рециклажу):

Када не постоји квар, LED лампица ће приказивати тренутно подешавање температуре.

ПАЖЊА

Стварна контролна табла може се разликовати од модела до модела.

Упуство за руковање

Подешавање брзине

- Подешавање температуре ће се променити једном сваки пут када притиснете тастер SET. Затим, фрижидер ће радити по вредности новог подешавања након 15 секунди.

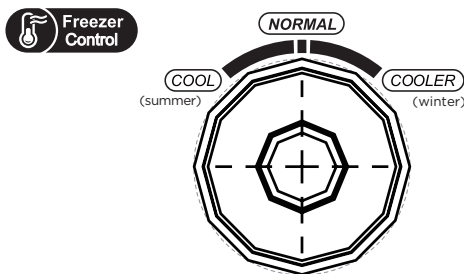
Подешавање 1 → Подешавање 2 → Подешавање 3 → Подешавање 4 →
Подешавање 5 → Подешавање 6 → Подешавање 1 →

Режим Fast cool (брзог хлађења)

- Улаз: Режим rapid cooling (брзог хлађења) са модулацијом циркулације.
- Управљање: Индикатор брзог хлађења се осветљава и фрижидер ради на 2°C.
- Режим Fast cool (брзог хлађења) је аутоматски искључен на 24 сата.
- Функција Fast cool (брзог хлађења) може да се користи као функција Super freezing (Супер замрзавања).

Контрола температуре коморе за замрзавање.

- Температура за замрзавање је знатно нижа у позицији "COOLER (ХЛАДНИЈЕ)", док температура за замрзавање знатно висока у позицији "COOL (ХЛАДНО)", због зоба се позиција "NORMAL (НОРМАЛНО)" обично користи
- Када је околна температура виша током лета, температура би требала бити у распону између "NORMAL (НОРМАЛНО)" до "COOL (ХЛАДНО)". Ако је околна температура виша од 35°C, тада ће преобладати позиција "COOL (ХЛАДНО)".
- Када је околна температура нижа током зиме, температура би требала бити у распону између "NORMAL (НОРМАЛНО)" до "COOLER (ХЛАДНИЈЕ)". Ако је околна температура нижа од 10°C, тада ће преовладати позиција "COOLER (ХЛАДНИЈЕ)".



Код грешке

- Следећа упозорења приказана на екрану означавају одговарајући квар фрижидера.
- Иако фрижидер може и даље имати функцију хлађења и замрзавања са следећим кваровима, корисник ће контактирати стручњака за одржавање ради одржавања, како би се обезбедило нормално коришћење фрижидера.

Код Квара	Опис Квара
LED 1 и LED 2 светле	Коло сензора температуре фрижидера
LED 1 и LED 3 светле	Сензор одмрзавања замрзивача
LED 4 и LED 4 светле	Сензор околне температуре

Комора фрижидера

- Комора фрижидера је погодна за чување разноврсног воћа, поврћа. Пића и друге хране која се користи краткотрајно, препоручено чување је 3 до 5 дана.
- кувана храна не сме бити стављена у комору фрижидера све док се не охлади на собној температури.
- Препоручује се да се храна поклопи пре стављања у фрижидер.
- Стаклене полице могу бити постављене више или ниже, за неопходну количину простора и лако коришћење.

Комора замрзивача

- Ниска температура коморе замрзивача може сачувати свежину хране током дужег периода, и највише се користи за чување замрзнуте хране и прављење леда.
- Комора замрзивача је погодна за чување меса, рибе, ћуфти и друга храна која се не користи у кратком року.
- Комаде меса је пожељно поделити на мале комаде за брзо замрзавање и лак приступ. Имајте на уму да храну треба конзумирати у року назначеном за складиштење.

Серијски Број	ТИП преграде	Циљна темп. [°C]	Одговарајућа храна
1	Фрижидер	+2 - +8	За замрзавање нису погодна јаја, кувана храна, упакована храна, воће и поврће, млечни производи, колачи, пића и друга храна.
2	(***)*-Замрзивач	≤-18	Плодови мора (риба, шкампи, шкољке), слатководни водени производи и месне прерађевине (препоручује се 3 месеца, што је дуже време складиштења, лошији су укус и исхрана), погодни за замрзнуту свежу храну.
3	***-Замрзивач	≤-18	Плодови мора (риба, шкампи, шкољке), слатководни водени производи и месне прерађевине (препоручује се 3 месеца, што је дуже време складиштења, лошији су укус и исхрана), погодни за замрзнуту свежу храну.
4	** -Замрзивач	≤-12	Плодови мора (риба, шкампи, шкољке), слатководни водени производи и месне прерађевине (препоручује се 3 месеца, што је дуже време складиштења, лошији су укус и исхрана), погодни за замрзнуту свежу храну.
5	*-Замрзивач	≤-6	Плодови мора (риба, шкампи, шкољке), слатководни водени производи и месне прерађевине (препоручује се 3 месеца, што је дуже време складиштења, лошији су укус и исхрана), погодни за замрзнуту свежу храну.
6	О-стар	-6-0	Свежа свињетина, говедина, риба, пилетина, нека упакована прерађена храна итд. (Препоручује се да се једе у току истог дана, по могућности не дуже од 3 дана). Делимично инкапсулирана прерађена храна (храна која се не може замрзавати).
7	Хлађење	-2 - +3	Свеже/смрзнуто свињетина, говедина, пилетина, слатководни водени производи, итд. (7 дана испод 0°Ц и изнад 0°Ц се препоручује за конзумацију у току тог дана, пожељно не дуже од 2 дана). Морски плодови (мање од 0 за 15 дана, не препоручује се складиштење изнад 0°Ц).
8	Свежа храна	0 - +4	Свежа свињетина, говедина, риба, пилетина, кувана храна итд. (Препоручује се да се једе у току истог дана, пожељно не дуже од 3 дана)
9	Вино	+5 - +20	Црвено вино, бело вино, пенушаво вино итд.

ПАЖЊА

чувајте различите намирнице у складу са одељцима или циљном температуром складиштења коју сте купили.

ЧИШЋЕЊЕ И ОДРЖАВАЊЕ

Свеукупно чишћење

- Прашина иза фриџидера и на тлу би се требало благовремено очистити како би се побољшао ефекат хлађења и уштеда енергије.
- Редовно проверавајте заптивку врата да бисте били сигурни да нема остатака. Очистите заптивку врата меком крпом навлаженом водом са сапуном или разблаженим детерџентом.
- Унутрашњост фриџидера треба редовно чистити како би се избегли мириси.
- Искључите напајање пре чишћења унутрашњости, уклоните сву храну, пиће, полице, фиоке итд.
- Унутрашњост фриџидера очистите меком крпом или сунђером, са две кашике соде бикарбоне и литром топле воде. Затим исперите водом и обришите. Након чишћења, отворите врата и пустите да се природно осуше пре него што укључите напајање.
- За подручја која се тешко чисте у фриџидеру (као што су уски сендвичи, празнине или углови), препоручује се редовно брисање меком крпом, меком четком и сл., а када је потребно, у комбинацији са неким помоћним алатима (нпр. танки штапићи) како би се осигурало да у овим областима нема акумулације загађивача или бактерија.
- Немојте користити сапун, детерџент, прашак за рибање, средство за чишћење у спреју итд., јер они могу изазвати мирисе у унутрашњости фриџидера или контаминирати храну.
- Носач флаша, полице и фиоке очистите меком крпом навлаженом сапуном или разблаженим детерџентом. Осушите меком крпом или осушите природним путем.
- Обришите спољну површину фриџидера меком крпом навлаженом водом са сапуном, детерџентом итд., а затим обришите сувом.
- Немојте користити чврсте четке, чисте челичне куглице, жичане четке, абразивна средства (као што су пасте за зубе), органске раствараче (као што су алкохол, ацетон, уље банане, итд.), кључалу воду, киселе или алкалне предмете, који могу оштетити површину фриџидера и ентеријер. Кипућа вода и органски растварачи као што је бензол могу деформисати или оштетити пластичне делове.
- Немојте испирати директно водом или другим течностима током чишћења да бисте избегли кратке спојеве или утицали на електричну изолацију након потапања

ПАЖЊА

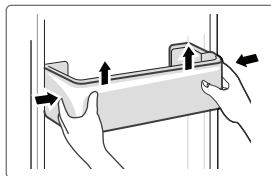
Искључите фриџидер ради одмрзавања и чишћења.

Одмрзавање

- Фриџидер је направљен по принципу ваздушног хлађења и самим тим има функцију аутоматског одмрзавања. Мраз настао услед промене годишњег доба или температуре може се уклонити и ручно искључивањем уређаја са напајања или брисањем сувим пешкиром.

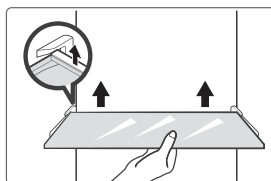
Чишћење носача врата

- Према стрелици смера на доњој слици, обема рукама стисните тацну и гурните је нагоре, а затим је можете извадити.
- Након што је тацна извађена, можете подесити њену висину уградње у складу са вашим потребама.



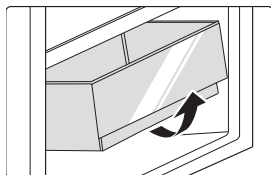
Чишћење стаклене полице

- Пошто унутрашњи део облоге фрижидера где је у контакту са полицама има заштитни граничник, подићи ћете полице нагоре, а затим можете да је извадите.
- Подесите или очистите полице према вашим захтевима.



Чишћење фиоке за поврће

1. Уклоните садржај фиоке. Држите ручку фиоке за поврће и извучите је до краја док се не заустави.
2. Подигните фиоку за поврће и уклоните је извлачењем.



Ван рада

Нестанка струје:

Чак и током лета, храна унутар уређаја може да се чува неколико сати у случају нестанка струје; међутим, за то време, отвори врата треба да буду сведени на минимум и не треба додавати свежу храну.

Дуготрајно некоришћење:

Након чишћења, уређај мора бити искључен из струје, а врата морају бити отворена како би се спречио мирис.

Померање:

Пре премештања фрижидера, извадите све предмете напољу, фиксирајте стаклене преграде, држач за поврће, фиоке коморе за замрзавање итд. траком и затегните ножице за нивелисање; затворите врата и учврстите их траком. Апарат се сме померати само под углом од највише 45 степени, никако хоризонтално или наопако, и никада не вибрирати.

● ПАЖЊА

Једном када је уређај укључен, мора радити непрекидно. Уопштено, рад уређаја не сме да се прекида; у супротном може доћи до смањења века трајања.

РЕШАВАЊЕ ПРОБЛЕМА

Корисник може да реши следеће једноставне проблеме. Позовите сервисну службу ако проблеми нису решени.

Проблем	Могући разлог
Неуспела операција	Проверите да ли је уређај прикључен на напајање или је утикач добро у контакту
	• Проверите да ли је напон превише низак.
	• Проверите да ли је дошло до нестанка струје или да ли су осигурачи искључени.
Мирис	• Храна са мирисом мора бити чврсто умотана
	• Проверите да ли има труле хране
	• Очистите унутрашњост фрижидера
Дуготрајан рад компресора	• Дуги рад фрижидера је нормалан током лета
	• када је температура околине висока, није препоручљиво имати превише хране у уређају у исто време
	• Храна мора да се охлади пре него што се стави у уређај
Светлост не успева да се упали	• Проверите да ли је фрижидер прикључен на напајање и да ли је осветљено светло оштећено
	• Нека вам светло замени специјалиста.
	• Врата се пречесто отварају
Врата се не могу правилно затворити	• Врата су заглављена пакетима хране Стављено је превише хране
	• Фрижидер је нагнут.
Гласни шумови	• Проверите да ли је под раван и да ли је фрижидер стабилно постављен
	• Проверите да ли је прибор постављен на одговарајућа места

Проблем	Могући разлог
Заптивка на вратима није чврста	<ul style="list-style-type: none"> Уклоните стране материје са заптивке врата Загрејте заптивку врата, а затим је охладите за рестаурацију (или је издувајте електричним сушачем или користите врући пешкир за загревање)
Посуда за воду се прелива	<ul style="list-style-type: none"> У комори је превише хране или храна садржи превише воде, што доводи до јаког одмрзавања Врата нису добро затворена, што доводи до смрзавања услед уласка ваздуха и повећане количине воде услед одмрзавања
Топло становање	<ul style="list-style-type: none"> Одвођење топлоте уграђеног кондензатора преко кућишта, што је нормално. Када се кућиште загреје због високе температуре околине, складиштења превише хране или искључивања компресора, обезбедите звучну вентилацију како бисте олакшали одвођење топлоте
Површинска кондензација	<ul style="list-style-type: none"> Кондензација на спољашњој површини и заптивкама на вратима фрижидера је нормална када је влажност околине превисока. Само обришите кондензат чистим пешкиром.
Абнормална бука	<ul style="list-style-type: none"> Зујање: Компресор може производити зујање током рада, а зујање је гласно, посебно при покретању или заустављању. То је нормално. Шкрипање: Расхладно средство које тече унутар уређаја може изазвати шкрипу, што је нормално.

ДОДАТАК

Специјално за нови европски стандард

Наручени делови у следећој табели могу се набавити преко канала сервис провајдера

Наручени део	Обезбеђује	Минимално време потребно за Обезбеђивање
Термостати	Професионално особље за одржавање	Најмање 7 година након што је последњи модел лансиран на тржиште
Сензори температуре	Професионално особље за одржавање	Најмање 7 година након што је последњи модел лансиран на тржиште
Штампане плоче	Професионално особље за одржавање	Најмање 7 година након што је последњи модел лансиран на тржиште
Извори светлости	Професионално особље за одржавање	Најмање 7 година након што је последњи модел лансиран на тржиште
Кваке	Професионални сервисери и крајњи корисници	Најмање 7 година након што је последњи модел лансиран на тржиште
Шарке за врата	Професионални сервисери и крајњи корисници	Најмање 7 година након што је последњи модел лансиран на тржиште
Тацне	Професионални сервисери и крајњи корисници	Најмање 7 година након што је последњи модел лансиран на тржиште
Корпе	Професионални сервисери и крајњи корисници	Најмање 7 година након што је последњи модел лансиран на тржиште
Заптивке за врата	Професионални сервисери и крајњи корисници	Најмање 10 година након што је последњи модел лансиран на тржиште

Драгом купцу:

1. Ако желите да вратите или замените производ, обратите се продавници у којој купујете.

(Не заборавите да понесете рачун за куповину)

2. Ако се ваш производ поквари и треба да се поправи, обратите се добављачу услуга након продаје.

ПАЖЊА

Информације о моделу у бази података производа, као и идентификатор модела, могу се добити преко веб везе скениране QR кодом, ако постоји, на етикети енергетске ефикасности производа.

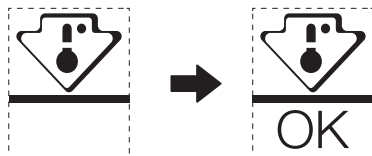
За више информација о енергетској ефикасности уређаја, посетите <https://ec.europa.eu> и претражите користећи назив модела.

Назив модела се може наћи на етикети уређаја.

Најхладнија зона у фрижидеру

ОПЦИОНО: ОК-индикатор температуре

- Индикатор температуре ОК се може користити за одређивање температура испод +4°C. Постепено смањите температуру ако знак не показује „ОК“.



- Да бисте обезбедили температуру у овој области, немојте мењати положај полице. Фрижидери са појачаним ваздухом (опремљени вентилатором или модели Без замрзавања), симбол најхладније зоне није представљен јер је температура унутра хомогена.

Подешавање индикатора температуре

- Да би вам помогло да добро поставите фрижидер, опремљен је индикатором температуре који ће пратити просечну температуру у најхладнијој зони.
- УПОЗОРЕЊЕ: Овај индикатор је намењен за рад само са вашим фрижидером, немојте га користити у другом фрижидеру (у ствари, најхладнија зона није иста) или за било коју другу употребу.

Провера температуре у најхладнијој зони

- Помоћу индикатора температуре можете редовно проверавати да ли је температура најхладније зоне тачна. Заиста, унутрашња температура фрижидера зависи од неколико фактора као што су температура околине у просторији, количина ускладиштене хране и учесталост отварања врата. Узмите ове факторе у обзир приликом подешавања уређаја.
- Када индикатор покаже «ОК», то значи да је ваш термостат добро подешен и да је унутрашња температура исправна.
- Ако индикатор температуре постане БЕО, то значи да је температура превисока; у овом случају, повећајте поставку за контролу температуре фрижидера и сачекајте 12 сати пре него што извршите нову визуелну инспекцију индикатора. Када се унесе свежа храна или врата оставе отворена, могуће је да индикатор температуре после неког времена постане БЕО.

PISMO ZAHVALNOSTI

Hvala što ste odabrali Midea! Prije korištenja vašeg novog Midea proizvoda, molimo vas da pažljivo pročitate ovaj priručnik kako biste bili sigurni da znate kako na siguran način rukovati značajkama i funkcijama koje ima vaš novi uređaj.

SADRŽAJ

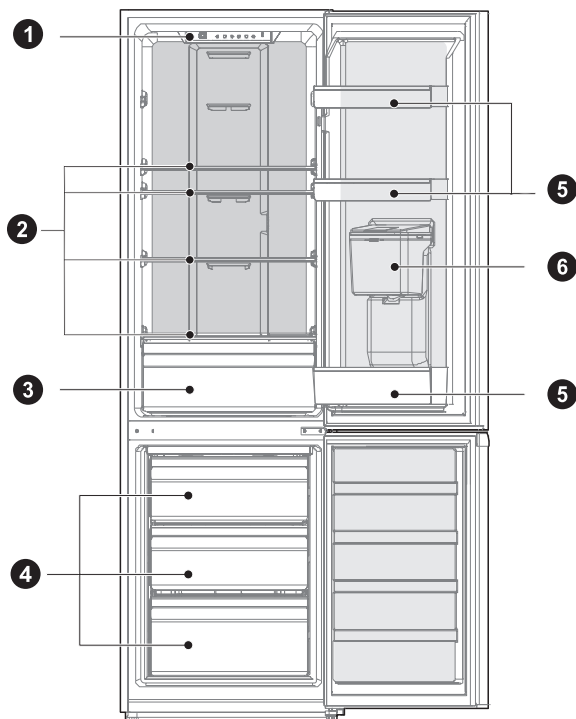
PISMO ZAHVALNOSTI	01
TEHNIČKI PODACI	02
PREGLED PROIZVODA	03
POSTAVLJANJE PROIZVODA	04
UPUTE ZA RAD	11
ČIŠĆENJE I ODRŽAVANJE	15
RJEŠAVANJE PROBLEMA	17
DODATAK	19

TEHNIČKI PODACI

Model proizvoda	MDRB380FGE SERIES
Zapremina Odjeljka za Čuvanje Svježih Namirnica	199L
Zapremina Odjeljka za Čuvanje Zamrznutih Namirnica	71L
Način Odmrzavanja	Automatsko odmrzavanje
Vrijeme Trajanja Porasta Temperature	7h
Kapacitet Zamrzavanja	3,5kg/24h
Procijenjeni Napon	220-240V-
Nazivni Napon	0,6A
Ukupne Dimenzije (V x Š x D)	1800x545x625mm

PREGLED PROIZVODA

Nazivi komponenti



HR

- | | | | |
|---|-------------------------|---|---------------------------|
| 1 | LED svjetlost | 4 | Ladica |
| 2 | Polica | 5 | Ladica za Vrata |
| 3 | Kutija za voće i povrće | 6 | Dozator vode (opcionalno) |

PAŽNJA

Gornja slika služi samo za orijentaciju. Stvaran izgled ovisi o fizičkom proizvodu ili izjavi distributera.

POSTAVLJANJE PROIZVODA

Upute za Instalaciju

Za uređaje za hlađenje s klimatskom klasom

- Ovisno o klimatskoj klasi, ovaj rashladni uređaj namijenjen je za korištenje u rasponu temperatura okoline kako je navedeno u sljedećoj tablici.
- Klimatska klasa se nalazi na tipskoj pločici. Proizvod možda neće ispravno raditi na temperaturama izvan navedenog raspona.
- Klimatsku klasu možete pronaći na etiketi proizvoda.

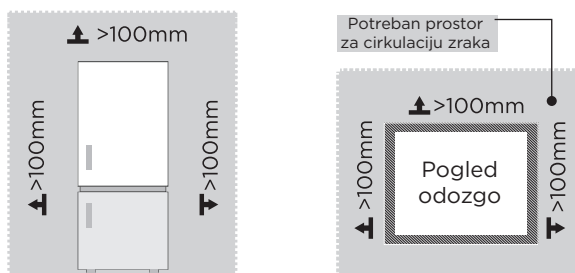
Učinkovit raspon temperature

- Proizvod je dizajniran za normalan rad u temperaturnom rasponu određenom njegovom oznakom klase.

Razred	Simbol	Raspon temperature okoliša °C	
		IEC 62552 (ISO 15502)	ISO 8561
Umjeren u širem pojasu	SN	+ 10 do + 32	+ 10 do + 32
Umjeren	N	+ 16 do + 32	+ 16 do + 32
Suptropski	ST	+ 16 do + 38	+ 18 do + 38
Tropski	T	+ 16 do + 43	+ 18 do + 43

Dimenzije i Razmaci

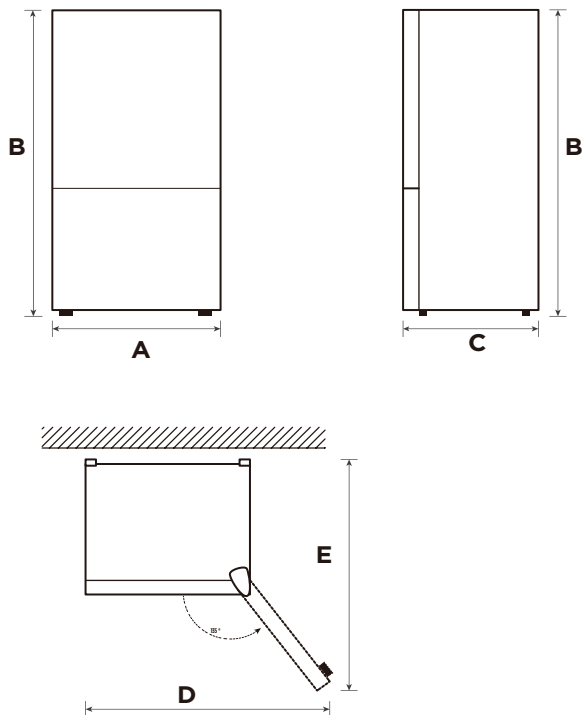
- Premala udaljenost od susjednih predmeta može dovesti do degradacije sposobnosti zamrzavanja i povećanja troškova električne energije. Prilikom postavljanja uređaja ostavite više od 100 mm slobodnog prostora od svakog susjednog zida.



● PAŽNJA

Gornja slika služi samo za orijentaciju. Stvaran izgled ovisi o fizičkom proizvodu ili izjavi distributera.

Dijagram potrebnog prostora (kada su vrata otvorena i kada su vrata zatvorena)



Širina	Ukupna visina	Dubina	Širina otvorenih vrata 135°	Dubina otvorenih vrata 135°
A	B	C	D	E
545	1800	625	820	1070

Napomena: Sve dimenzije u mm



Noge za izravnavanje

Kako biste izbjegli vibracije, uređaj mora biti niveliran.

Ako je potrebno, podesite vijke za izravnavanje kako biste kompenzirali neravnine poda.

Prednja strana treba biti malo viša od stražnje kako bi se pomoglo pri zatvaranju vrata.

Vijci za niveliranje mogu se lako okrenuti laganim naginjanjem kućišta.

Okrenite vijke za niveliranje u smjeru suprotnom od kazaljke na satu  za podizanje jedinice, u smjeru kazaljke na satu  za spuštanje.

Premještanje aparata

1. Prije premještanja hladnjaka izvadite sve predmete iznutra, izvucite utikač iz utičnice.
2. Pričvrstite staklene pregrade, držač za povrće, ladice komore za zamrzavanje i sl. trakom i zategnite nožice za izravnavanje; zatvorite vrata i zalijepite ih trakom.
3. Pažljivo premještajte uređaj s više od dvije osobe. Tijekom pomicanja, uređaj ne smije biti pretjerano položen naopako ili vodoravno, ili vibrirati; nagib tijekom pomicanja ne smije biti veći od 45°.
4. Nakon postavljanja uređaja, uključite utikač u utičnicu kako biste uključili uređaj.

PAŽNJA

Mjere opreza prije operacije:

Prije izmjena hladnjak mora biti isključen iz struje.

Potrebno je poduzeti mjere opreza kako bi se spriječile bilo kakve osobne ozljede.

Postavljanje

- Prije uporabe uklonite sav materijal za pakiranje, uključujući donje jastuke, pjenaste jastučice i trake unutar hladnjaka; skinite zaštitnu foliju na vratima i kućištu hladnjaka.
- Držite podalje od topline i izbjegavajte izravnu sunčevu svjetlost. Zamrzivač nemojte stavljati na vlažna ili vodenasto mjesta kako biste spriječili hrđu ili smanjenje izolacijskog učinka.
- Nemojte prskati ili prati hladnjak; nemojte stavljati hladnjak na vlažna mjesta koja se lako mogu poprskati vodom kako ne biste utjecali na svojstva električne izolacije hladnjaka.
- Hladnjak mora biti u zatvorenom prostoru s dobrom ventilacijom, na ravnoj i čvrstoj površini (rotirajte ulijevo ili udesno za podešavanje kotačića za izravnavanje ako je nestabilan).

Promjena smjera otvaranja vrata desno-lijevo (opcionalno)

Ovisno o mjestu na kojem planirate koristiti hladnjak, možda će vam biti prikladnije promijeniti položaj vrata.

OPREZ

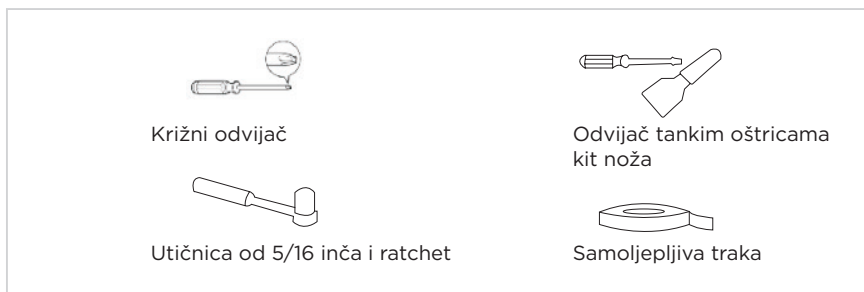
OPREZ: Kako biste izbjegli osobne ozljede ili oštećenja imovine, preporučujemo da vam netko pomogne tijekom procesa promjene smjera otvaranja vrata.

Priprema za promjenu položaja vrata

Trebat će vam: Standardni odvijač, križni odvijač i priloženi imbus ključ.

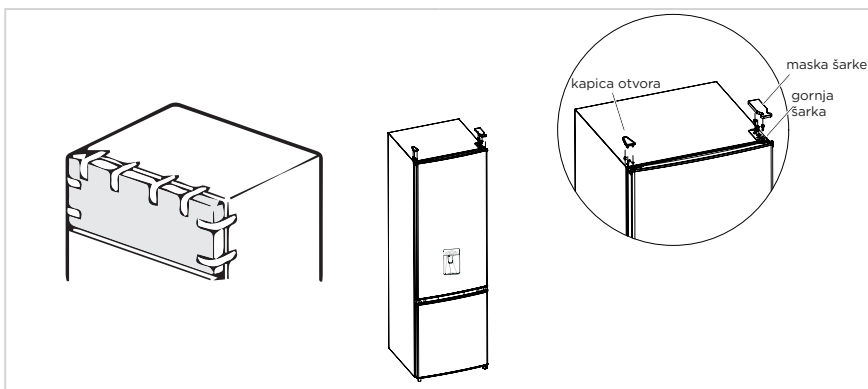
- Provjerite je li vaš hladnjak isključen i prazan.
- Neka vam netko pomogne u procesu.
- Sačuvajte sve dijelove koje ste uklonili kako biste ih kasnije ponovno upotrijebili.

Alat potreban za promjenu smjera otvaranja vrata:

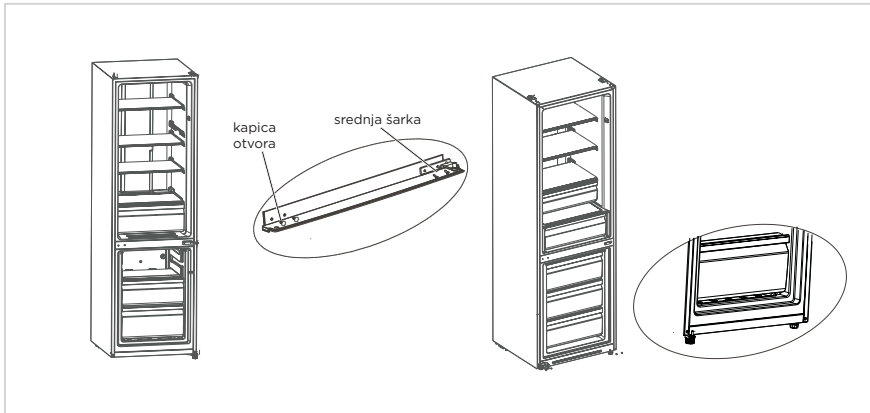


Korak

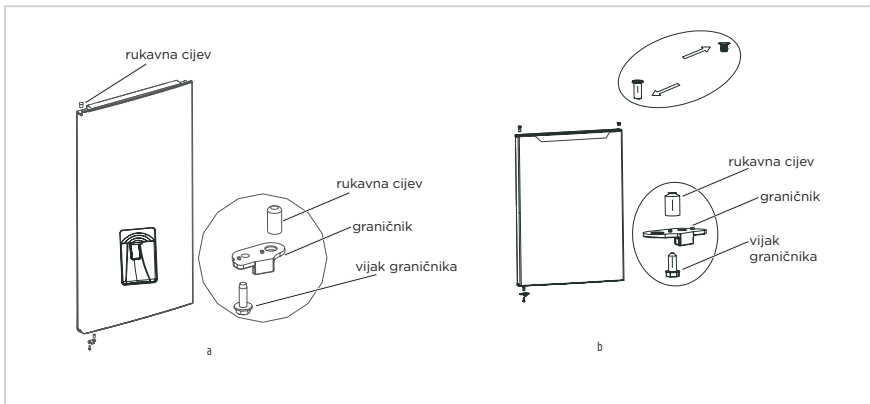
1. Prije provođenja ovog rada isključite uređaj.
Uklonite svu hranu s unutarne obloge vrata. Zalijepite vrata trakom.
2. Rastavite poklopac otvora, poklopac šarke i gornju šarku.



3. Skinite vrata rashladne komore, srednju šarku (koristite imbus ključ da uklonite vijak srednje šarke) i poklopac rupe na drugoj strani.
4. Skinite vrata komore za zamrzavanje, rastavite donju šarku, poklopce rupa, podnožje za izravnavanje, postavite donju šarku na drugu stranu.



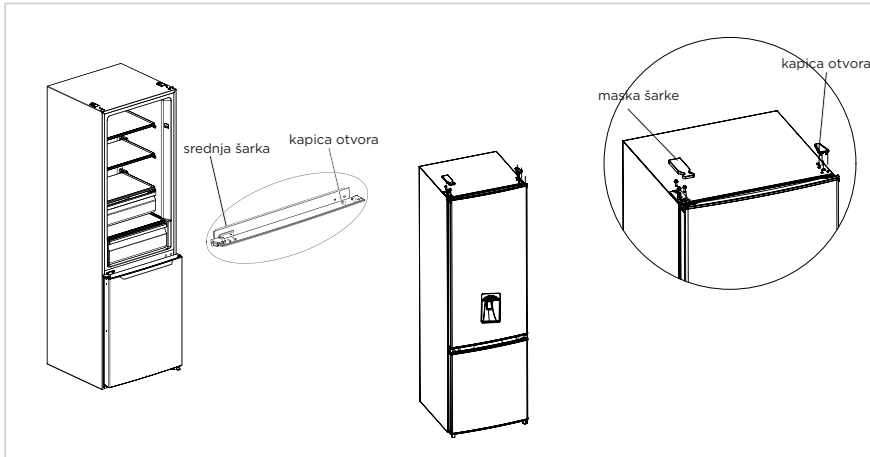
5. a) Demontirajte čep, rukavnu cijev vrata rashladne komore. Vijkom sastavite rukavnu cijev i čep na donjem lijevom dijelu vrata.
b) Rastavite čep i naglavnu cijev s desne strane vrata komore za zamrzavanje, sastavite naglavnu cijev i čep na donjem lijevom dijelu vrata pomoću vijka. Skinite rukavnu cijev i graničnike otvora na vratima komore za zamrzavanje i montirajte ih na drugu stranu.



6. Stavite vrata za zamrzavanje na donju šarku i ugradite srednju šarku, kapice rupa.
7. Stavite vrata rashladne komore na srednju šarku i postavite gornju šarku, poklopac šarke.

8. Stavite vrata rashladne komore na srednju šarku i postavite gornju šarku, poklopac šarke.

Sljedeće se mora provjeriti prije postavljanja poklopca gornje šarke. Vijci koji drže šarku trebaju biti čvrsto pritisnuti na površinu šarke kako bi se osiguralo da se vijak ne skrene. Nakon što je šarka postavljena, provjerite da nema podrhtavanja.

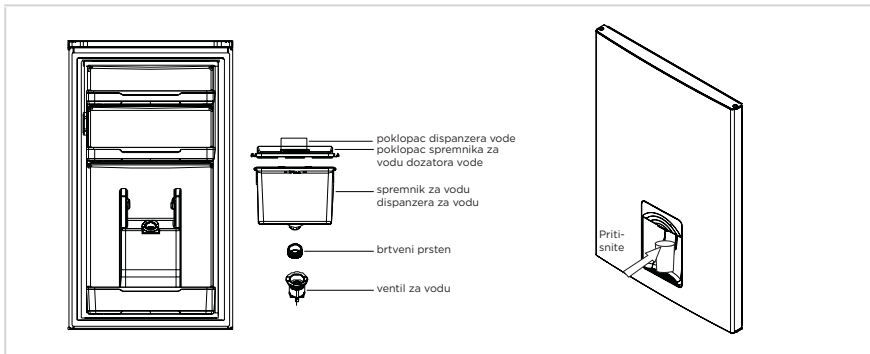


PAŽNJA

Gornja slika služi samo za orijentaciju. Stvaran izgled ovisi o fizičkom proizvodu ili izjavi distributera.

Upotreba dispanzera za vodu (opcionalno)

1. Prvo otvorite poklopac ulaza za vodu, napunite pitkom vodom do "MAKS" označenog kao najveća količina vode.
2. Koristite čašicu da gurnete okidač prema unutra, voda će istjecati, kada se okidač vrati u prvobitni položaj, voda prestaje.
3. Dozator za vodu može se koristiti samo za čistu vodu, nije prikladan za napitke ili voćne sokove.



Mijenjanje svjetla

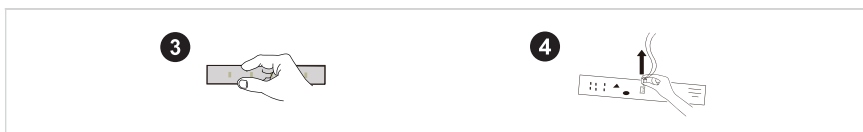
- Bilo koju zamjenu ili održavanje LED žarulja trebao bi izvršiti proizvođač, njegov servis ili slična kvalificirana osoba. Ovaj proizvod sadrži izvor svjetlosti razreda <F> energetske učinkovitosti.

Korak

1. Izvadite utikač prije uklanjanja.
2. Uklonite svjetiljku odvijačem.



3. Uklonite ploču žarulje.
4. Uklonite priključni terminal.



Spajanje aparata

Prije početka, držite hladnjak još dva sata prije priključivanja na napajanje.

● PAŽNJA

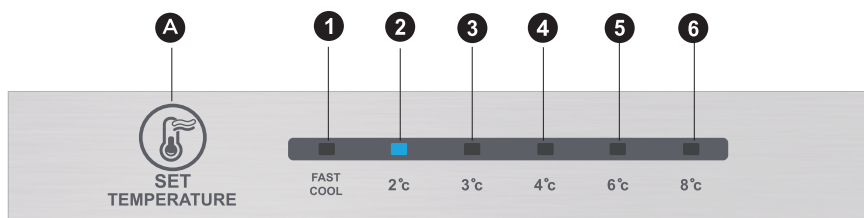
Prije stavljanja bilo kakve svježe ili zamrznute hrane, hladnjak mora raditi 2-3 sata, ili više od 4 sata ljeti kada je temperatura okoline visoka.

Savjeti za uštedu energije

- Aparat bi trebao biti smješten u najhladnijem dijelu prostorije, dalje od uređaja koji proizvode toplinu ili grijaćih kanala i izvan izravne sunčeve svjetlosti.
- Neka se topla hrana ohladi na sobnu temperaturu prije stavljanja u uređaj. Preopterećenje uređaja prisiljava kompresor da radi duže. Namirnice koje se smrzavaju presporo može izgubiti kvalitetu, ili pokvariti.
- Obavezno pravilno zamotajte hranu i obrišite posude prije nego ih stavite u uređaj. Time se smanjuje nakupljanje leda unutar uređaja.
- Posuda za pohranjivanje u uređaju ne smije biti obložena aluminijskom folijom, voštanim papirom ili papirnatim ručnicima. Obloge ometaju cirkulaciju hladnog zraka, što uređaj čini manje učinkovitim.
- Organizirajte i označite hranu kako biste smanjili otvaranje vrata i duže pretrage. Uklonite što više stavki koliko je potrebno u jednom trenutku i zatvorite vrata što je prije moguće.

UPUTE ZA RAD

Upravljačka ploča



● PAŽNJA

Gornja slika služi samo za orijentaciju. Stvarna konfiguracija ovisit će o fizičkom proizvodu ili izjavi distributera.

Ključ

A Tipka za alarm/power off/power (Alarm/isključivanje/uključivanje)

Zaslon za prikaz

1	postavka temperature 1
2	postavka temperature 2
3	postavka temperature 3
4	postavka temperature 4
5	postavka temperature 5
6	postavka temperature 6

HR

Zaslon

Kada uključite hladnjak, zaslon (uključujući svjetlo tipke) će najjače svijetliti 3 sekunde, a zatim hladnjak radi prema postavci temperature 4.

Prikaz normalnog rada

U slučaju kvara, odgovarajuća LED lampica dat će kombinirani prikaz koda kvara (u prikazu recikliranja);

Gdje nema greške, LED svjetlo će prikazati postojeću postavku temperature.

● PAŽNJA

Stvarna upravljačka ploča može se razlikovati od modela do modela.

Upute za upotrebu

Postavljanje zupčanika

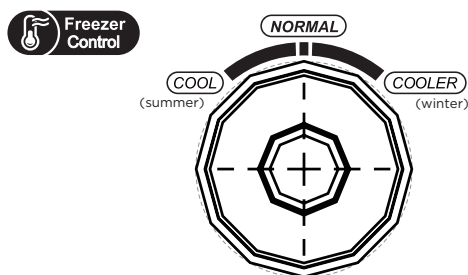
- Postavka temperature će se promijeniti jednom svaki put kada pritisnete tipku SET (POSTAVI). Tada će hladnjak raditi pod novom postavkom nakon 15 sekundi. Postavka 1 → Postavka 2 → Postavka 3 → Postavka 4 → Postavka 5 → Postavka 6 → Postavka 1 →

Način Fast cool (Brzog hlađenja):

- Unesi: Način rapid cooling (brzog hlađenja) cirkulacijske modulacije.
- Upravljajte: Indikator brzog hlađenja pali se, a hladnjak radi na 2°C.
- Način Fast cool (Brzog hlađenja) automatski je onemogućen na 24 sata.
- Funkcija Fast cool (Brzog hlađenja) može se koristiti kao funkcija Super freezing (super zamrzavanja).

Kontrola temperature komore za zamrzavanje

- Temperatura smrzavanja je relativno niska u položaju "COOLER" (HLADNIJE), dok je temperatura smrzavanja relativno visoka u položaju "COOL" (HLADNO), stoga se općenito koristi položaj "NORMAL" (NORMALNO).
- Kada je temperatura okoline ljeti visoka, temperatura mora biti u rasponu od "NORMAL" (NORMALNO) do "COOL" (HLADNO). Ako je temperatura okoline iznad 35°C, tada će prevladati položaj "COOL" (HLADNO).
- Kada je temperatura okoline zimi niska, temperatura mora biti u rasponu od "NORMAL" (NORMALNO) do "COOLER" (HLADNIJE). Ako je temperatura okoline ispod 10°C, tada će prevladati položaj "COOLER" (HLADNIJE).



Šifre pogreške

- Sljedeća upozorenja koja se pojavljuju na zaslonu označavaju odgovarajuće kvarove hladnjaka.
- Iako hladnjak još uvijek može imati funkciju hlađenja i zamrzavanja sa sljedećim kvarovima, korisnik će kontaktirati stručnjaka za održavanje radi održavanja, kako bi se osigurala normalna uporaba hladnjaka.

Šifra Kvara	Opis Kvara
LED 1 i LED 2 svijetle	Krug senzora temperature hladnjaka
LED 1 i LED 3 svijetle	Senzor za odleđivanje zamrzivača
LED 4 i LED 4 svijetle	Senzor temperature okoline

Rashladna komora

- Rashladna komora je prikladna za skladištenje raznovrsnog voća, povrća, pića i druge hrane koja se konzumira u kratkom roku, preporučeno vrijeme skladištenja 3 do 5 dana.
- Skuhana hrana ne smije se stavljati u rashladnu komoru dok se ne ohladi na sobnu temperaturu.
- Preporuča se da se hrana zatvori prije stavljanja u hladnjak.
- Staklene police mogu se podesiti gore ili dolje za razumnu količinu prostora za pohranu i jednostavnu upotrebu.

Komora za zamrzavanje

- Komora za zamrzavanje na niskim temperaturama može dugo zadržati svježinu hrane i uglavnom se koristi za pohranjivanje smrznute hrane i izradu leda.
- Komora za zamrzavanje prikladna je za skladištenje mesa, ribe, rižinih okruglica i drugih namirnica koje se neće konzumirati u kratkom roku.
- Komade mesa poželjno je podijeliti na male komade radi brzog zamrzavanja i lakšeg pristupa. Molimo, imajte na znanje da se hrana konzumira unutar roka za policu.

Br.	Pretinci TIP	Ciljna temperatura pohrane [°C]	Prikladna hrana
1	Hladnjak	+2 - +8	Jaja, kuhana hrana, pakirana hrana, voće i povrće, mliječni proizvodi, kolači, pića i druga hrana nisu prikladni za zamrzavanje.
2	(***)*-Zamrzivač	≤-18	Morski plodovi (riba, škampi, školjke), proizvodi iz slatkovodnih voda i mesni proizvodi (preporučeno 3 mjeseca, što je duže vrijeme skladištenja, to je lošiji okus i nutritivna vrijednost), prikladno za smrznutu svježiju hranu.
3	***-Zamrzivač	≤-18	Morski plodovi (riba, škampi, školjke), proizvodi iz slatkovodnih voda i mesni proizvodi (preporučeno 3 mjeseca, što je duže vrijeme skladištenja, to je lošiji okus i nutritivna vrijednost), prikladno za smrznutu svježiju hranu.
4	** -Zamrzivač	≤-12	Morski plodovi (riba, škampi, školjke), proizvodi iz slatkovodnih voda i mesni proizvodi (preporučeno 3 mjeseca, što je duže vrijeme skladištenja, to je lošiji okus i nutritivna vrijednost), prikladno za smrznutu svježiju hranu.
5	*-Zamrzivač	≤-6	Morski plodovi (riba, škampi, školjke), proizvodi iz slatkovodnih voda i mesni proizvodi (preporučeno 3 mjeseca, što je duže vrijeme skladištenja, to je lošiji okus i nutritivna vrijednost), prikladno za smrznutu svježiju hranu.
6	O-zvijezda	-6 - 0	Svježa svinjetina, govedina, riba, piletina, određena zapakirana prerađena hrana, itd. (Preporučuje se pojesti unutar istog dana, po mogućnosti ne duže od 3 dana). Djelomično inkapsulirana prerađena hrana (hrana koja se ne može zamrzavati).
7	Hlađenje	-2 - +3	Svježa/smrznuta svinjetina, govedina, piletina, proizvodi iz slatkovodnih voda, itd. (7 dana ispod 0°C i iznad 0°C preporučuje se konzumacija unutar tog dana, po mogućnosti ne više od 2 dana). Plodovi mora (manje od 0 za 15 dana, ne preporučuje se čuvanje iznad 0°C).
8	Svježa hrana	0 - +4	Svježa svinjetina, govedina, riba, piletina, kuhana hrana, itd. (preporučuje se pojesti unutar istog dana, po mogućnosti ne duže od 3 dana)
9	Vino	+5 - +20	Crno vino, bijelo vino, pjenušac itd.

PAŽNJA

Pohranite različite namirnice u skladu s odjeljcima ili ciljanom temperaturom skladištenja kupljene hrane.

ČIŠĆENJE I ODRŽAVANJE

Generalno čišćenje

- Prašina iza hladnjaka i na tlu mora se pravovremeno očistiti kako bi se poboljšao učinak hlađenja i ušteda energije.
- Redovito provjeravajte brtvu na vratima kako biste bili sigurni da nema nečistoća. Brtvu vrata očistite mekom krpom navlaženom sapunicom ili razrijeđenim deterdžentom.
- Unutrašnjost hladnjaka treba redovito čistiti kako biste izbjegli neugodne mirise.
- Molimo isključite struju prije čišćenja unutrašnjosti, uklonite svu hranu, piće, police, ladice itd.
- Za čišćenje unutrašnjosti hladnjaka koristite mekanu krpu ili spužvu s dvije žlice sode bikarbone i litrom tople vode. Zatim isperite vodom i obrišite. Nakon čišćenja otvorite vrata i pustite da se prirodno osuše prije uključivanja napajanja.
- Za područja koja se teško čiste u hladnjaku (kao što su uski prostori, praznine ili uglovi), preporuča se redovito brisati mekom krpom, mekom četkom itd., a po potrebi i u kombinaciji s nekim pomoćnim alatom (npr. kao tanke štapiće) kako bi se spriječilo nakupljanje kontaminanata ili bakterija u tim područjima.
- Nemojte koristiti sapun, deterdžent, prašak za ribanje, sredstvo za čišćenje u spreju itd., jer oni mogu uzrokovati mirise u unutrašnjosti hladnjaka ili kontaminiranje hrane.
- Očistite okvir za boce, police i ladice mekom krpom navlaženom sapunicom ili razrijeđenim deterdžentom. Osušite mekom krpom ili prirodno osušite.
- Obrišite vanjsku površinu hladnjaka mekom krpom navlaženom sapunicom, deterdžentom itd., a zatim obrišite suhom.
- Nemojte koristiti tvrde četke, čiste čelične kuglice, žičane četke, abrazive (kao što su paste za zube), organska otapala (kao što su alkohol, aceton, ulje banane itd.), kipuću vodu, kisele ili alkalne predmete, koji mogu oštetiti površine i unutrašnjosti hladnjaka. Kipuća voda i organska otapala kao što je benzen mogu deformirati ili oštetiti plastične dijelove.
- Nemojte ispirati izravno vodom ili drugim tekućinama tijekom čišćenja kako biste izbjegli kratke spojeve ili utjecali na električnu izolaciju nakon uranjanja.

PAŽNJA

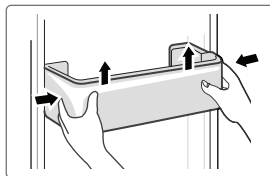
Isključite hladnjak za odmrzavanje i čišćenje.

Odmrzavanje

- Hladnjak je napravljen na principu zračnog hlađenja te ima funkciju automatskog odmrzavanja. Mraz formiran zbog promjene sezone ili temperature također se može ručno ukloniti odvajanjem uređaja iz napajanja ili brisanjem suhom ručnikom.

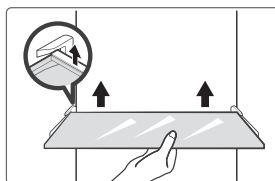
Čišćenje nosača vrata

- U skladu sa strelicom za smjer na donjoj slici, objema rukama stisnite ladicu i gurnite je prema gore, a zatim je možete izvaditi.
- Nakon što ste izvadili pladanj, možete namjestiti njegovu visinu u skladu sa svojim zahtjevima.



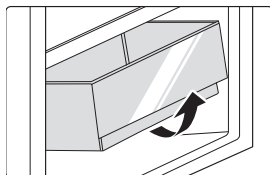
Čišćenje staklene police

- Budući da unutarnji dio obloge hladnjaka gdje dolazi u dodir s policama ima povratni graničnik, podignite police prema gore i tada ih možete izvaditi.
- Prilagodite ili očistite police prema svojim zahtjevima.



Čišćenje ladice za povrće

1. Izvadite sadržaj ladice. Držite ručku ladice za povrće i potpuno je izvucite dok se ne zaustavi.
2. Podignite ladicu za povrće i izvadite je izvlačenjem.



Van pogona

Prekid napajanja:

U slučaju nestanka struje, čak i ako je ljeti, hrana unutar uređaja može se čuvati nekoliko sati; tijekom nestanka struje, vrijeme otvaranja vrata se smanjuje i više svježih hrane ne smije se stavljati u uređaj.

Dugotrajna neuporaba:

Uređaj se mora isključiti, a zatim očistiti; zatim su vrata otvorena kako bi se spriječio miris.

Premještanje:

Prije premještanja hladnjaka, izvadite sve predmete iznutra, fiksirajte staklene pregrade, držač povrća, ladice komore za zamrzavanje i sl. Trakom i zategnite noge za izravnavanje; zatvorite vrata i popravite ih trakom. Tijekom kretanja, aparat ne smije biti postavljen naopako ili vodoravno, niti treba vibrirati; nagib tijekom kretanja ne smije biti veći od 45 °.

● PAŽNJA

Uređaj mora stalno raditi jednom kad ga pokrenete. Općenito, rad uređaja ne smije biti prekinut, jer u protivnom može doći do smanjenja njegovog radnog vijeka.

RJEŠAVANJE PROBLEMA

Sljedeće probleme može pokušati riješiti sam korisnik. Ako ne riješite probleme, nazovite servisnu službu.

Problem	Mogući razlog
Operacija nije uspjela	• Provjerite je li uređaj priključen na napajanje i je li utikač ima kontakt
	• Provjerite je li napon prenizak
	• Provjerite postoji li prekid napajanja ili je pregorio osigurač
Miris	• Namirnice intenzivnog mirisa valja zamotati
	• Provjerite ima li trulih namirnica
	• Očistite unutrašnjost uređaja
Dugogodišnji rad kompresora	• Dugi rad hladnjaka je normalan ljeti.
	• kada je temperatura okoline visoka, nije poželjno imati previše hrane u uređaju u isto vrijeme.
	• Hrana se mora ohladiti prije stavljanja u uređaj
	• Prečesto otvaranje vrata
Svjetlo ne svijetli	• Provjerite je li hladnjak spojen na napajanje i je li žarulja oštećena.
	• Zamjenu svjetla prepustite stručnjaku
Vrata se ne mogu pravilno zatvoriti	• Vrata su zaglavljena paketima hrane Stavljeno je previše hrane.
	• Hladnjak je nagnut.
Glasni zvukovi	• Provjerite je li pod ravan i je li hladnjak stabilno postavljen
	• Provjerite jesu li dijelovi hladnjaka pravilno postavljeni

Problem	Mogući razlog
Brtvila vrata ne uspijeva biti čvrsta	<ul style="list-style-type: none"> • Uklonite strane materije sa brtve vrata • Zagrijte brtvu na vratima, a zatim je ohladite radi obnavljanja (zagrijati je možete sušilom za kosu ili vrućom krpom)
Prelijeva se posuda za vodu	<ul style="list-style-type: none"> • U komori ima previše namirnica ili pohranjene namirnice sadrže visok udio vode, što rezultira jakim odmrzavanjem • Vrata nisu dobro zatvorena, što rezultira smrzavanjem zbog ulaska zraka i povećanom količinom vode zbog odleđivanja
Vruće kućište	<ul style="list-style-type: none"> • Odvođenje topline ugrađenog kondenzatora kroz kućište, što je normalno. Kad se kućište zagrije zbog visoke temperature okoline, spremišta previše hrane ili isključivanja kompresora, osigurajte zvučnu ventilaciju kako biste olakšali odvođenje topline
Kondenzacija površine	<ul style="list-style-type: none"> • Kondenzacija na vanjskoj površini i brtvama vrata hladnjaka normalna je kad je okolna vlažnost previsoka. Samo obrišite kondenzat čistim ručnikom.
Abnormalna buka	<ul style="list-style-type: none"> • Zujanje: Kompresor može proizvesti zujati tijekom rada, a zujati su glasni posebno na početku ili zaustaviti. To je u redu. • Škripa: Rashladno sredstvo koje teče unutar uređaja može proizvesti škripanje, što je normalno.

DODATAK

Posebno za novi europski standard:

Naručene dijelove u sljedećoj tabeli možete nabaviti preko kanala servis provajdera

Naručeni dio	Koje pruža	Minimalno vrijeme potrebno za obezbjeđenje
Termostati	Stručno osoblje za održavanje	Najmanje 7 godina nakon pokretanja posljednjeg modela na tržištu
Senzori temperature	Stručno osoblje za održavanje	Najmanje 7 godina nakon pokretanja posljednjeg modela na tržištu
Tiskane pločice	Stručno osoblje za održavanje	Najmanje 7 godina nakon pokretanja posljednjeg modela na tržištu
Izvori svjetlosti	Stručno osoblje za održavanje	Najmanje 7 godina nakon pokretanja posljednjeg modela na tržištu
Ručke vrata	Profesionalni serviseri i krajnji korisnici	Najmanje 7 godina nakon pokretanja posljednjeg modela na tržištu
Šarnila vrata	Profesionalni serviseri i krajnji korisnici	Najmanje 7 godina nakon pokretanja posljednjeg modela na tržištu
Tacne	Profesionalni serviseri i krajnji korisnici	Najmanje 7 godina nakon pokretanja posljednjeg modela na tržištu
Korpe	Profesionalni serviseri i krajnji korisnici	Najmanje 7 godina nakon pokretanja posljednjeg modela na tržištu
Brtvila za vrata	Profesionalni serviseri i krajnji korisnici	Najmanje 10 godina nakon pokretanja posljednjeg modela na tržištu

Dragi kupče

1. Ako želite vratiti ili zamijeniti proizvod, kontaktirajte trgovinu u kojoj ste ga kupili. (Ne zaboravite ponijeti račun)
2. Ako se vaš proizvod pokvari i treba ga popraviti, kontaktirajte ovlašteni servis.

PAŽNJA

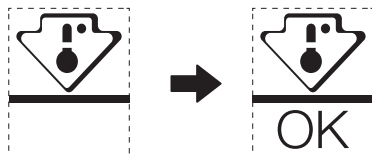
Informacije o modelu u bazi podataka proizvoda, kao i identifikator modela, mogu se dobiti putem web veze skenirane QR kodom, ako postoji, na etiketi energetske efikasnosti proizvoda. Za više informacija o energetske učinkovitosti uređaja posjetite <https://ec.europa.eu> i pretražite pomoću naziva modela.

Naziv modela nalazi se na oznaci uređaja.

Najhladnija zona u hladnjaku

OPCIONO: OK-indikator temperature

- Indikator OK-temperature može se koristiti za određivanje temperatura ispod +4°C. Postupno smanjite temperaturu ako znak ne pokazuje "OK".



- Kako biste osigurali temperaturu u ovom području, nemojte mijenjati položaj police. Hladnjaci s pojačanim zrakom (opremljeni ventilatorom ili No Frost modeli), simbol najhladnije zone nije prikazan jer je unutrašnja temperatura homogena.

Podešavanje indikatora temperature

- Kako biste lakše namjestili svoj hladnjak, opremljen je indikatorom temperature koji će pratiti prosječnu temperaturu u najhladnijoj zoni.
- UPOZORENJE: Ovaj indikator je namijenjen samo za rad s vašim hladnjakom, nemojte ga koristiti u drugom hladnjaku (zapravo, najhladnija zona nije ista) ili za bilo koju drugu upotrebu.

Provjera temperature u najhladnijoj zoni

- Pomoću indikatora temperature možete redovito provjeravati je li temperatura najhladnije zone ispravna. Uistinu, unutarnja temperatura hladnjaka ovisi o nekoliko čimbenika kao što su temperatura okoline u prostoriji, količina pohranjene hrane i učestalost otvaranja vrata. Uzmite u obzir ove faktore prilikom postavljanja uređaja.
- Kada indikator pokazuje «OK», to znači da je vaš termostat dobro podešen i da je unutarnja temperatura ispravna.
- Ako indikator temperature postane BIJELI, to znači da je temperatura previsoka; u tom slučaju povećajte postavku kontrole temperature hladnjaka i pričekajte 12 sati prije izvođenja novog vizualnog pregleda indikatora. Kada je unesena svježa hrana ili su vrata ostavljena otvorena, moguće je da indikator temperature nakon nekog vremena postane BIJELI.

ZAHVALNO PISMO

Hvala, ker ste izbrali Midea! Pred uporabo novega izdelka Midea, natančno preberite ta priročnik, da se prepričate, da znate varno upravljati z lastnostmi in funkcijami, ki jih ponuja vaša nova naprava.

VSEBINA

ZAHVALNO PISMO	01
SPECIFIKACIJE	02
PREGLED IZDELKA	03
NAMESTITEV IZDELKA	04
NAVODILA ZA UPORABO	11
ČIŠČENJE IN VZDRŽEVANJE	15
ODPRAVLJANJE NAPAK	17
DODATEK	19

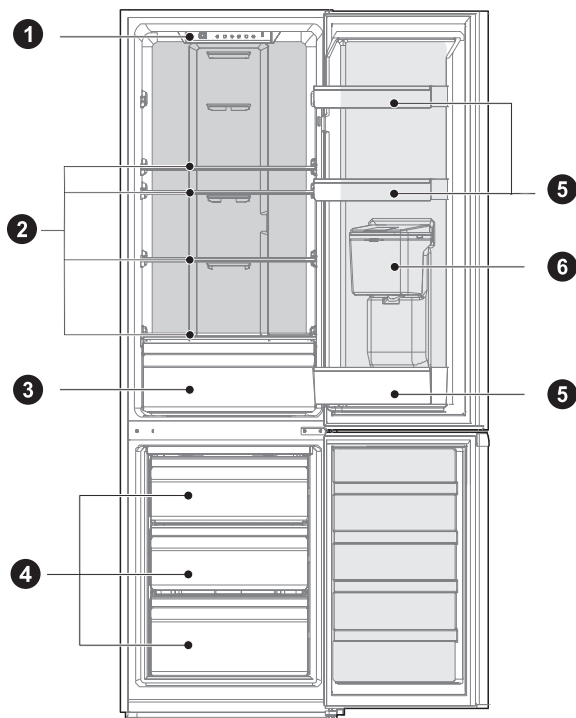
SPECIFIKACIJE

Model izdelka	MDRB380FGE SERIES
Prostornina Predela za Svežo Hrano	199L
Prostornina za Shranjevanje Zamrznjene Hrane	71L
Tip Odtaljevanja	Samodejno odtajanje
Čas Povišanja Temperature	7h
Kapaciteta Zamrzovanja	3,5kg/24h
Ocenjena Napetost	220-240V-
Nazivni Tok	0,6A
Skupne Mere (V x Š x G)	1800x545x625mm

SL

PREGLED IZDELKA

Imena sestavnih delov



- | | | | |
|---|------------------------------|---|---------------------------------|
| 1 | LED osvetlitev | 4 | Predal |
| 2 | Polica | 5 | Pladenj Za Vrata |
| 3 | Škatla za sadje in zelenjavo | 6 | Razpršilnik za vodo (neobvezno) |

PREVIDNO

Slika zgoraj je samo za referenco. Dejanska konfiguracija bo odvisna od fizične naprave ali izjave distributerja.

NAMESTITEV IZDELKA

Navodila za Namestitev

Za hladilne naprave s klimatskim razredom

- Odvisno od klimatskega razreda je ta hladilna naprava namenjena za uporabo pri temperaturah okolice, ki so navedene v spodnji tabeli.
- Klimatski razred je naveden v tabeli s podatki. Izdelek mogoče ne bo pravilno deloval pri temperaturah zunaj določenega območja.
- Klimatski razred najdete na etiketi izdelka.

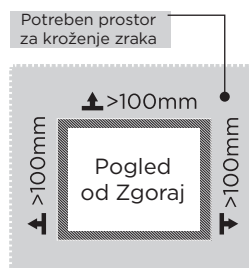
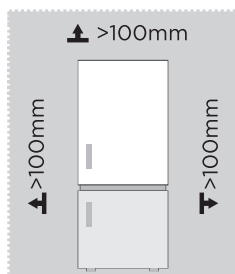
Učinkovito temperaturno območje

- Izdelek je zasnovan tako, da normalno deluje v temperaturnem območju, ki je določeno z njegovim razredom.

Razred	Simbol	Temperaturno območje okolice °C	
		IEC 62552 (ISO 15502)	ISO 8561
Razširjeno zmerno	SN	+ 10 do + 32	+ 10 do + 32
Zmerno	N	+ 16 do + 32	+ 16 do + 32
Subtropski	ST	+ 16 do + 38	+ 18 do + 38
Tropski	T	+ 16 do + 43	+ 18 do + 43

Dimenzije in Razdalje

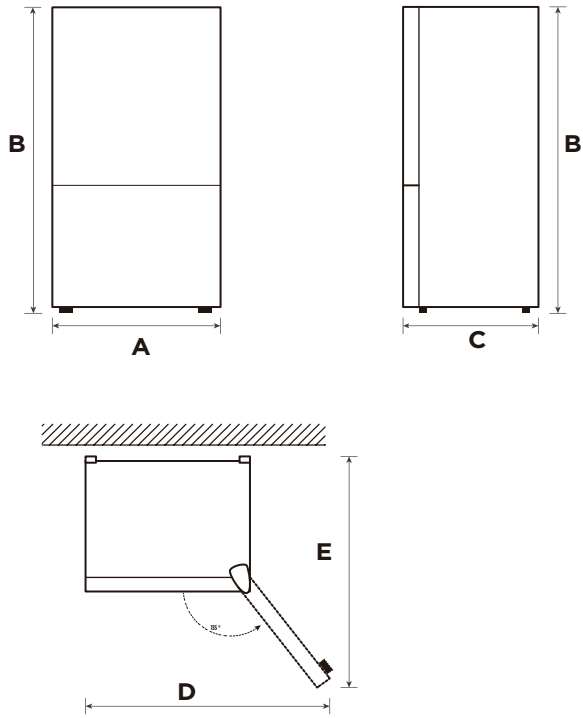
- Premajhna oddaljenost od sosednjih predmetov lahko povzroči poslabšanje zamrzovalne sposobnosti in poveča stroške električne energije. Pri namestitvi naprave pustite več kot 100 mm odmika od vsake sosednje stene.



PREVIDNO

Slika zgoraj je samo za referenco. Dejanska konfiguracija bo odvisna od fizične naprave ali izjave distributerja.

Shema potrebnega prostora (ko so vrata odprta in ko so vrata zaprta)



Širina	Celotna Višina	Globina	Širina vrata so odprta za 135°	Globina vrata so odprta za 135°
A	B	C	D	E
545	1800	625	820	1070

Opomba: Vse dimenzije so v mm

SL



Izravnalna noga

Da bi se izognili vibracijam, je treba enoto izravnati.

Po potrebi prilagodite izravnalne vijake, da izravnate neravna tla.

Sprednji del mora biti nekoliko višji od zadnjega, da se vrata lažje zaprejo.

Izravnalne vijake lahko enostavno obrnete tako, da ohišje rahlo nagnete.

Za dvig ohišja izravnalne vijake obrnite v nasprotni smeri urnega kazalca , ter v smeri urnega kazalca , da ga spustite.

Premikanje naprave

1. Preden hladilnik premaknete, vzemite vse predmete v notranjost in izvlecite vtič.
2. Steklene pregrade, držalo za zelenjavo, predale zamrzovalne komore in druge predale pritrdite s trakom in zategnite izravnalne noge; zaprite vrata in jih zapečatite s trakom.
3. Napravo previdno premaknite z več kot dvema osebama. Med premikanjem se naprava ne sme pretirano položiti navzdol ali vodoravno ali vibrirati; naklon med premikanjem ne sme biti večji od 45°.
4. Po namestitvi naprave priključite električni vtič v vtičnico, da vklopite napravo.

PREVIDNO

Previdnostni ukrepi pred izvedbo:

Pred spremembami je treba hladilnik odklopiti iz električnega omrežja.

previdnostne ukrepe, da preprečite morebitne telesne poškodbe.

Namestitev

- Preden začnete z uporabo odstranite vso embalažo, vključno s spodnjimi blazinicami, penastimi blazinicami in trakovi v notranjosti hladilne naprave; odstranite zaščitno folijo na vratih in ohišju hladilne naprave.
- Postavite stran od vročine in stran od neposredne sončne svetlobe. Zamrzovalnik ne postavite na vlažna ali mokra mesta, da preprečite rjo ali zmanjšanje izolacijskega učinka.
- Ne sprejajte in ne spirajte hladilne naprave; ne postavljajte je na vlažna mesta, ki jih je mogoče poškopiti z vodo, da ne bi vplivali na električne izolacijske lastnosti izdelka.
- Hladilnik postavite na dobro prezračevano mesto v zaprtem prostoru; podlaga mora biti ravna in stabilna (če je nestabilna, zavrtite levo ali desno, da prilagodite kolo za izravnavo).

Vrata desno-levo sprememba (neobvezno)

Glede na lokacijo, na kateri nameravate uporabljati hladilnik, je morda bolj priročno obrniti položaj vrat.

PREVIDNO

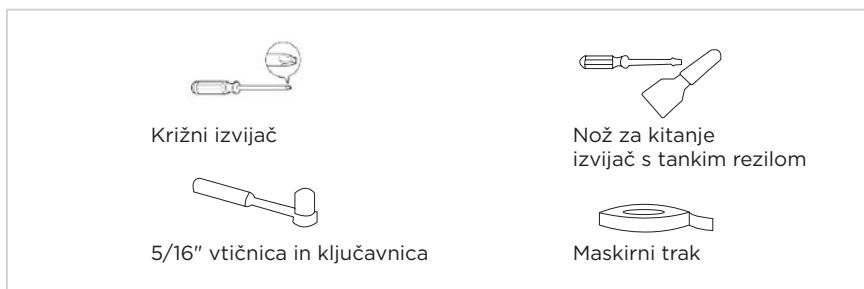
PREVIDNO: Da bi se izognili poškodbam sebe ali svojega premoženja, priporočamo, da vam med postopkom obračanja vrat nekdo pomaga.

Priprava na spremembo položaja vrat

Potrebovali boste: Standardni izvijač, križni izvijač in priloženi imbus ključ.

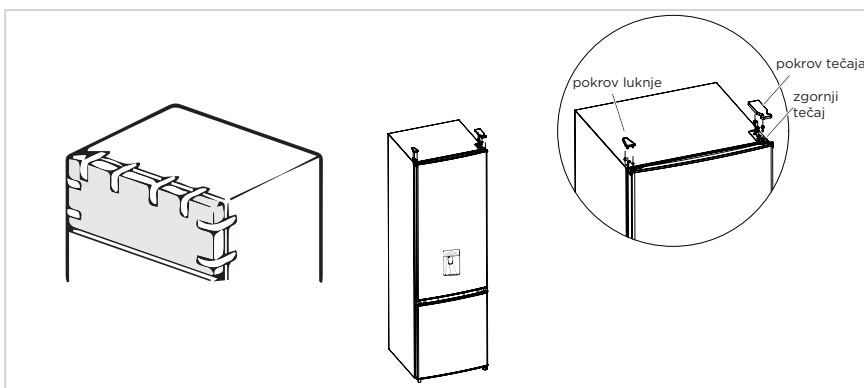
- Prepričajte se, da je hladilnik odklopljen in prazen.
- Naj vam bo na voljo oseba, ki vam bo pri tem pomagala.
- Vse odstranjene dele shranite, da jih boste lahko pozneje ponovno uporabili.

Orodja, potrebna za zamenjavo vrat:

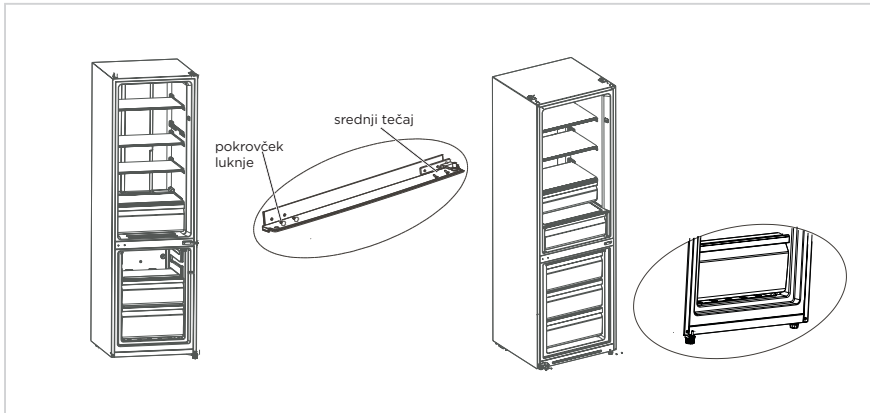


Korak

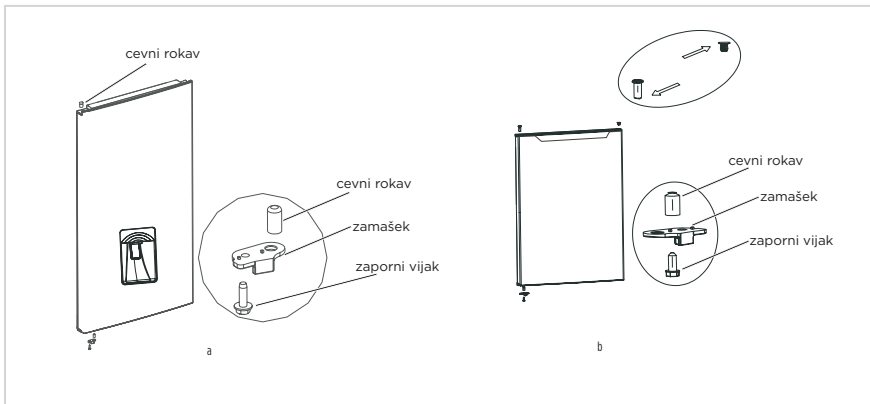
1. Pred izvedbo tega postopka napravo izklopite.
Z notranje obloge vrat odstranite vso hrano. Vrata zaprite z lepilnim trakom.
2. Demontirajte pokrov luknje, pokrov tečaja in zgornji tečaj.



3. Odstranite vrata hladilne komore, srednji tečaj (za odstranitev vijaka srednjega tečaja uporabite ključ) in pokrovček luknje na drugi strani.
4. Odstranite vrata zamrzovalne komore, demontirajte spodnji tečaj, pokrovčke lukenj, izravnalno nogo in namestite spodnji tečaj na drugi strani.



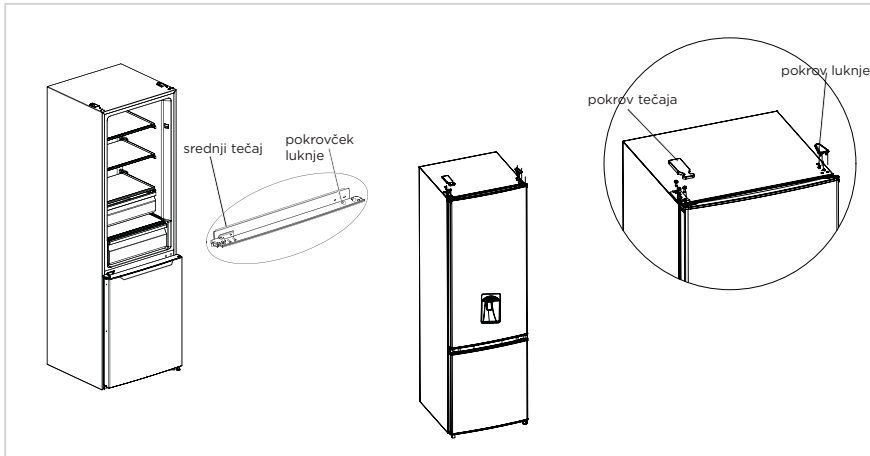
5. a) Demontirajte zamašek, cev obroča vrat hladilne komore. Sestavite cev obroča in zamašek na spodnjem levem delu vrat z vijakom.
- b) Z desne strani vrat zamrzovalne komore demontirajte zamašek in cev s tulcem ter z vijakom pritrdite cev s tulcem in zamašek na spodnji levi strani vrat. Odstranite cevni rokav in pokrovčke lukenj na vratih zamrzovalne komore ter jih namestite na drugo stran.



6. Vrata za zamrzovanje namestite na spodnji tečaj in namestite srednji tečaj ter pokrovčke lukenj.
7. Vrata hladilne komore namestite na srednji tečaj in namestite zgornji tečaj ter pokrov tečaja.

8. Vrata hladilne komore namestite na srednji tečaj in namestite zgornji tečaj ter pokrov tečaja.

Pred namestitvijo zgornjega pokrova tečaja je treba potrditi naslednje. Vijake, ki držijo tečaj, je treba tesno pritisniti na površino tečaja, da se vijak ne odkloni. Po namestitvi tečaja se prepričajte, da se ne tresse.

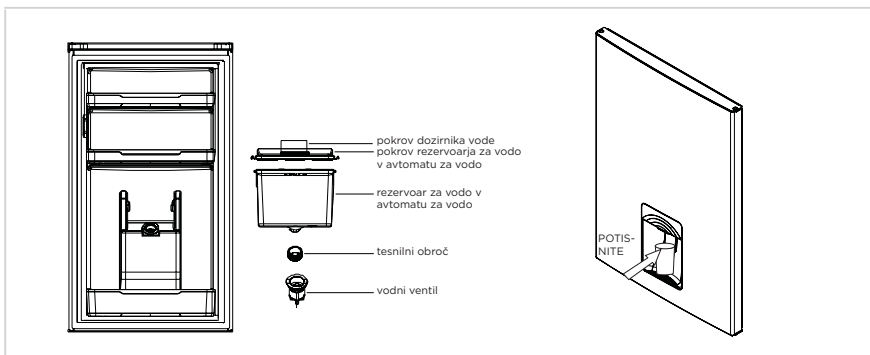


PREVIDNO

Slika zgoraj je samo za referenco. Dejanska konfiguracija bo odvisna od fizične naprave ali izjave distributerja.

Uporaba razpršilnika vode (neobvezno)

1. Najprej odprite pokrov za dovod vode in napolnite s pitno vodo do oznake "MAX (NAJVEČ)", ki je označena kot največja količina vode.
2. S skodelico potisnite sprožilec v notranjost, voda bo odtekla, ko se sprožilec vrne v prvotni položaj, se voda ustavi.
3. Razpršilnik za vodo se lahko uporablja samo za čisto vodo, ni primeren za pijače ali sadne sokove.



Spreminjanje luči

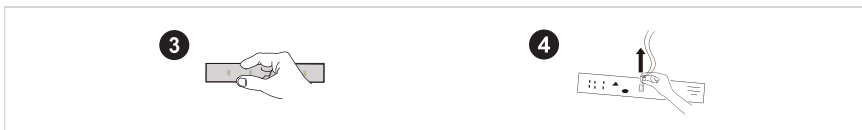
- Zamenjavo ali vzdrževanje sijalk LED naj opravi proizvajalec, njegov servisni zastopnik ali podobno usposobljena oseba. Ta izdelek vsebuje svetlobni vir razreda energijske učinkovitosti <F>.

Korak

1. Pred odstranitvijo izdelka izvlecite vtič.
2. Odstranite senčnik z izvijačem.



3. Odstranite ploščo svetilke.
4. Odstranite priključni terminal.



Priključitev naprave

Pred prvim zagonom pustite hladilno napravo pri miru dve uri, nato ga priključite na napajanje.

PREVIDNO

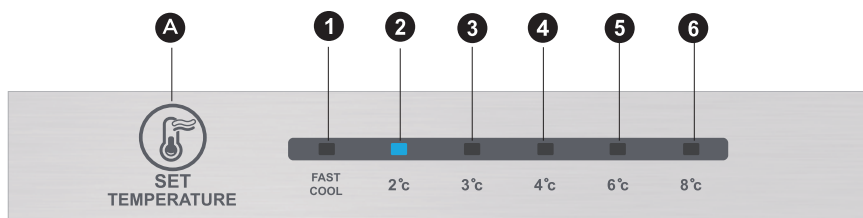
Preden vstavite svežo ali zamrznjeno hrano v napravo, mora hladilnik delovati 2-3 ure poleti pa več kot 4 ure, ker je temperatura v okolju višja.

Nasveti za varčevanje z električno energijo

- Napravo namestite v najbolj hladen prostor, stran od naprav, ki proizvajajo toploto, ali grelnih virov in stran od direktne sončne svetlobe.
- Preden vroča živila vstavite v aparat, jih ohladite na sobno temperaturo. Preveč izdelkov v napravi povzroči, da kompresor deluje dlje. Živila, ki zamrznejo prepočasi zaradi prevelike napolnjenosti, lahko izgubijo kakovost ali se pokvarijo.
- Poskrbite, da živila ustrezno zavijete, in posode, preden jih vstavite v aparat, obrišite do suhega. Tako zmanjšate nastajanje zmrzali v notranjosti aparata.
- Posode za shranjevanje v napravi ne smejo biti založene s kositrno folijo, voščenim papirjem ali papirnatimi brisačami. Obloge ovirajo kroženje hladnega zraka, zaradi česar je hladilnik manj učinkovit.
- Organizirajte in označite hrano, da se zmanjša čas odpiranja vrat in iskanja izdelkov. Odstranite čim več predmetov naenkrat in zaprite vrata čim prej.

NAVODILA ZA UPORABO

Krmilna plošča



PREVIDNO

Slika zgoraj je samo za referenco. Dejanska konfiguracija bo odvisna od fizične naprave ali izjave distributerja.

Ključ

A Gumb za Alarm/power off/power on (Alarm/izklop/vklop)

Zaslon

- | | |
|----------|--------------------------|
| 1 | nastavitev temperature 1 |
| 2 | nastavitev temperature 2 |
| 3 | nastavitev temperature 3 |
| 4 | nastavitev temperature 4 |
| 5 | nastavitev temperature 5 |
| 6 | nastavitev temperature 6 |

Zaslon

Ob vklopu hladilnika bo zaslon (vključno s ključno lučko) 3 s v celoti svetil, nato bo hladilnik deloval v skladu z nastavitvijo temperature 4.

Prikaz normalnega delovanja

Ob okvari se na ustrezni luči LED prikaže kombinacija kode okvare (v prikazovalniku recikliranja);

Če ni okvare, se v luči LED prikaže obstoječa nastavitev temperature.

PREVIDNO

Dejanska nadzorna plošča se lahko pri posameznih modelih razlikuje.

Navodila za uporabo

Nastavitev prestav

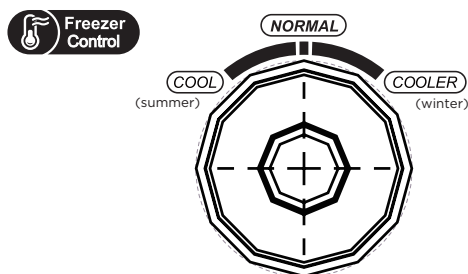
- Nastavitev temperature se spremeni vsakič, ko pritisnete tipko SET (NASTAVITVE). Po 15 sekundah bo hladilnik deloval z novo nastavljeno vrednostjo.
Nastavitev1 → Nastavitev 2 → Nastavitev 3 → Nastavitev 4 → Nastavitev 5 → Nastavitev 6 → Nastavitev 1 →

Način Fast cool (Hitrega hlajenja):

- Vstopite: Način rapid cooling (hitrega hlajenja) s krožno modulacijo.
- Delujete: Prižge se indikator hitrega hlajenja in hladilnik deluje pri 2 °C.
- Način Fast cool (Hitrega hlajenja) je samodejno onemogočen za 24 ur.
- Funkcijo h Fast cool (Hitrega hlajenja) lahko uporabite kot funkcijo Super freezing (Super zamrzovanja).

Nadzor temperature v zamrzovalni komori

- Temperatura zamrzovanja je v položaju "COOLER (HLADILNIKA)" relativno nizka, medtem ko je temperatura zamrzovanja v položaju "COOL (HLADENJE)" relativno visoka, zato se običajno uporablja položaj "NORMAL (NORMALNO)".
- Kadar je temperatura okolice poleti visoka, mora biti temperatura v območju od "NORMAL (NORMALNO)" do "COOL (HLADENJE)". Če je temperatura okolja višja od 35 °C, prevlada položaj "COOL (HLADENJE)".
- Kadar je pozimi temperatura okolice nizka, mora biti temperatura v območju od "NORMAL (NORMALNO)" do "COOLER (HLADILNIKA)". Če je temperatura okolice nižja od 10 °C, prevlada položaj "COOLER (HLADILNIKA)".



Napačna koda

- Naslednja opozorila, ki se prikažejo na zaslonu, označujejo naslednje napake hladilnika.
- Čeprav lahko hladilnik še vedno deluje kot hladilnik in zamrzovalnik z naslednjimi napakami, se mora uporabnik za vzdrževanje obrniti na strokovnjaka za vzdrževanje, da se zagotovi normalna uporaba hladilnika.

Koda Napake	Opis Napake
LED 1 in LED 2 se prižgeta	Veže senzorja temperature hladilnika
LED 1 in LED 3 se prižgeta	Senzor za odmrzovanje zamrzovalnika
LED 4 in LED 4 se prižgeta	Senzor temperature okolice

Hladilni predel

- Hladilni del je primeren za shranjevanje raznovrstnega sadja, zelenjave, pijač in druge hrane, ki jo zaužijemo v kratkem času, priporočen čas shranjevanja je od 3 do 5 dni.
- Živila, ki se kuhajo, ne postavljajte v hladilni predel, dokler se ne ohladijo na sobno temperaturo.
- Živila je priporočljivo nepredušno zapreti, preden jih damo v hladilnik.
- Steklene police je možno nastaviti gor ali dol za primerno količino prostora za shranjevanje in enostavno uporabo.

Zamrzovalni predel

- Nizko temperaturni zamrzovalni prostor lahko dolgo časa ohranja svežino hrane in se uporablja za shranjevanje zamrznjenih živil in za izdelavo ledu.
- Zamrzovalni predel je primeren za shranjevanje mesa, rib, riževih kroglic in druge hrane, ki je ne boste zaužili v kratkem času.
- Kose mesa je najbolje razdeliti na majhne koščke za hitro zamrzovanje in enostaven dostop. Upoštevajte, da je treba hrano porabiti v času roka uporabe.

Naročilo	TIP prostora	Ciljna temperatura shranjevanja [°C]	Primerna živila
1	Hladilnik	+2 - +8	Jajca, kuhana živila, pakirana živila, sadje in zelenjava, mlečni izdelki, pecivo, pijače in druga živila niso primerna za zamrzovanje.
2	(***)* - Zamrzovalnik	≤-18	Morski sadeži (ribe, kozice, školjke), sladkovodni/vodni izdelki, mesni izdelki (priporočljivo 3 mesece, daljši kot je čas shranjevanja, slabši sta okus in hranilna vrednost), primerno za zamrznjena sveža živila.
3	***-Zamrzovalnik	≤-18	Morski sadeži (ribe, kozice, školjke), sladkovodni/vodni izdelki, mesni izdelki (priporočljivo 3 mesece, daljši kot je čas shranjevanja, slabši sta okus in hranilna vrednost), primerno za zamrznjena sveža živila.
4	** -Zamrzovalnik	≤-12	Morski sadeži (ribe, kozice, školjke), sladkovodni/vodni izdelki, mesni izdelki (priporočljivo 3 mesece, daljši kot je čas shranjevanja, slabši sta okus in hranilna vrednost), primerno za zamrznjena sveža živila.
5	*-Zamrzovalnik	≤-6	Morski sadeži (ribe, kozice, školjke), sladkovodni/vodni izdelki, mesni izdelki (priporočljivo 3 mesece, daljši kot je čas shranjevanja, slabši sta okus in hranilna vrednost), primerno za zamrznjena sveža živila.
6	O-zvezda	-6 - 0	Sveža svinjina, govedina, ribe, piščanec, nekatera pakirana predelana živila itd. (Priporočljivo je, da jih pojedete v istem dnevu, po možnosti ne hranite več kot 3 dni). Delno zaprta predelana živila (živila, ki jih ni mogoče zamrzniti).
7	Hlajenje	-2 - +3	Sveža/zamrznjena svinjina, govedina, piščanec, sladkovodni /vodni izdelki itd. (7 dni pod 0°C, nad 0°C pa je priporočljivo zaužiti v istem dnevu, po možnosti ne več kot 2 dni). Morski sadeži (manj kot 0°C za 15 dni, ni priporočljivo shranjevati nad 0°C).
8	Sveža živila	0 - +4	Sveža svinjina, govedina, ribe, piščanec, kuhana živila itd. (priporočljivo je, da se zaužijejo v istem dnevu, po možnosti ne več kot 3 dni).
9	Vino	+5 - +20	Rdeče vino, belo vino, peneče vino itd.

PREVIDNO

Shranjujte različna živila glede na predelke ali ciljno temperaturo shranjevanja kupljenih živil.

ČIŠČENJE IN VZDRŽEVANJE

Celotno čiščenje

- Prah za hladilnikom in na tleh je treba pravočasno očistiti, da se izboljša učinek hlajenja in prihrani energija.
- Redno preverjajte tesnila na vratih, in preverite, da ni umazanije. Tesnilo na vratih čistite z mehko krpo, navlaženo z milnico ali razredčenim detergentom.
- Notranjost hladilnika je treba redno in dobro čistiti, da preprečite vonjave.
- Pred čiščenjem notranjosti izklopite napajanje, izpraznite iz naprave vso hrano, pijačo, police, predale itd.
- Notranjost hladilnika lahko čistite z mehko krpo ali gobico z dvema žlicama sode bikarbone in litrom tople vode. Nato ga sperite z vodo in obrišite na suho. Ko zaključite s čiščenjem odprite vrata in pustite, da se same osušijo, preden vklopite napravo v električno napajanje.
- Območja, ki jih je v hladilniku težko očistiti (kot so ozki sendviči, vrzeli ali koti), je priporočljivo redno brisati z mehko krpo, mehko krtačo itd. in po potrebi kombinirati s pomožnimi orodji (kot so tanke palice), da se na teh območjih ne bi nabirale nečistoče ali bakterije.
- Ne uporabljajte mila, detergenta, čistil v prahu, čistil v razpršilu itd., saj lahko povzročijo neprijetne vonjave v notranjosti hladilnika ali kontaminacijo živil.
- Pladenj vrat, police in predele očistite z mehko krpo, navlaženo z milnico ali razredčenim detergentom. Posušite z mehko krpo ali pustite da se posuši na zraku.
- Obrišite zunanjo površino hladilnika z mehko krpo, navlaženo z milnico, detergentom itd., in nato obrišite na suho.
- Ne uporabljajte trdih ščetk, čistih jeklenih kroglic, žičnih ščetk, abrazivov (kot je zobna pasta), organskih topil (kot so alkohol, aceton, bananino olje itd.), vrele vode, kislin ali alkalnih predmetov, ki lahko poškodujejo površino hladilnika in njegovo notranjost. Vrela voda in organska topila, kot je benzen, lahko pokvarijo ali poškodujejo plastične dele.
- Med postopkom čiščenja ne izpirajte z vodo ali ostalimi tekočinami saj lahko poškodujete vezi z električnimi deli.

PREVIDNO

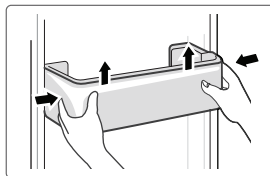
Za odmrzovanje in čiščenje izklopite hladilnik.

Odmrzovanje

- Hladilnik je izdelan na način zračnega hlajenja in ima funkcijo avtomatskega odtaljevanja. Zmrzal, ki nastane zaradi spremembe letnega časa ali temperature, lahko tudi ročno odstranite s tem ko izključite napravo iz električnega omrežja ali z brisanjem s suho brisačo.

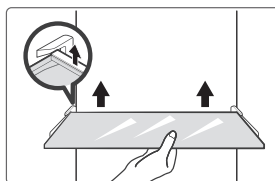
Čiščenje predala na vratih

- Kot kaže smerna puščica na spodnji sliki z obema rokama stisnite pladenj in ga potisnite navzgor, nato ga lahko vzamete ven.
- Po tem, ko je pladenj odstranjen, lahko prilagodite njegovo višino namestitve glede na vaše potrebe.



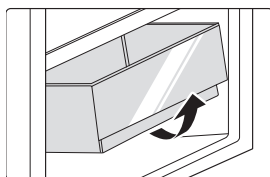
Čiščenje steklene police

- Ker ima najbolj notranji del obloge hladilnika, kjer se stika s policami, zaporo, morate police dvigniti navzgor, nato jih boste lahko izvlekli.
- Police prilagodite ali očistite glede na svoje zahteve.



Čiščenje predala za zelenjavo

1. Odstranite vsebino predala. Držite ročaj predala za zelenjavo in ga popolnoma izvlecite, dokler se ne ustavi.
2. Dvignite predal za zelenjavo in ga odstranite tako, da ga potegnete ven.



Ko naprava ne deluje

Ni elektrike:

V primeru izpada električne energije, tudi če se zgodi poleti, lahko živila znotraj naprave hranite več ur; med izpadom električne energije manj odpirajte vrata in v napravo ne postavljajte več sveže hrane.

Dolgotrajna neuporaba:

Napravo izključite iz električnega napajanja in jo nato očistite; nato pustite vrata odprta, da preprečite neprijeten vonj.

Premikanje:

Pred premikanjem hladilnika, vzemite vse predmete ven, s trakom pritrдите steklene predelne stene, držalo za zelenjavo, predale zamrzovalnega predela itd. in privijte nivojske noge; zaprite vrata in jih pritrдите s trakom. Med premikanjem naprave ne smete položiti na glavo ali vodoravno ali povzročati vibriranja; naklon med premikanjem ne sme biti večji od 45°.

● PREVIDNO

Naprava mora delovati neprekinjeno, ko jo zaženete. Na splošno delovanje naprave ne sme biti prekinjeno; v nasprotnem primeru se lahko skrajša življenjska doba.

ODPRAVLJANJE NAPAK

Uporabnik lahko reši naslednje preproste težave. Če težav ne uspete odpraviti, pokličite poprodajno službo.

Težava	Možen razlog
Neuspešno delovanje	<ul style="list-style-type: none">• Preverite, če je naprava priklopljena na napajanje in če je vtič dobro v stiku
	<ul style="list-style-type: none">• Preverite, če je napetost prenizka
	<ul style="list-style-type: none">• Preverite, ali je prišlo do izpada električne energije ali so se izklopila delna vezja
Neprijetne vonjave	<ul style="list-style-type: none">• Živila z močnim vonjem morajo biti tesno zapakirana
	<ul style="list-style-type: none">• Preverite če je v notranjosti pokvarjena hrana
	<ul style="list-style-type: none">• Očistite notranjost hladilne naprave
Dolgo delovanje kompresorja	<ul style="list-style-type: none">• Dolgo delovanje hladilnika je običajno poleti,
	<ul style="list-style-type: none">• ko je temperatura prostora visoka. Ni priporočljivo, da je v napravi preveč živil
	<ul style="list-style-type: none">• Hrana se mora ohladiti, preden jo date v napravo
Luč se ne prižge	<ul style="list-style-type: none">• Vrata se odpirajo prepogosto
	<ul style="list-style-type: none">• Preverite, da je hladilna naprava priključena na vir napajanja in ali je luč za osvetlitev poškodovana
	<ul style="list-style-type: none">• Luč mora zamenjati strokovnjak
Vrat ni možno dobro zapreti	<ul style="list-style-type: none">• Preverite, da je hladilna naprava priključena na vir napajanja in ali je luč za osvetlitev poškodovana
	<ul style="list-style-type: none">• Vrata so se zataknila s paketi hrane V notranjosti je preveč hrane
Glasni zvoki	<ul style="list-style-type: none">• Hladilnik je nagnjen.
	<ul style="list-style-type: none">• Preverite ali so tla ravna in hladilna naprava stabilno nameščena
	<ul style="list-style-type: none">• Preverite, ali so dodatki nameščeni na pravem mestu

Težava	Možen razlog
Tesnilo vrat ni močno nameščeno	<ul style="list-style-type: none"> • Odstranite tujke na tesnilu vrat • Segrejte tesnilo vrat in ga nato ohladite za obnovo (ali ga razpihajte z električnim sušilnikom ali uporabite vročo brisačo za segrevanje)
Posoda za vodo se razlije	<ul style="list-style-type: none"> • V predelu je preveč hrane ali shranjena hrana vsebuje preveč vode, kar posledično povzroča močno odtaljevanje • Vrata niso pravilno zaprta, kar povzroči zmrzal zaradi vstopa zraka in povečano količino vode zaradi odmrzovanja
Vroče ohišje	<ul style="list-style-type: none"> • Odvajanje toplote vgrajenega kondenzatorja preko ohišja, je normalno ko se ohišje segreje zaradi visoke temperature okolice, shranjevanja prevelike količine hrane ali izklopa kompresorja, zagotovite zvočno prezračevanje, da olajšate odvajanje toplote
Površinska kondenzacija	<ul style="list-style-type: none"> • Kondenzacija na zunanji površini in tesnilih vrat hladilne naprave je normalna, če je vlaga v okolju previsoka. Samo obrišite nabrano vlago s čisto brisačo.
Nenormalen hrup	<ul style="list-style-type: none"> • Brenčanje: Kompresor lahko medtem ko deluje povzroča brenčanje, ki je glasno, zlasti ob zagonu ali zaustavitvi. To je normalno. • Škripanje: Hladilno sredstvo, ki teče znotraj naprave, lahko povzroči škripanje, kar je normalno.

DODATEK

Posebno za novi evropski standard

Naročene dele v spodnji tabeli lahko dobite pri ponudniku storitev

Naročen del	Zagotavlja	Minimalni čas, potreben za Zagotavljanje
Termostati	Profesionalno osebje za vzdrževanje	Vsaj 7 let po lansiranju zadnjega modela na trg
Senzorji temperature	Profesionalno osebje za vzdrževanje	Vsaj 7 let po lansiranju zadnjega modela na trg
Tiskana vezja	Profesionalno osebje za vzdrževanje	Vsaj 7 let po lansiranju zadnjega modela na trg
Viri svetlobe	Profesionalno osebje za vzdrževanje	Vsaj 7 let po lansiranju zadnjega modela na trg
Ročaji za vrata	Profesionalni servis in ciljni uporabniki	Vsaj 7 let po lansiranju zadnjega modela na trg
Tečaji vrat	Profesionalni servis in ciljni uporabniki	Vsaj 7 let po lansiranju zadnjega modela na trg
Pladnji	Profesionalni servis in ciljni uporabniki	Vsaj 7 let po lansiranju zadnjega modela na trg
Košare	Profesionalni servis in ciljni uporabniki	Vsaj 7 let po lansiranju zadnjega modela na trg
Tesnila vrat	Profesionalni servis in ciljni uporabniki	Vsaj 10 let po lansiranju zadnjega modela na trg

Draga stranka

1. Če želite izdelek vrniti ali ga zamenjati, se obrnite na trgovino, kjer ste ga kupili. (Ne pozabite prinesiti računa od nakupa)
2. Če se vaš izdelek pokvari, in ga je treba popraviti, se obrnite na ponudnika prodajnih storitev.

PREVIDNO

Podatke o modelu v podatkovni zbirki izdelka, kot tudi identifikator modela, je mogoče dobiti prek spletne povezave, skenirane s kodo QR, če obstaja, na nalepki o energijski učinkovitosti izdelka.

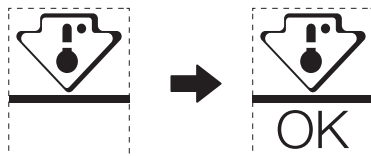
Za več informacij o energetski učinkovitosti naprave obiščite spletno stran <https://ec.europa.eu> in iščite z imenom modela.

Ime modela lahko najdete na oznaki s tehničnimi podatki naprave.

Najhladnejše območje v hladilniku

NEOBVEZNO: OK- indikator temperature

- Z indikatorjem OK-temperature lahko določite temperaturo, ki je nižja od +4°C. Če se na indikatorju ne prikaže znak "OK", temperaturo postopoma znižujte.



- Da bi zagotovili temperaturo v tem območju, ne spreminjajte položaja police. Hladilniki s prisiljenim zrakom (opremljeni z ventilatorjem ali modeli No Frost (Brez Zmrzali)), simbol najhladnejšega območja ni prikazan, ker je temperatura v notranjosti homogena.

Nastavitev indikatorja temperature

- Da bi hladilnik lažje dobro nastavili, je opremljen z indikatorjem temperature, ki bo spremljal povprečno temperaturo v najhladnejšem območju.
- OPOZORILO: Ta indikator je namenjen delovanju samo z vašim hladilnikom, ne uporabljajte ga v drugem hladilniku (pravzaprav najhladnejše območje ni isto) ali za katerokoli drugo uporabo.

Preverjanje temperature v najhladnejšem območju

- Z indikatorjem temperature lahko redno preverjate, ali je temperatura v najhladnejšem območju pravilna. Notranja temperatura hladilnika je namreč odvisna od več dejavnikov, kot so temperatura okolice v prostoru, količina shranjenih živil in pogostost odpiranja vrat. Te dejavnike upoštevajte pri nastavljanju naprave.
- Ko indikator prikazuje « OK », to pomeni, da je termostat dobro nastavljen in da je notranja temperatura pravilna.
- Če indikator temperature postane BEL, to pomeni, da je temperatura previsoka; v tem primeru povečajte nastavev nadzora temperature hladilnika in počakajte 12 ur, preden opravite nov vizualni pregled indikatorja. Če je bilo v hladilnik vneseno sveže živilo ali so bila vrata odprta, se lahko zgodi, da indikator temperature po določenem času postane BEL.

SCRISOARE DE MULȚUMIRE

Vă mulțumesc pentru că ați ales Midea! Înainte de a folosi noul dumneavoastră produs Midea, vă rog să citiți cu atenție manualul acesta ca să vă asigurați că știți cum să folosiți într-un mod sigur caracteristicile și funcțiile pe care noul dumneavoastră aparat vi le oferă

CUPRINS

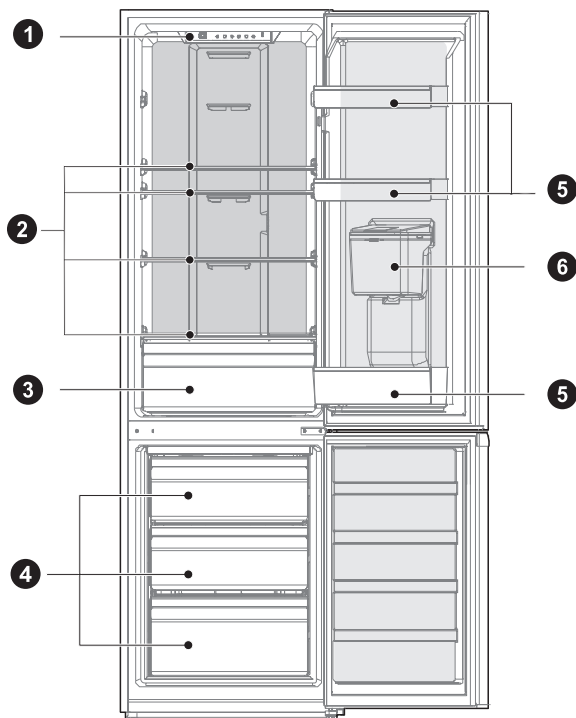
SCRISOARE DE MULȚUMIRE	01
SPECIFICAȚII	02
PREZENTARE PRODUS.....	03
INSTALARE PRODUS	04
INSTRUCȚIUNI DE UTILIZARE	11
CURĂȚARE ȘI ÎNTREȚINERE	15
DEPANARE.....	17
ANEXĂ	19

SPECIFICAȚII

Model produs	MDRB380FGE SERIES
Volum de Stocare a Alimentelor Proaspete	199L
Volum de Stocare a Alimentelor Congelate	71L
Tip de Dezghețare	Dezghețare automată
Timp de Creștere Al Temperaturii	7h
Capacitate de Înghețare	3,5kg/24h
Tensiune Nominală	220-240V-
Tensiune Nominală	0,6A
Dimensiuni Generale (Î X G X A)	1800x545x625mm

PREZENTARE PRODUS

Denumire componente



- | | | | |
|---|-------------------------------|---|---------------------------|
| 1 | Illuminare LED | 4 | Sertar |
| 2 | Raft | 5 | Raftul ușii |
| 3 | Cutie pentru fructe si legume | 6 | Dozator de apă (opțional) |

RO

ATENȚIE

Imaginea de mai sus este doar pentru referință. Configurarea actuală va depinde de produsul fizic sau de declarațiile distribuitorului.

INSTALARE PRODUS

Instrucțiuni de Instalare

Pentru aparate frigorifice cu clasă climatică

- În funcție de clasa climatică, acest aparat frigorific este destinat să fie folosit în intervale de temperatură ambiantă, așa cum este specificat în tabelul următor.
- Clasa climatică este găsită pe plăcuța cu date tehnice. Există posibilitatea ca produsul să nu funcționeze cum trebuie la temperaturi din afara intervalului specificat.
- Puteți să găsiți clasa climatică pe eticheta produsului.

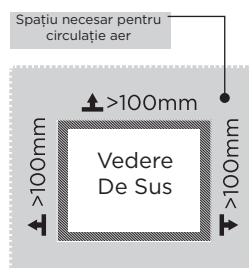
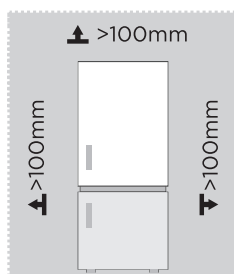
Interval efectiv de temperatură

- Produsul este conceput să funcționeze normal în intervalul de temperatură specificat de clasa sa.

Clasă	Simbol	Interval temperatură ambiantă °C	
		IEC 62552 (ISO 15502)	ISO 8561
Temperat-exitins	SN	+ 10 la + 32	+ 10 la + 32
Temperat	N	+ 16 la + 32	+ 16 la + 32
Subtropical	ST	+ 16 la + 38	+ 18 la + 38
Tropical	T	+ 16 la + 43	+ 18 la + 43

Dimensiuni și Distanțe

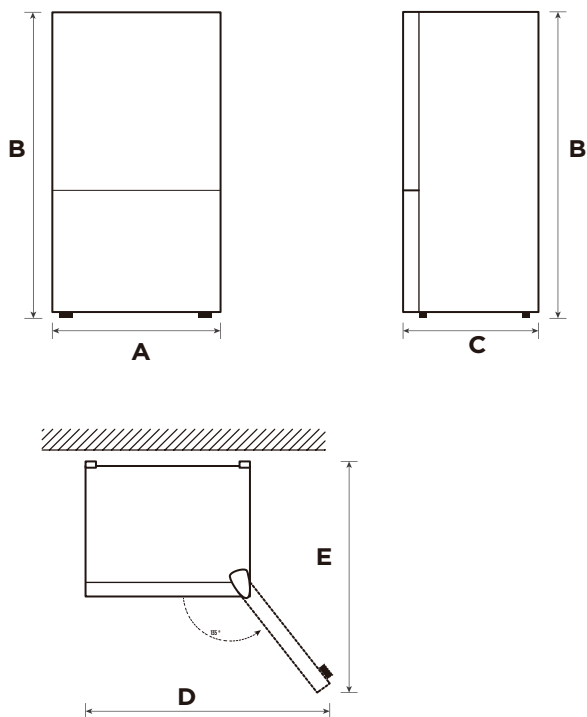
- O distanță prea mică față de obiectele adiacente poate să ducă la degradarea capacității de înghețare și la creșterea costurilor cu energia. Lăsați peste 100 mm de spațiu liber față de fiecare perete adiacent atunci când instalați aparatul.



ATENȚIE

Imaginea de mai sus este doar pentru referință. Configurarea actuală va depinde de produsul fizic sau de declarațiile distribuitorului.

Diagrama necesarului de spațiu (atunci când ușa este deschisă și când este închisă)



Lățime	Înălțimea Totală	Adâncime	Lățime cu ușile deschise la 135°	Adâncime cu ușile deschise la 135°
A	B	C	D	E
545	1800	625	820	1070

RO

Notificare: Toate dimensiunile sunt în mm



Picioare pentru nivelare

Pentru a se evita vibrațiile, unitatea trebuie să fie la nivel.

Dacă este necesar, reglați șuruburile pentru nivelare ca să compensați podeaua neuniformă.

Partea din față trebuie să fie un pic mai sus decât cea din spate pentru a ajuta la închiderea ușii.

Șuruburile pentru nivelare pot fi rotite ușor prin înclinarea ușoară a carcasei.

Rotiți șuruburile pentru nivelare în sens invers acelor de ceasornic  ca să ridicați unitatea, în sensul acelor de ceasornic  ca să o coborâți.

Mutarea aparatului

1. Înainte de a muta frigiderul, scoateți toate obiectele din interior, scoateți ștecherul.
2. Fixați cu bandă adezivă pereții despărțitori din sticlă, suportul pentru legume, sertarele camerei de congelare etc., și strângeți picioarele de nivelare; închideți ușile și sigilați-le cu bandă adezivă.
3. Mutați cu atenție aparatul cu ajutorul a mai mult de două persoane. În timpul mutării, aparatul nu trebuie să fie așezat excesiv cu susul în jos sau orizontal, ori vibrat; înclinarea în timpul mutării nu trebuie să fie mai mare de 45°.
4. După instalarea aparatului, conectați ștecherul la o priză pentru al porni.

ATENȚIE

Precauții înainte de operare:

Frigiderul trebuie să fie deconectat de la curent înainte de a se face modificări.

Se recomandă să se ia precauții pentru a preveni orice rănire personală.

Amplasare

- Înainte de utilizare, îndepărtați toate materialele de ambalare, inclusiv pernele de jos, plăcuțele din spumă și benzile din interiorul frigiderului; rupeți folia de protecție de pe ușile și corpul frigiderului.
- Păstrați departe de căldură și evitați lumina directă a soarelui. Nu așezați congelatorul în locuri umede sau apoase pentru a preveni rugină sau reducerea efectului izolator.
- Nu pulverizați și nu spălați frigiderul; nu puneți frigiderul în locuri umede, ușor de stropit cu apă pentru a nu afecta proprietățile de izolare electrică a frigiderului.
- Frigiderul trebuie așezat într-un loc interior bine ventilat; terenul trebuie să fie plat și rezistent (rotiți spre stânga sau spre dreapta pentru a regla roțița pentru nivelare, dacă este instabil).

Schimbarea ușii din dreapta în stânga (opțional)

În funcție de locul în care intenționați să utilizați frigiderul, s-ar putea să găsiți mai convenabil să inversați poziția ușii.

ATENȚIE

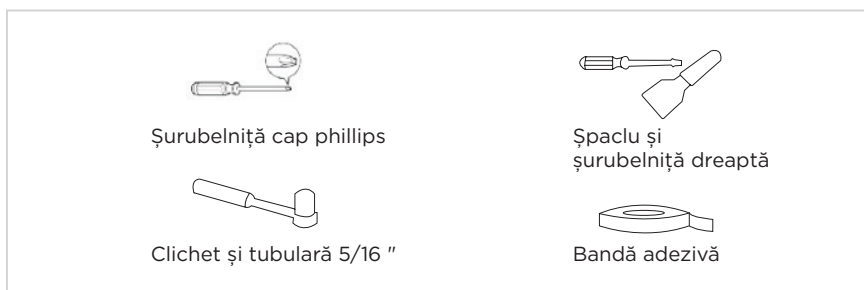
ATENȚIE: Pentru a evita accidentarea dumneavoastră sau a proprietății, vă recomandăm să solicitați ajutorul cuiva în timpul procesului de inversare a ușii.

Pregătirea pentru inversarea poziției ușii

Veți avea nevoie de: Un șurubelniță standard, o șurubelniță Phillips și cheia imbus inclusă.

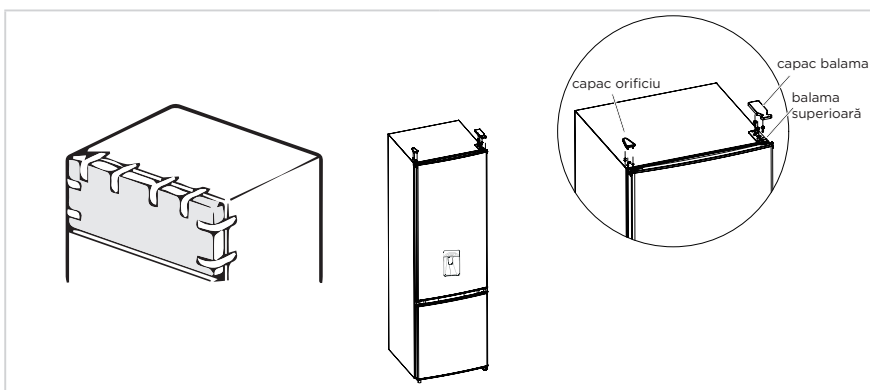
- Asigurați-vă că frigiderul este deconectat și golit.
- Aveți pe cineva disponibil să vă ajute în proces.
- Păstrați toate piesele pe care le scoateți pentru a le reutiliza ulterior.

Uneltele necesare pentru schimbarea ușii:

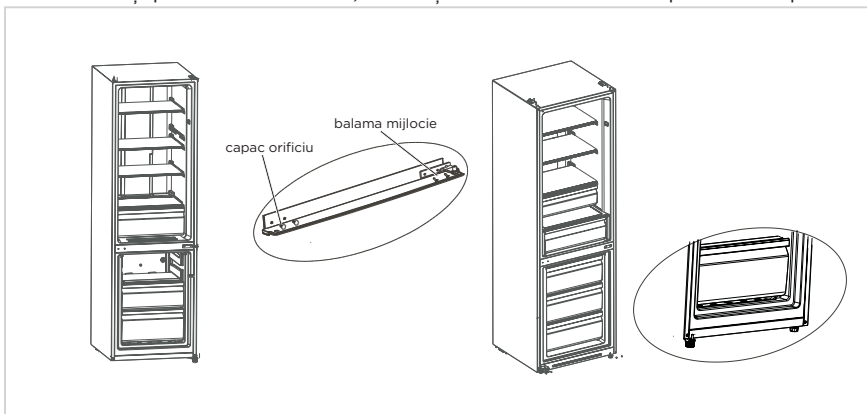


Pași

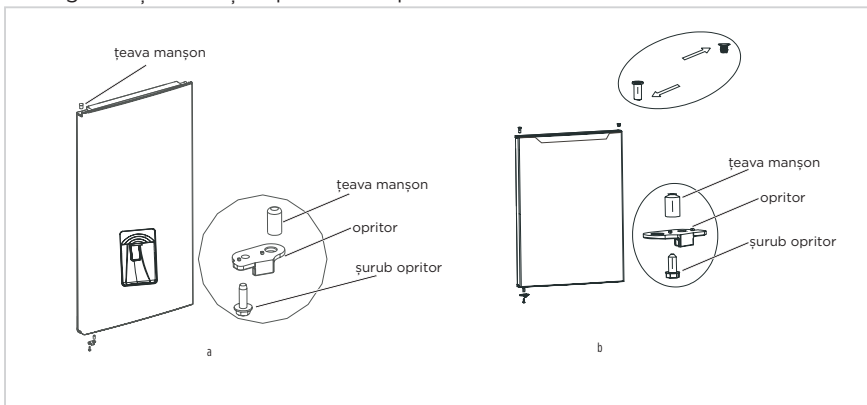
1. Vă rog să opriți acest aparat înainte de efectuarea acestei operațiuni.
Îndepărtați toate alimentele din interiorul căptușelii ușii. Fixați ușa închisă cu bandă adezivă.
2. Demontați capacul orificiului, capacul balamalei și balama superioară.



3. Scoateți ușa camerei de refrigerare, balama de mijloc (folosiți o cheie imbus pentru a scoate șurubul balamalei de mijloc) și capacul orificiului de pe cealaltă parte.
4. Scoateți ușa de la camera de congelare, demontați balamaua inferioară, capacele orificiului și piciorul de nivelare, instalați balamaua inferioară pe cealaltă parte.

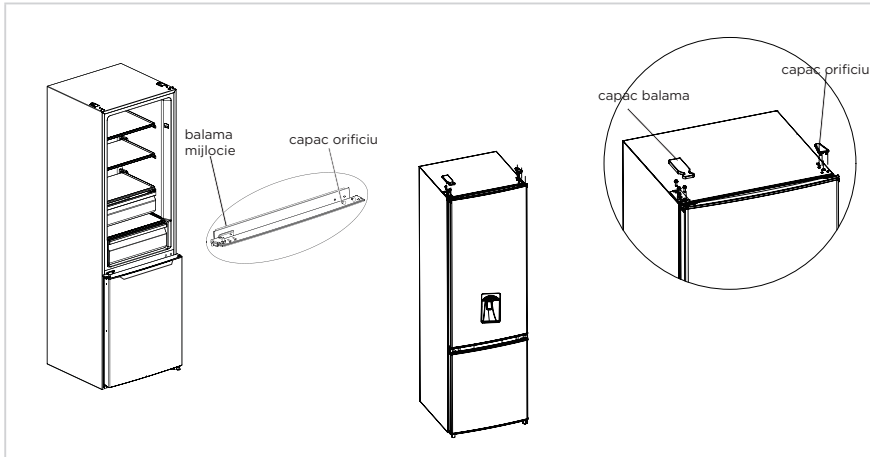


5. a) Demontați opritorul, tubul manșonului de la ușa camerei de refrigerare. Asamblați tubul manșonului și opritorul în partea de jos a ușii din stânga cu un șurub.
- b) Demontați opritorul și tubul manșonului de la ușa camerei de congelare, asamblați tubul manșonului și opritorul în partea de jos a ușii din stânga cu un șurub. Scoateți teava manșonului și capacele orificiilor de pe ușa camerei de congelare și montați-le pe cealaltă parte.



6. Așezați ușa de congelare pe balamaua inferioară și instalați balamaua din mijloc și capacele de la orificii.
7. Așezați ușa camerei de refrigerare pe balamaua din mijloc apoi instalați balamaua superioară și capacul balamalei.

8. Așezați ușa camerei de refrigerare pe balamaua din mijloc apoi instalați balamaua superioară și capacul balamalei. Următoarele trebuie confirmate înainte de instalarea capacului balamalei superioare. Șuruburile care fixează balamaua trebuie să fie strânse ferm împotriva suprafeței balamalei pentru a asigura că șurubul nu este deflexionat, după ce balamaua este instalată, asigurați-vă că nu există nicio mișcare.

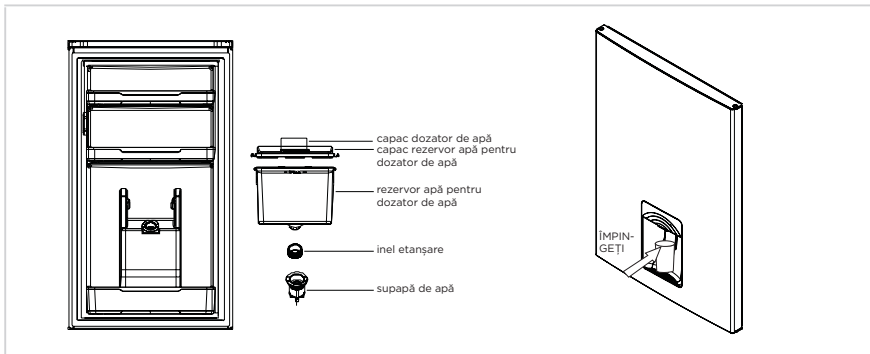


⚠ ATENȚIE

Imaginea de mai sus este doar pentru referință. Configurarea actuală va depinde de produsul fizic sau de declarațiile distribuitorului.

Utilizarea dozatorului de apă (opțional)

1. În primul rând, deschideți capacul de intrare a apei și umpleți cu apă potabilă până la marcajul "MAX", care reprezintă cantitatea maximă de apă.
2. Utilizați paharul pentru a apăsa declanșatorul spre interior, apa va curge, iar când declanșatorul revine la poziția inițială, apa se oprește.
3. Dozatorul de apă poate fi utilizat numai pentru apă pură, nu este potrivit pentru băuturi sau sucuri de fructe.



Schimbarea corpului de iluminat

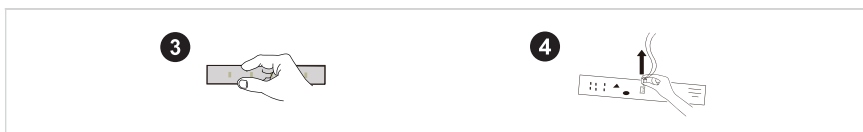
- Orice înlocuire sau întreținere a lămpilor LED trebuie efectuată de către producător, agentul său de service sau o persoană similar calificată. Acest produs conține o sursă de lumină cu clasă de eficiență energetică <F>.

Pași

1. Vă rog înainte de a demonta să scoateți ștecherul.
2. Demontați abajurul folosind o șurubelniță.



3. Dați jos panoul lămpii.
4. Scoateți mufa de conectare.



Conectarea aparatului

Înainte de prima pornire, lăsați frigiderul nemișcat timp de două ore înainte de a-l conecta la sursa de alimentare.

● ATENȚIE

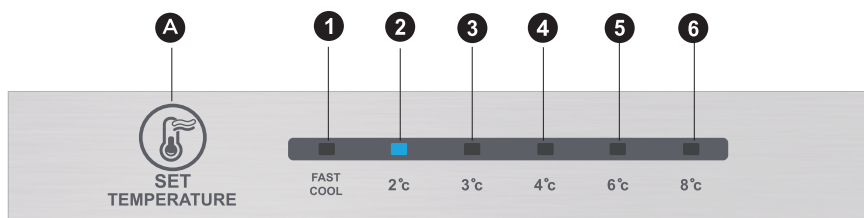
Înainte de a pune alimente proaspete sau congelate, frigiderul trebuie să funcționeze timp de 2-3 ore sau peste 4 ore vara, când temperatura ambiantă este ridicată.

Sfaturi pentru a economisi energie

- Aparatul ar trebui să fie amplasat în zona cea mai răcoroasă a camerei, departe de aparatele producătoare de căldură sau conductele de încălzire și de lumina directă a soarelui.
- Lăsați alimentele calde să se răcească la temperatura camerei înainte de a le pune în aparat. Supraîncărcarea aparatului obligă compresorul să funcționeze mai mult. Alimentele care îngheață prea lent pot pierde calitatea, sau se pot strica.
- Asigurați-vă că înfășurați alimentele în mod corespunzător și ștergeți, uscați recipientele înainte de a le introduce în aparat. Acest lucru reduce acumularea de gheață în interiorul aparatului.
- Coșul de depozitare al aparatului nu trebuie căptușit cu folie de aluminiu, hârtie de ceară sau prosop de hârtie. Căptușelile intervin în circulația aerului rece, ceea ce face ca aparatul să fie mai puțin eficient.
- Organizați și etichetați alimentele pentru a reduce deschiderea ușilor și căutările extinse. Luați cât mai multe articole necesare la un moment dat și închideți ușa cât mai curând posibil.

INSTRUCȚIUNI DE UTILIZARE

Panou de control



ATENȚIE

Imaginea de mai sus este doar pentru referință. Configurarea actuală va depinde de produsul fizic sau de declarațiile distribuitorului.

Taste

A Butonul de Alarm/power off/power on (Alarmă/oprire/pornire)

Ecran de afișare

1 setare temperatura 1

2 setare temperatura 2

3 setare temperatura 3

4 setare temperatura 4

5 setare temperatura 5

6 setare temperatura 6

Afișaj

La pornirea frigiderului, ecranul de afișare (inclusiv lumina butonului) va lumina complet timp de 3 secunde, apoi frigiderul va funcționa în conformitate cu setarea temperaturii 4.

Afișare la funcționare normală

În cazul apariției unei defecțiuni, lumina LED corespunzătoare va afișa un cod de eroare combinat (în afișarea ciclică);

În cazul în care nu există nicio defecțiune, lumina LED va afișa setarea temperaturii curente.

ATENȚIE

Panoul real de control poate să fie diferit de la model la model.

Instrucțiuni de folosire

Setare viteze

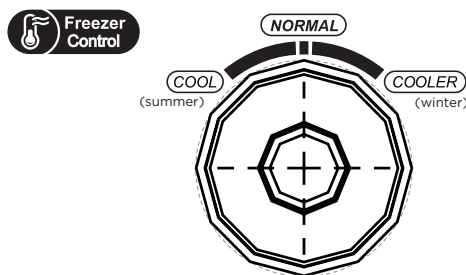
- Setarea temperaturii se va schimba de fiecare dată când apăsați tasta SET (SETATĂ). Apoi, frigiderul va funcționa conform noii valori de setare după 15s. Setare 1 → Setare 2 → Setare 3 → Setare 4 → Setare 5 → Setare 6 → Setare 1 →

Modul de Fast cool (Răcire rapidă):

- Intrare: Mod rapid cooling (rapid de răcire) cu modulație de circulație.
- Funcționare: Indicatorul de răcire rapidă se aprinde, iar frigiderul funcționează la 2°C.
- Modul de Fast cool (Răcire rapidă) este dezactivat automat după 24 ore.
- Funcția de Fast cool (Răcire rapidă) poate fi folosită ca și funcție Super freezing (Super congelare).

Control temperatură în compartimentul congelator

- Temperatura congelării este relativ scăzută în poziția „COOLER (MAI RECE)”, în timp ce temperatura congelării este relativ ridicată în poziția „COOL (RECE)”, astfel, se folosește poziția „NORMAL (NORMALĂ)” în general.
- Vara, când temperatura ambientală este ridicată, temperatura trebuie să fie în intervalul de la „NORMAL (NORMALĂ)” la „COOL (RECE)”. În cazul în care temperatura ambientală este peste 35 ° C, atunci va domina poziția „COOL (RECE)”.
- Iarna, când temperatura ambientală este scăzută, temperatura va fi în intervalul de la „NORMAL (NORMALĂ)” la „COOLER(MAI RECE)”. În cazul în care temperatura ambientală este sub 10 ° C, atunci poziția „COOLER (MAI RECE)” va domina.



Cod de defecțiune

- Următoarele avertismente care apar pe afișaj indică defecțiunile corespunzătoare ale frigiderului.
- Chiar dacă frigiderul poate avea încă funcția de răcire și congelare cu următoarele defecte, utilizatorul trebuie să contacteze un specialist de mentenanță pentru a asigura utilizarea normală a frigiderului.

Cod de Eroare	Descriere Eroare
LED-ul 1 și LED-ul 2 sunt aprinse	Circuit senzor de temperatură din frigider
LED-ul 1 și LED-ul 3 sunt aprinse	Senzor de dezghețare congelator
LED-ul 4 și LED-ul 4 sunt aprinse	Senzor de temperatură ambientală

Compartimentul frigider

- Camera frigider este potrivită pentru depozitarea unei varietăți de fructe, legume, băuturi și alte alimente care vor fi consumate pe termen scurt, timpul de depozitare sugerat este de la 3 la 5 zile.
- Alimentele de gătit nu trebuie introduse în compartimentul frigider decât răcite la temperatura camerei.
- Alimentele se recomandă să fie sigilate înainte de a fi introduse în frigider.
- Rafturile din sticlă pot fi reglate în sus sau în jos pentru un spațiu suficient de depozitare și o utilizare ușoară.

Camera de congelare

- Compartimentul congelator poate menține alimentele proaspete la temperatură scăzută pentru o lungă perioadă de timp și este utilizată în principal pentru depozitarea alimentelor congelate și pentru a face gheață.
- Compartimentul congelator este potrivit pentru depozitarea cărnii, a peștelui, a bilelor de orez și a altor alimente care nu trebuie consumate pe termen scurt.
- Se recomandă tăierea bucăților mari de carne pentru a facilita accesul și pentru o înghețare mai rapidă. Vă rugăm să rețineți că produsele alimentare trebuie consumate în termenul de valabilitate.

Ordine	TIP Compartimente	Temperatura de depozitare țintă. [°C]	Alimente adecvate
1	Frigider	+2 - +8	Ouăle, alimentele gătitе, alimentele ambalate, fructe și legume, produse lactate, prăjituri, băuturile și alte alimente nu sunt potrivite pentru congelare.
2	(***)*-Congelator	≤-18	Fructe de mare (pește, creveți, crustacee), produse acvatice de apă dulce și produse din carne (este recomandat 3 luni, cu cât timpul de păstrare este mai lung, cu atât gustul și nutriția sunt mai rele), sunt potrivite pentru alimente proaspete congelate.
3	***-Congelator	≤-18	Fructe de mare (pește, creveți, crustacee), produse acvatice de apă dulce și produse din carne (este recomandat 3 luni, cu cât timpul de păstrare este mai lung, cu atât gustul și nutriția sunt mai rele), sunt potrivite pentru alimente proaspete congelate.
4	** -Congelator	≤-12	Fructe de mare (pește, creveți, crustacee), produse acvatice de apă dulce și produse din carne (este recomandat 3 luni, cu cât timpul de păstrare este mai lung, cu atât gustul și nutriția sunt mai rele), sunt potrivite pentru alimente proaspete congelate.
5	*-Congelator	≤-6	Fructe de mare (pește, creveți, crustacee), produse acvatice de apă dulce și produse din carne (este recomandat 3 luni, cu cât timpul de păstrare este mai lung, cu atât gustul și nutriția sunt mai rele), sunt potrivite pentru alimente proaspete congelate.
6	O-stea	-6 - 0	Carne proaspătă de porc, vită, pește, pui, unele alimente procesate ambalate etc. (Este recomandat consumul în aceeași zi, de preferință nu mai mult de 3 zile). Alimente procesate parțial încapsulate (alimente care nu pot fi congelate).
7	Rece	-2 - +3	Carne de porc proaspete/congelate, vită, pui, produse acvatice de apă dulce, etc. (7 zile sub 0°C, iar la peste 0°C sunt recomandate pentru consum în acea zi, de preferință nu mai mult de 2 zile). Fructe de mare (sub 0 pentru 15 zile, nu se recomandă păstrarea la temperaturi peste 0°C).
8	Mâncare proaspătă	0 - +4	Carne proaspătă de porc, vită, pește, pui, mâncare gătită etc. (Este recomandat consumul în aceeași zi, de preferință nu mai mult de 3 zile)
9	Vin	+5 - +20	Vin roșu, vin alb, vin spumant etc.

ATENȚIE

vă rog să păstrați alimente diferite în funcție de compartimentele ori de temperatura țintă de depozitare a achiziției dumneavoastră.

CURĂȚARE ȘI ÎNTREȚINERE

Curățare generală

- Praful din spatele frigiderului și pe sol trebuie curățat în timp util pentru a îmbunătăți efectul de răcire și economisirea de energie.
- Verificați garnitura ușii în mod regulat pentru a vă asigura că nu există resturi. Curățați garnitura ușii cu o cârpă moale umezită cu apă cu săpun sau cu detergent diluat.
- Interiorul frigiderului ar trebui curățat regulat pentru a evita mirosul.
- Înainte de a curăța interiorul aparatului vă rugăm să opriți alimentarea cu curent electric și să eliberați interiorul aparatului de alimente bături, rafturi, sertare, etc.
- Folosiți o cârpă moale sau un burete pentru a curăța interiorul frigiderului, cu două linguri de bicarbonat de sodiu și un sfert de apă caldă. Apoi clătiți cu apă și ștergeți. După curățare, deschideți ușa și lăsați-o să se usuce natural înainte de a porni frigiderul.
- Pentru zonele dificil de curățat la frigider (cum ar fi locurile înguste, golurile sau colțurile), se recomandă să le ștergeți în mod regulat cu o cârpă moale, o perie moale, etc. când este necesar, combinat cu unele instrumente auxiliare (cum ar fi bastoane subțiri) pentru a asigura că nu este acumulare de contaminanți sau bacterii în aceste zone.
- Nu folosiți săpun, detergent, praf de curățare, spălător, etc., deoarece acestea pot provoca mirosuri în interiorul frigiderului sau contamina alimentele.
- Curățați rama sticlei, rafturile și sertarele cu o cârpă moale umezită cu apă cu săpun sau cu detergent diluat. Uscați cu o cârpă moale sau natural.
- Ștergeți suprafața exterioară a frigiderului cu o cârpă moale umezită cu apă cu săpun, detergent etc., apoi ștergeți până se usucă.
- Nu utilizați perii dure, sârmă de oțel, perii de sârmă, abrazivi (de exemplu pastele de dinți), solvenți organici (de exemplu alcool, acetonă, ulei de banane etc.), apă fiartă, soluții acide sau alcaline, care pot deteriora suprafața și interiorul frigiderului. Apa clocotită și solvenții organici, cum ar fi benzenul, pot deforma sau deteriora părțile din plastic.
- Nu clătiți direct cu apă sau alte lichide în timpul curățării pentru a evita scurtcircuitele sau afectarea izolației electrice după cufundare.

ATENȚIE

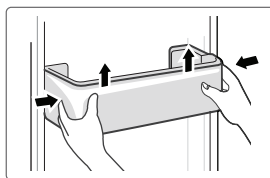
Vă rugăm să deconectați frigiderul pentru decongelare și curățare.

Dezghetare

- Frigiderul funcționează pe baza principiului de răcire a aerului și are astfel funcția de decongelare automată. Gheața formată datorită schimbării sezonului sau temperaturii poate fi îndepărtată manual prin deconectarea aparatului de la alimentarea electrică și prin îndepărtarea cu acesteia cu un prosop uscat.

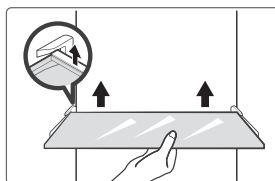
Curățare tavă ușă

- Conform direcției săgeții din imaginea de mai jos, folosiți ambele mâini pentru a prinde tava și a o împinge în sus, apoi o veți putea îndepărta.
- După ce tava înlăturată a fost îndepărtată, puteți să-i ajustați înălțimea conform cerințelor dvs.



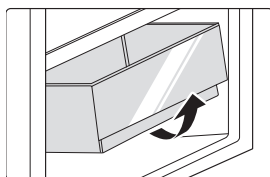
Curățare raft din sticlă

- Dat fiind faptul că partea cea mai interioară a căptușelii frigiderului care face contact cu rafturile are un opritor, trebuie să ridicați rafturile vertical pentru a le putea scoate.
- Ajustați sau curățați rafturile în funcție de nevoile dvs.



Curățarea sertarului pentru legume

1. Scoateți conținutul din sertar. Țineți sertarul pentru legume de mâner apoi trageți-l complet până când acesta se oprește.
2. Ridicați sertarul pentru legume apoi scoateți-l prin tragere afară.



Ieșire din funcțiune

Pana de curent electric:

Alimentele pot fi păstrate pentru câteva ore chiar și pe timpul verii în caz de pană de curent; este recomandat să se reducă frecvența cu care ușa frigiderului este deschisă și să nu se pună alimente proaspete în frigider.

Neutilizare îndelungată:

Aparatul trebuie deconectat și apoi curățat; apoi ușile sunt lăsate deschise pentru a preveni mirosul.

Mutarea:

Înainte de a muta frigiderul, scoateți toate obiectele din el, fixați părțile din sticlă, compartimentul pentru legume, congelatorul, sertarele, etc. Cu scoci și luminați picioarele acestuia, închideți ușile și fixați-le cu scoci. În timpul deplasării, aparatul nu trebuie așezat cu susul în jos, orizontal sau vibrat; înclinația în timpul mișcării nu trebuie să depășească 45°.

● ATENȚIE

Aparatul ar trebui să funcționeze continuu, odată pornit. În mod general, operarea aparatului nu trebuie întreruptă, deoarece poate rezulta la o durată de viață mai scurtă a acestuia.

DEPANARE

Următoarele probleme simple pot fi soluționate de către utilizator. În cazul în care problemele nu sunt rezolvate, vă rog să sunați la departamentul de service post-vânzare.

Problemă	Cauză posibilă
Nefuncționare	• Verificați dacă aparatul este conectat la curent sau dacă ștecherul are un contact bun
	• Verificați dacă tensiunea de alimentare este prea mică
	• Verificați dacă există o pană de curent sau protecțiile circuitelor parțiale au fost declanșate
Miros	• Alimentele care au miros trebuie să fie împachetate etanș
	• Verificați dacă există vreun aliment stricat
	• Curățați interiorul frigiderului
Funcționarea îndelungată a compresorului	• Este un fenomen normal ca frigiderul să funcționeze pe o perioadă mai lungă vara
	• Când temperatura ambientală este ridicată nu este sugerat să aveți prea multă mâncare în aparat în același timp
	• Alimentele trebuie să se răcească înainte de a fi plasate în aparat
	• Ușile sunt deschise prea des
Lumina nu se aprinde	• Verificați dacă frigiderul este conectat la sursa de alimentare și dacă iluminarea este deteriorată
	• Asigurați-vă că becul este înlocuit de către un specialist
Ușa nu se poate închide corect	• Ușa este blocată din cauza pachetelor cu alimente. Prea multă mâncare este plasată
	• Frigiderul este înclinat.
Zgomote puternice	• Verificați dacă podeaua este nivelată și dacă frigiderul este plasat stabil
	• Verificați dacă accesoriile sunt plasate în locații adecvate

Problemă	Cauză posibilă
Garnitura ușii nu se închide ermetic	<ul style="list-style-type: none"> • Îndepărtați obiectele străine de pe garnitura ușii • Pentru restaurare încălziți garnitura ușii apoi răciți-o (sau suflați-o cu un uscător electric ori folosiți un prosop fierbinte pentru încălzire)
Tava cu apă se revarsă	<ul style="list-style-type: none"> • Este prea multă mâncare în cameră ori alimentele depozitate conțin prea multă apă, ceea ce duce la o dezghețare puternică • Ușile nu sunt închise în mod corespunzător, rezultând îngheț datorită intrării aerului și a apei crescute din cauza dezghețului
Carcasă caldă	<ul style="list-style-type: none"> • Căldura condensatorului încorporat este disipată prin carcasă, ceea ce este normal Când carcasa devine fierbinte din cauza temperaturii ambientale ridicate, din cauză că s-au depozitat prea multă alimente sau oprirea compresorului este dezactivată, asigurați o ventilație bună pentru a ușura disiparea căldurii
Condensarea suprafeței	<ul style="list-style-type: none"> • Condensarea pe suprafața exterioară și a garniturilor ușii frigiderului este normală atunci când umiditatea ambientală este prea mare. Ștergeți pur și simplu condensul cu un prosop curat.
Zgomot anormal	<ul style="list-style-type: none"> • Buzer: Compresorul poate produce zgomote în timpul funcționării, iar zgomotele sunt mari, în special la pornire sau oprire. Este normal. • Scârțâit: Agentul frigorific care curge în interiorul aparatului poate produce scârțâituri, ceea ce este normal.

ANEXĂ

Special pentru noul standard European

Piesele comandate din următorul tabel pot fi cumpărate de la canalul furnizorului de servicii

Piesă comandată	Furnizat de	Timp necesar minim pentru Furnizare
Termostate	Personal profesional de întreținere	Cel puțin 7 ani de la lansarea ultimului model pe piață
Senzori de Temperatura	Personal profesional de întreținere	Cel puțin 7 ani de la lansarea ultimului model pe piață
Plăci de circuite imprimate	Personal profesional de întreținere	Cel puțin 7 ani de la lansarea ultimului model pe piață
Surse de lumină	Personal profesional de întreținere	Cel puțin 7 ani de la lansarea ultimului model pe piață
Mânere uși	Reparatori profesioniști și utilizatori finali	Cel puțin 7 ani de la lansarea ultimului model pe piață
Balamale de ușă	Reparatori profesioniști și utilizatori finali	Cel puțin 7 ani de la lansarea ultimului model pe piață
Tăvi	Reparatori profesioniști și utilizatori finali	Cel puțin 7 ani de la lansarea ultimului model pe piață
Coșuri	Reparatori profesioniști și utilizatori finali	Cel puțin 7 ani de la lansarea ultimului model pe piață
Garnituri uși	Reparatori profesioniști și utilizatori finali	Cel puțin 10 ani de la lansarea ultimului model pe piață

Stimate Client

1. Dacă vreți să returnați sau să înlocuiți produsul, vă rugăm, să luați legătura cu magazinul de unde l-ați achiziționat.

(Nu uitați să aduceți factura produsului)

2. Dacă produsul dvs se strică și necesită reparații, vă rugăm să contactați furnizorul de service.

ATENȚIE

Informațiile despre model din baza de date a produsului, precum și identificatorul modelului, pot fi obținute printr-un link web accesat prin scanare cod QR, dacă acesta există, pe eticheta de eficiență energetică a produsului.

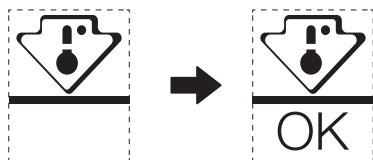
Pentru mai multe informații despre eficiența energetică a aparatului, accesați <https://ec.europa.eu> apoi căutați folosind numele modelului.

Numele modelului poate să fie găsit pe eticheta de identificare a aparatului.

Cea mai rece zonă din frigider

OPȚIONAL: Indicator temperatură-OK

- Indicatorul de temperatură OK poate să fie folosit pentru a determina temperaturi sub +4°C. Reduceți treptat temperatura în cazul în care semnul nu indică „OK”.



- Pentru asigurarea temperaturii în această zonă, să nu modificați poziționarea raftului. La frigiderule cu aer forțat (dotate cu ventilator ori modele No Frost (Nu Îngheț)), simbolul celei mai reci zone nu este reprezentat pentru că temperatura din interior este omogenă.

Setare indicator temperatură

- Pentru a vă ajuta să vă configurați bine frigiderul, acesta este echipat cu un indicator de temperatură care va monitoriza temperatura medie din zona cea mai rece.
- ATENȚIONARE: Acest indicator este destinat să funcționeze doar cu frigiderul dumneavoastră, să nu îl folosiți în alt frigider (de fapt, zona cea mai rece nu este aceeași) ori pentru orice altă utilizare.

Verificarea temperaturii în zona cea mai rece

- Cu ajutorul indicatorului de temperatură, puteți să verificați în mod regulat dacă temperatura zonei cele mai reci este corectă. Într-adevăr, temperatura internă a frigiderului depinde de mai mulți factori cum ar fi temperatura ambiantă a încăperii, cantitatea de alimente depozitate și frecvența deschiderii ușii. Luați în considerare acești factori atunci când configurați dispozitivul.
- Când indicatorul arată « OK », înseamnă că termostatul dumneavoastră este bine reglat iar temperatura internă corectă.
- Dacă indicatorul de temperatură devine ALB, înseamnă că temperatura este prea mare; în cazul acesta, măriți setarea de control a temperaturii frigiderului apoi așteptați 12 ore înainte de a face o nouă inspecție vizuală a indicatorului. Este posibil ca indicatorul de temperatură să devină ALB după un timp atunci când au fost introduse alimente proaspete ori ușa a fost lăsată deschisă.

БЛАГОДАРСТВЕНО ПИСМО

Благодарим ви, че избрахте Midea! Преди да използвате новия си продукт от Midea, моля, прочетете внимателно това ръководство, за да сте сигурни, че знаете как да работите безопасно с възможностите и функциите, които предлага новият ви уред.

СЪДЪРЖАНИЕ

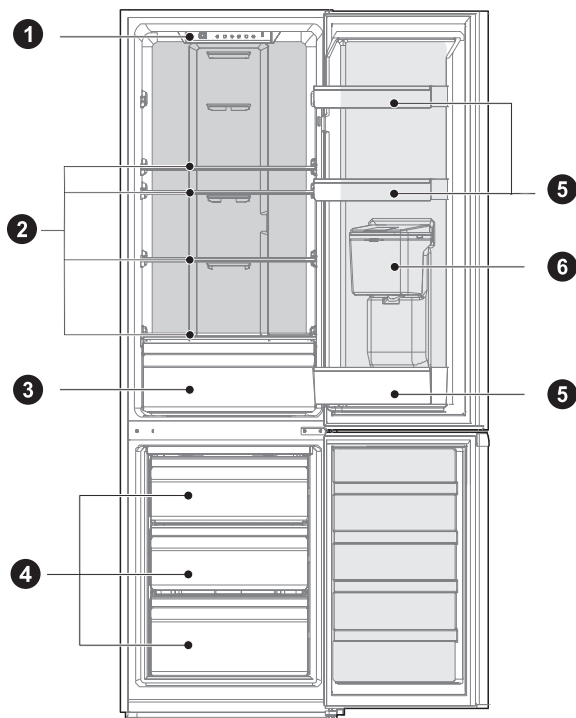
БЛАГОДАРСТВЕНО ПИСМО.....	01
СПЕЦИФИКАЦИИ	02
ОБЩ ПРЕГЛЕД ПРОДУКТА	03
МОНТАЖ НА ПРОДУКТА.....	04
ИНСТРУКЦИЯ ЗА ЕКСПЛОАТАЦИЯ	11
ПОЧИСТВАНЕ И ПОДДРЪЖКА	15
ОТСТРАНЯВАНЕ НА ПРОБЛЕМИТЕ	17
ПРИЛОЖЕНИЕ.....	19

СПЕЦИФИКАЦИИ

Модел на продукта	MDRB380FGE SERIES
Размер на Отделение за Свежа Храна	199L
Размер на Отделение за Замразена Храна	71L
Тип на Размразяване	Автоматично размразяване
Време за Покачване на Температурата	7h
Капацитет на Фризер	3,5kg/24h
Номинално Напрежение	220-240V-
Измерено Напрежение	0,6A
Общи Размери (В x Ш x Д)	1800x545x625mm

ОБЩ ПРЕГЛЕД ПРОДУКТА

Наименования на компонентите



1 LED осветление

2 Рафт

3 Кутия за плодове и зеленчуци

4 Чекмедже

5 Рафт на врата

6 Диспенсър за вода
(незадължителни)

BG

ВНИМАНИЕ

Картинката горе е примерна. Реалната конфигурация зависи от физическия продукт или изявление от дистрибутора.

МОНТАЖ НА ПРОДУКТА

Инструкция за Монтаж

За хладилни уреди с климатичен клас

- В зависимост от климатичния клас, този хладилен уред е предназначен за използване при температурни диапазони на околната среда така, както е посочено в следващата таблица.
- Климатичният клас може да се види на табелката с данни. Уредът може да не работи правилно при температури извън посочения диапазон.
- Можете да намерите информация за климатичния клас на етикета на продукта.

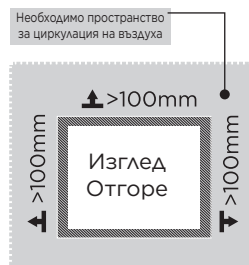
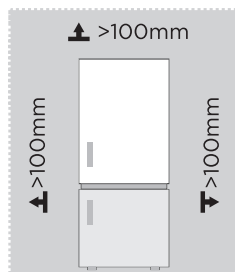
Ефективен температурен диапазон

- Продуктът е проектиран да работи нормално в температурния диапазон, който се определя от класа му.

Клас	Символ	Обхват на околната температура ° C	
		IEC 62552 (ISO 15502)	ISO 8561
Продължителна температура	SN	+ 10 до + 32	+ 10 до + 32
Темперирайте	N	+ 16 до + 32	+ 16 до + 32
Субтропичен	ST	+ 16 до + 38	+ 18 до + 38
Тропичен	T	+ 16 до + 43	+ 18 до + 43

Размери и Отстояния

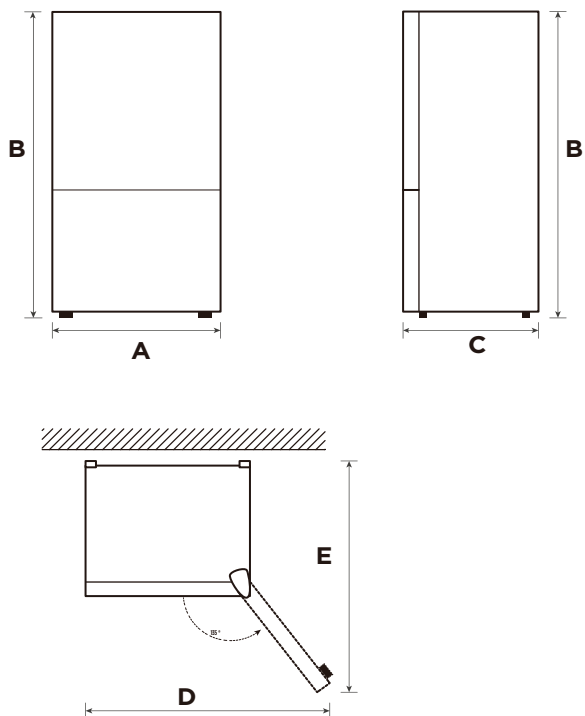
- Твърде малкото разстояние от съседни предмети може да доведе до влошаване на капацитета за замразяване и до повишени разходи за електроенергия. Оставете над 100 мм разстояние от всяка съседна стена, когато монтирате уреда.



ВНИМАНИЕ

Картинката горе е примерна. Реалната конфигурация зависи от физическия продукт или изявление от дистрибутора.

Диаграма относно необходимото пространство (при отворена и при затворена врата)



Ширина	Обща Височина	Дълбочина	Широчина отварящи се врати на 135°	Дълбочина отварящи се врати на 135°
A	B	C	D	E
545	1800	625	820	1070

BG

Забележка: Всички размери са в мм



Нивелиращи крачета

За да избегнете вибрации, устройството трябва да бъде нивелирано.

При необходимост регулирайте нивелиращите винтове, за да компенсирате неравния пода.

Предната част трябва да е малко по-висока от задната, което помага при затварянето на вратата.

Нивелиращите винтове могат да се завъртят лесно при леко накланяне на уреда.

Завъртете нивелиращите винтове обратно на часовниковата стрелка , за да повдигнете уреда или по посока на часовниковата стрелка , за да го спуснете.

Преместване на уреда

1. Преди да преместите хладилника, извадете всички предмети отвътре, изключете щепсела от електрическата мрежа.
2. Фиксирайте стъклените прегради, държача за зеленчуци, чекмеджетата на камерата за замразяване и др. с лента и затегнете нивелиращите крачета; затворете вратите и ги уплътнете с лента.
3. Преместете внимателно уреда, като за целта са необходими повече от двама души. По време на преместване уредът не трябва да се поставя излишно надолу или хоризонтално, нито да се разклаща; наклонът по време на преместване не трябва да е по-голям от 45°.
4. След като инсталирате уреда, включете щепсела в контакта, за да включите уреда.

ВНИМАНИЕ

Предпазни мерки преди извършване на действието:

Преди да правите промени, хладилникът трябва да бъде изключен от захранването. Трябва да се вземат предпазни мерки, за да се предотвратят всякакви лични наранявания.

Поставяне

- Преди употреба премахнете всички опаковъчни материали, включително дънните подложки, подложките от пяна и лентите вътре в хладилника. Махнете защитното фолио на вратите и корпуса на хладилника.
- Дръжте далеч от топлина и избягвайте директна слънчева светлина. Не поставяйте фризера на влажни и мокри места за да избегнете ръждясване.
- Не пръскайте и не мийте хладилника; не поставяйте хладилника на влажни места и такива, на които може лесно да бъде напръскан от вода, за да не се повреди електрическите изолиращи качества на хладилника.
- Хладилника трябва да е поставен в добре вентилирана стая; пода трябва да е нивелиран и стабилен (завъртете наляво или надясно за да настроите колелцата и да нивелирате ако е нестабилно).

Смяна на вратата отдясно наляво (незадължителни)

В зависимост от мястото, където планирате да използвате хладилника, може да е по-удобно да обърнете позицията на вратата.

ВНИМАНИЕ

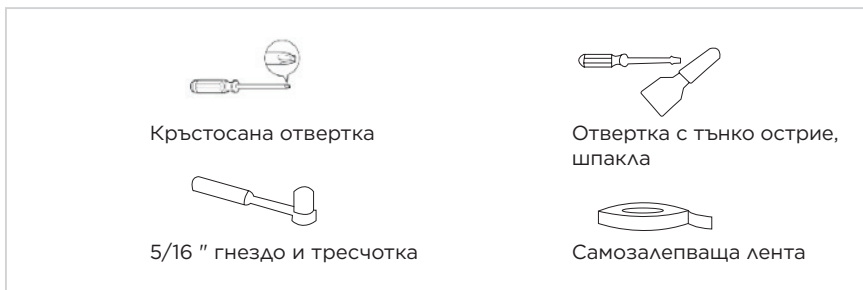
ВНИМАНИЕ: За да избегнете нараняване на себе си или на имуществото си, препоръчваме някой да ви помага по време на процеса на обръщане на вратата.

Подготовка за промяна на позицията на вратата

Необходими са ви: Стандартна отвертка, кръстата отвертка и включеният в комплекта шестограмен ключ.

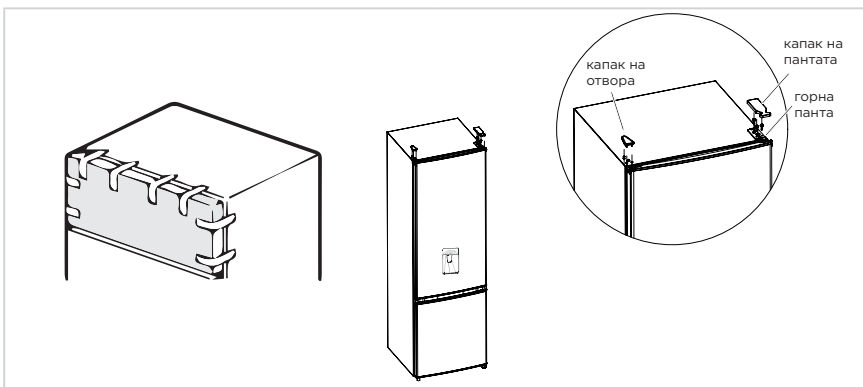
- Уверете се, че хладилникът ви е изключен от електрическата мрежа и е празен.
- Имайте на разположение човек, който да ви помогне в процеса.
- Запазете всички демонтирани части, за да ги използвате отново по-късно.

Необходими инструменти за смяна на вратата:

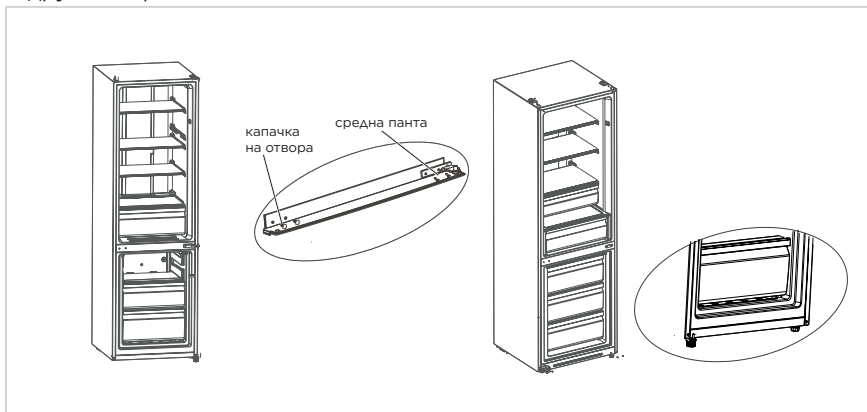


Стъпка

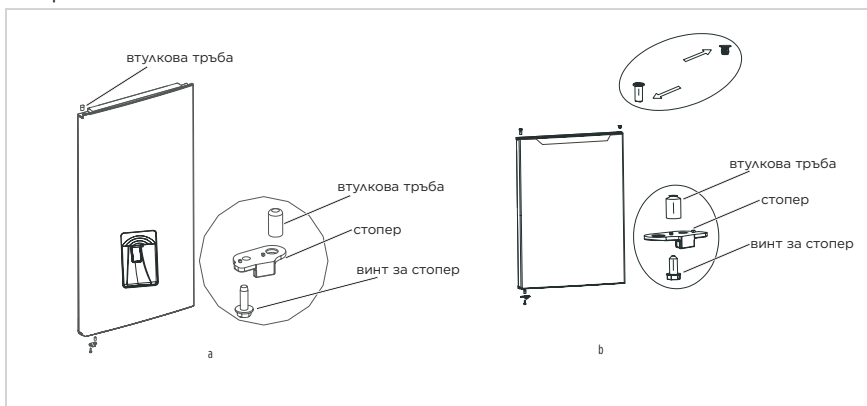
1. Моля, изключете този уред, преди извършване на това действие.
Отстранете всички хранителни продукти от вътрешната част на вратата.
Залепете вратата с тиксо.
2. Демонтирайте капака на отвора, капака на пантата и горната панта.



3. Свалете вратата на хладилната камера, средната панта (използвайте гаечен ключ, за да отстраните винта на средната панта) и капачката на отвора от другата страна.
4. Свалете вратата на камерата за замразяване, демонтирайте долната панта, капачките на отворите, нивелиращото краче, монтирайте долната панта от другата страна.



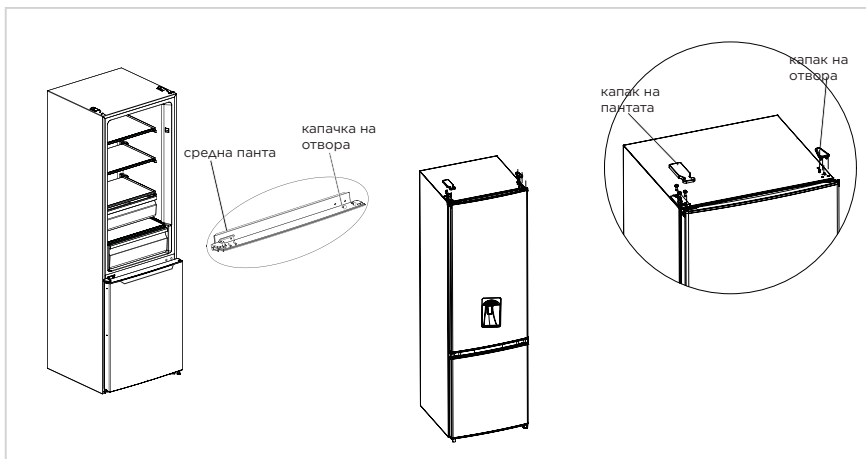
5. а) Демонтирайте тапата, втулковата тръба на вратата на хладилната камера. Сглобете втулковата тръба и тапата в долната лява част на вратата с винт.
 б) Демонтирайте стопера и втулката от дясната страна на вратата на камерата за замразяване, монтирайте втулката и стопера в долната лява част на вратата с помощта на винт. Свалете втулковата тръба и капачките на отворите на вратата на камерата за замразяване и я монтирайте от другата страна.



6. Поставете вратата на фризерната камера на долната панта и монтирайте средната панта и капачките на отворите.
7. Поставете вратата на хладилната камера на средната панта и монтирайте горната панта и капака на пантата.

8. Поставете вратата на хладилната камера на средната панта и монтирайте горната панта и капака на пантата.

Преди да монтирате капака на горната панта, трябва да потвърдите следното. Винтовете, които държат пантата, трябва да бъдат плътно притиснати към повърхността на пантата, за да се гарантира, че винтът не е разместен. След като пантата е монтирана, се уверете, че няма разклащане.

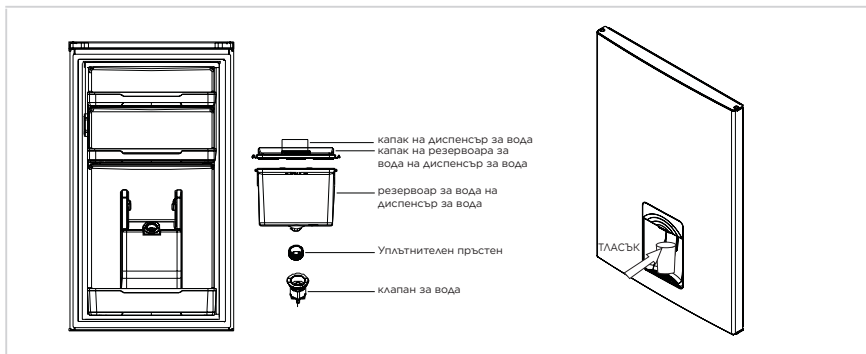


ВНИМАНИЕ

Картинката горе е примерна. Реалната конфигурация зависи от физическия продукт или изявление от дистрибутора.

Използване на диспенсъра за вода (незадължителни)

1. Първо отворете входния капак за вода, напълнете с питейна вода до "МАХ (МАКС)", отбелязващо максималното количество вода.
2. Използвайте чашата, за да натиснете спусъка към вътрешността, водата ще потече, а когато спусъкът се върне в първоначалното положение, водата ще спре.
3. Диспенсърът за вода може да се използва само за чиста вода, не е подходящ за напитки или плодови сокове.

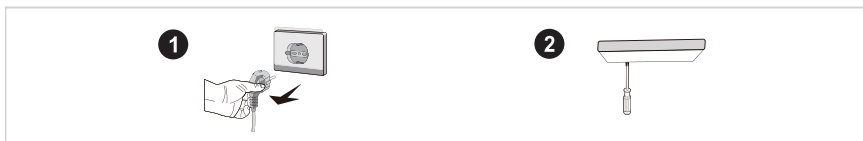


Смяна на светлината

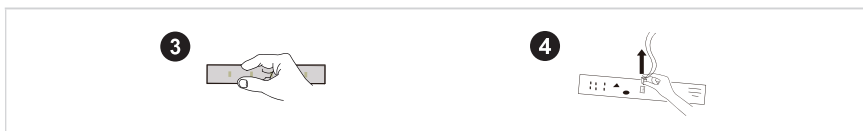
- Всяка подмяна или ремонт на светодиодните лампи трябва да се извършва от производителя, негов сервизен представител или сходно квалифицирано лице. Този продукт съдържа светлинен източник с клас на енергийна ефективност <F>.

Стъпка

1. Моля, извадете щепсела преди отстраняване.
2. Отстранете капака на осветлението с отвертка.



3. Свалете панела на лампата.
4. Отстранете клемата за свързване.



Свързване на уреда

Преди първоначалното пускане, оставете хладилника неподвижен за 2 часа преди свързване към захранването.

ВНИМАНИЕ

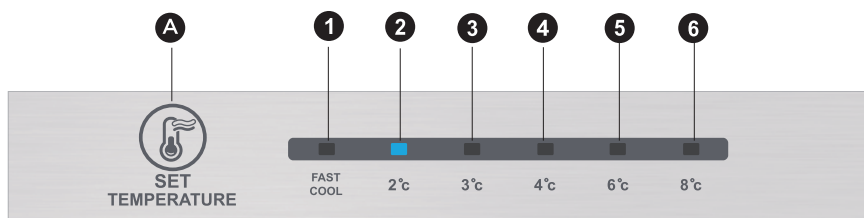
Хладилника трябва да работи 2-3 часа преди да се сложи прясна или замразена храна в него или да работи поне 4 часа през лятото когато околната температура е по-висока.

Съвети за пестене на енергия

- Уреда трябва да е в най-студената част на стаята, далеч от отоплителни уреди и директна слънчева светлина.
- Преди да сложите храна в хладилника, оставете да се охлади до стайна температура. Претоварвайки уреда води до увеличаване на работата на компресора. Храни, които замръзват твърде бавно може да загуби качествата си или да се развали.
- Не забравяйте да опаковате храните правилно и да избършете контейнерите да са сухи, преди да ги поставите в уреда. Това намалява натрупването на замръзване във вътрешността на уреда.
- Дъното на уреда не трябва да има алуминиево фолио, хартия за печене или домакинска хартия. Поставянето на тези неща в уреда ще го направи по-малко ефективен.
- Организирайте и поставете стикери на храната за да намалите развалянето на храната. Изваждайте храна възможно най-бързо, за да намалите времето в което вратата е отворена.

ИНСТРУКЦИЯ ЗА ЕКСПЛОАТАЦИЯ

Контролен панел



ВНИМАНИЕ

Картинката горе е примерна. Реалната конфигурация зависи от физическия продукт или изявление от дистрибутора.

Ключ

- | | |
|----------|---|
| A | Бутон за Alarm/power off/power on (Аларма/изключване/включване на захранването) |
|----------|---|

Екран на дисплея

- | | |
|----------|------------------------------|
| 1 | настройка на температурата 1 |
| 2 | настройка на температурата 2 |
| 3 | настройка на температурата 3 |
| 4 | настройка на температурата 4 |
| 5 | настройка на температурата 5 |
| 6 | настройка на температурата 6 |

Дисплей

Когато включите хладилника, екранът на дисплея (включително светлината на ключа) ще свети изцяло в продължение на 3 секунди, след което хладилникът ще работи според температурна настройка 4.

Дисплей за нормална работа

При възникване на повреда, съответната LED светлина ще даде комбиниран дисплей на кода на повреда (в дисплея за рециклиране);

Когато няма повреда, LED индикаторът показва текущата настройка на температурата.

ВНИМАНИЕ

Контролният панел в действителност може да се различава при различните модели.

Инструкции за работа

Настройка на степента

- Настройката на температурната ще се променя еднократно всеки път, когато натиснете копчето SET (ЗАДАВАНЕ). След това хладилникът ще заработи с новата стойност на настройката след 15 сек.

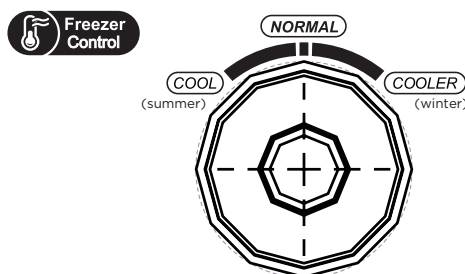
Настройка 1 → Настройка 2 → Настройка 3 → Настройка 4 → Настройка 5 → Настройка 6 → Настройка 1 →

Режим на Fast cool (Бързо охлаждане):

- Въведете: Режим на rapid cooling (бързо охлаждане) с циркулираща модулация.
- Работа: Индикаторът за бързо охлаждане светва и хладилникът работи при температура 2°C.
- Режимът на Fast cool (Бързо охлаждане) е автоматично деактивиран за 24 часа.
- Функцията за Fast cool (Бързо охлаждане) може да се използва като функция за Super freezing (Супер замразяване).

Температурен контрол на камерата

- Температурата на замръзване е относително ниска в позиция "COOLER (ПО-ГОТИНО)", докато температурата на замръзване е относително висока в позиция "COOL (ГОТИНО)", и затова обикновено се използва позиция "NORMAL (НОРМАЛНО)".
- Когато температурата на околната среда е висока през лятото, температурата трябва да бъде в границите от "NORMAL (НОРМАЛНО)" до "COOL (ГОТИНО)". Ако температурата на околната среда е над 35 °C, тогава положението "COOL (СТУДЕНО)" ще има предимство.
- Когато температурата на околната среда е ниска през зимата, температурата трябва да бъде в границите от "NORMAL (НОРМАЛНО)" до "COOLER (ПО-ГОТИНО)". Ако температурата на околната среда е под 10 °C, тогава преобладава позицията "COOLER (ПО-ГОТИНО)".



Код на грешка

- Следните предупреждения се появяват на дисплея, за да индикират проблеми с хладилника.
- Въпреки че хладилникът все пак може да има функция за охлаждане и замразяване със следните неизправности, потребителят трябва да се свърже със специалист по поддръжка за извършване на техническо обслужване, за да се осигури нормалното използване на хладилника.

Код за Грешка	Описание на Грешката
LED 1 и LED 2 светват	Схема на сензора за температура на хладилника
LED 1 и LED 3 светват	Сензор за размразяване на фризера
LED 4 и LED 4 светват	Сензор за температура на заобикалящата среда

Хладилна камера

- Хладилната камера е подходяща за съхранение на различни плодове, зеленчуци, напитки и други храни, които ще бъдат консумирани скоро. Препоръчителното време за съхранение е от 3 дни до 5 дни.
- Готвени храни не бива да се поставят в хладилника преди да се охладят до стайна температура.
- Препоръчително е да херметизирате храната преди да я поставите в хладилника.
- Стъклените рафтове може да се нагласят нагоре или надолу, за да се осигури подходящо пространство и лесна употреба.

Фризер

- Ниската температура във фризерната камера може да запази храната свежа за дълъг период от време и се ползва най-вече за складиране на замразена храна и направата на лед.
- Фризерната камера е подходяща за храни като месо, риба, оризови топки и други храни, които не са за директна консумация.
- Парчета месо е препоръчително да бъдат разделени на малки парчета за по-бързо замразяване и лесен достъп. Моля запомнете, че храните се консумират спрямо срока им на годност.

Поредност	ТИП Отделения	Целева температура на съхранение [°C]	Подходяща храна
1	Хладилник	+2 - +8	Яйца, готвена храна, пакетирана храна, плодове и зеленчуци, млечни продукти, торти, напитки и други храни - не са подходящи за замразяване.
2	(***)* -Фризер	≤-18	Морски дарове (риба, скариди, миди), сладководни продукти и месни продукти (препоръчва се за 3 месеца, колкото по-дълго е времето за съхранение, толкова по-лоши са вкусът и хранителната стойност), подходящи за замразени пресни храни.
3	*** -Фризер	≤-18	Морски дарове (риба, скариди, миди), сладководни продукти и месни продукти (препоръчва се за 3 месеца, колкото по-дълго е времето за съхранение, толкова по-лоши са вкусът и хранителната стойност), подходящи за замразени пресни храни.
4	** -Фризер	≤-12	Морски дарове (риба, скариди, миди), сладководни продукти и месни продукти (препоръчва се за 3 месеца, колкото по-дълго е времето за съхранение, толкова по-лоши са вкусът и хранителната стойност), подходящи за замразени пресни храни.
5	* -Фризер	≤-6	Морски дарове (риба, скариди, миди), сладководни продукти и месни продукти (препоръчва се за 3 месеца, колкото по-дълго е времето за съхранение, толкова по-лоши са вкусът и хранителната стойност), подходящи за замразени пресни храни.
6	O-star	-6 ~ 0	Прясно свинско, говеждо, риба, пиле, някои пакетирани преработени храни и т.н. (Препоръчително е да се консумират в рамките на същия ден, за предпочитане до не повече от 3 дни). Частично капсулирани преработени храни (храни, които не се замразяват).
7	Охлаждане	-2 - +3	Прясно/замразено свинско, телешко, пилешко, сладководни продукти и др. (за 7 дни под 0°C и над 0°C се препоръчва за консумация в рамките на същия ден, за предпочитане не повече от 2 дни). Морски дарове (при под 0 за 15 дни, не се препоръчва да се съхраняват над 0°C).
8	Прясна храна	0 ~ +4	Прясно свинско, телешко, риба, пиле, готвена храна и т.н. (Препоръчително е да се консумира в рамките на същия ден, за предпочитане до не повече от 3 дни)
9	Вино	+5 ~ +20	Червено вино, бяло вино, пенливо вино и др.

ВНИМАНИЕ

моля, съхранявайте различните храни съобразно отделенията или целевата температура на съхранение на закупения от вас.

ПОЧИСТВАНЕ И ПОДДРЪЖКА

Общо почистване

- Прах зад хладилника и на пода трябва редовно да се почиства, за да се подобри охлаждащия ефект и енергоспестяването.
- Проверете вратата често, за да почиствате остатъци. Почиствайте врата с мек, влажен парцал и сапунена вода.
- Вътрешността на хладилника трябва да се чисти често за да се избегне мирис.
- Моля изключете уреда преди почистване, премахнете храна, напитки, рафтове и т.н.
- Използвайте мек парцал или гъба за да изчистите вътрешността на хладилника, с две лъжици сода и хладка вода. След това изплакнете с малко вода и избършете. След почистване, отворете вратата и иставете да изсъхне от самосебеси преди да включите уреда.
- За местата трудни за почистване в хладилника (като тесни процеци), се препоръчва да се използва мека четка и ако е нужни и други пособия за почистване за да се подсигури премахване на бактерии и събиране на мухъл.
- Не използвайте сапун, белина, пудра, спрей и т.н. като те могат да оставят миризми след почистване.
- Изчистете мястото за напитки на вратата на хладилника с сапунена вода и влажен парцал. Чистете с влажен парцал или оставете да изсъхне сам.
- Избършете външната част на хладилника с влажен парцал напоен с сапунена вода, препарат за почистване и т.н и след това избършете.
- Не използвайте твърди четки, чисти стоманени топки, телени четки, абразиви (като паста за зъби), органични разтворители (като алкохол, ацетон, бананово масло и др.), Вряща вода, киселини или алкални предмети, които могат да повредят повърхността на хладилника и интериор. Вряла вода и органични разтворители може да деформират пластмасовите части на уреда.
- Не изплаквайте директно с вода или други течности докато чистите за да избегнете късо съединение.

ВНИМАНИЕ

Моля изключете хладилника за размразяване и почистване.

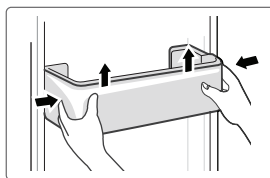
BG

Размразяване

- Хладилника е базиран на принципа на въздушно охлаждане и затова има функция за автоматично размразяване. Скреж, формирана поради смяната на сезона може да трябва да бъде премахната ръчно като изключите уреда и избършете уреда със суха кърпа.

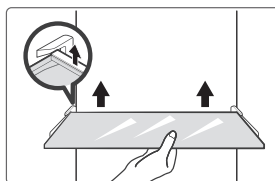
Почистване на таблата на вратата

- Според посоката на стрелката на картинката по-долу, използвайте двете си ръце за да стиснете тавата и да я избутате напред, след което ще можете да я извадите.
- След като измиете тавата, можете да настроите височината според вашите предпочитания.



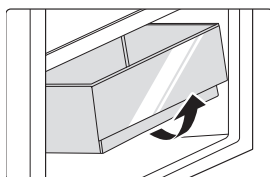
Почистване на стъклен рафт

- В най-вътрешната част, където рафтовете се опират в гърба на хладилника, има стопери, за да извадите рафт трябва да го надигнете леко и да го издърпате.
- Наместете или изчистете рафтовете по начин, по който решите.



Почистване на чекмеджето за зеленчуци

1. Отстранете съдържанието на чекмеджето. Хванете дръжката на чекмеджето за зеленчуци и го изтеглете докрай, докато спре.
2. Повдигнете чекмеджето за зеленчуци нагоре и го извадете, като го издърпате.



Изключване

Спиране на електричеството:

В случай на спиране на тока, дори през лятото, хранителните продукти могат да бъдат запазени за няколко часа в уреда; препоръчва се да не се отваря често вратата и да не се поставя повече храна в уреда.

Дълго време на неизползване:

Уреда трябва да е изключен от контакта и след това изчистен; след това вратите трябва да се оставят отворени за да се предотврати мирис.

Преместване:

Преди преместването на хладилника извадете всички предмети навън, закрепете с тиксо стъклените прегради, поставката за зеленчуци, чекмеджетата на фризерната камера и др. и затегнете нивелиращите крачета; затворете вратите и ги запечатайте с тиксо. По време на местенето уреда не трябва да се обръща наобратно, да бъде подложен на вибрации; наклонянето по време на местене не трябва да бъде повече от 45°.

● ВНИМАНИЕ

Уреда трябва да работи непрекъснато след като веднъж е пуснат. По възможност работата на уреда не трябва да се прекъсва; в противен случай сервисния му живот може да се намали.

ОТСТРАНЯВАНЕ НА ПРОБЛЕМИТЕ

Следващите прости проблеми могат да бъдат разрешени от потребителя. Моля, свържете се с отдела по следпродажбено обслужване, ако проблемите не са решени.

Проблем	Възможна причина
Неработещ уред	• Проверете дали уредът е свързан към захранването или дали щепселът прави добър контакт
	• Проверете дали волтажа не е прекалено нисък
	• Проверете дали не е спрял тока или има паднали бушони
Мирис	• Храните, които изпускат миризми, трябва да бъдат плътно опаковани.
	• Проверете дали има развалена храна
	• Почистете вътрешността на хладилника
Продължителна работа на компресора	• Продължителната работа на компресора е нормална през лятото
	• Когато околната температура е висока, не е желателно да имате твърде много храна в уреда
	• Храната трябва да се охлади, преди да бъде поставена в уреда
	• Вратите се отварят прекалено често
Лампата не светва	• Проверете дали хладилникът е свързан към захранването и дали осветлението не е повредено
	• Свържете се със специалист за смяна на крушката
Вратата не може да се затвори правилно	• Вратата е препълнена с пакети храни. Поставили сте твърде много храна
	• Хладилникът е наклонен.
Силни шумове	• Проверете дали пода е равен и дали хладилника е поставен стабилно
	• Проверете дали аксесоарите са поставени на правилните места

Проблем	Възможна причина
Оплътненията на вратите не могат да херметизират	<ul style="list-style-type: none"> • Премахнете чужди частици от оплътненията • Загрейте уплътнението на вратата и след това го охладете с цел възстановяване (продухайте го с електрическа сешоар или използвайте гореща кърпа за нагриване)
Преливане на тавите за вода	<ul style="list-style-type: none"> • Има твърде много храна в камерата или съхраняваната храна съдържа твърде много вода, в резултат на което става обилно размразяване • Вратите не са затворени правилно, което довежда до заскрежаване заради навлизането на въздух и повече вода заради размразяването
Нагорещяване	<ul style="list-style-type: none"> • Разсейване на топлината на вградения кондензатор през корпуса, което е нормално. Когато корпусът се нагорещи поради висока температура на околната среда, при съхранение на твърде много храна или изключване на компресора, осигурете добра вентилация за улесняване на разсейването на топлината
Повърхностна кондензация	<ul style="list-style-type: none"> • Кондензация може да бъде забелязана по външната част, както и по уплътненията на вратата, когато околната влажност е по-висока. Просто подсушете с чиста кърпа.
Странен шум	<ul style="list-style-type: none"> • Шумене: Леко шумене ще се чува, докато компресора работи, най-вече при започване и спиране на работа. Това е нормално. • Скърцане: Хладилния агент в уреда може да скърце понякога, това е нормално.

ПРИЛОЖЕНИЕ

Специално за новия Европейски стандарт

Поръчаните части в долната таблица могат да бъде получени чрез сервизния доставчик

Поръчана част	Предоставена от	Минимално време, необходимо за Осигуряване
Термостати	Професионален персонал за поддръжка	Най-малко 7 години след пускането на пазара на последния модел
Температурни сензори	Професионален персонал за поддръжка	Най-малко 7 години след пускането на пазара на последния модел
Печатни платки	Професионален персонал за поддръжка	Най-малко 7 години след пускането на пазара на последния модел
Източници на светлина	Професионален персонал за поддръжка	Най-малко 7 години след пускането на пазара на последния модел
Дръжки за врати	Професионални сервиси и крайни потребители	Най-малко 7 години след пускането на пазара на последния модел
Панти на вратите	Професионални сервиси и крайни потребители	Най-малко 7 години след пускането на пазара на последния модел
Тави	Професионални сервиси и крайни потребители	Най-малко 7 години след пускането на пазара на последния модел
Кошници	Професионални сервиси и крайни потребители	Най-малко 7 години след пускането на пазара на последния модел
Уплътнения на врати	Професионални сервиси и крайни потребители	Най-малко 10 години след пускането на пазара на последния модел

Драги потребителю

1. Ако искате да върнете или замените продукт, моля свържете се с магазина, откъдето е закупен.

(Не забравяйте да носите касовата бележка)

2. Ако продукта ви се повреди и има нужда от поправка, моля свържете се с следпродажбен агент.

ВНИМАНИЕ

Информацията за модела в продуктовата база данни, както и неговият идентификатор могат да бъдат получени чрез уеб връзката или чрез сканиране на QR код, ако има такива, върху етикета за енергийна ефективност на продукта.

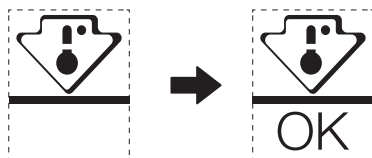
За повече информация относно енергийната ефективност на уреда, посетете <https://es.europa.eu> и потърсете името на модела.

Името на модела можете да откриете на етикета с характеристики на уреда.

Най-студена зона в хладилника

НЕЗАДЪЛЖИТЕЛНИ ОК-температурен индикатор

- ОК-температурният индикатор може да се използва за определяне на температури под +4°C. Постепенно намаляйте температурата, ако знакът не визуализира "ОК".



- За да осигурите температурата в тази зона, не променяйте позицията на рафта. При хладилници с подсилен въздух (оборудвани с вентилатор или модели No Frost (Без Замръзване)) няма символ за най-студена зона, тъй като температурата вътре е хомогенна.

Настройка на индикатора за температура

- За да може да настроите хладилника си добре, той е оборудван с индикатор за температура, който следи средната температура в най-студената зона.
- **ПРЕДУПРЕЖДЕНИЕ:** Този индикатор е предназначен да работи само с вашия хладилник, така че не го използвайте в друг хладилник (всъщност най-студената зона не е същата) или за каквото и да било друго.

Проверка на температурата в най-студената зона

- С температурния индикатор можете да проверявате редовно дали температурата в най-студената зона е правилна. Наистина, вътрешната температура на хладилника зависи от няколко фактора, като например температурата на околната среда в помещението, количеството съхранявана храна и честотата на отваряне на вратата. Вземете под внимание тези фактори, когато настройвате уреда.
- Когато индикаторът показва "ОК", това означава, че вашият термостат е настроен добре и вътрешната температура е правилна.
- Ако индикаторът за температурата стане БЯЛ, това означава, че температурата е твърде висока. В този случай увеличете настройката за контрол на температурата на хладилника и изчакайте 12 часа, преди да извършите нова визуална проверка на индикатора. Когато има поставена прясна храна или когато вратата е оставена отворена, е възможно след известно време индикаторът за температура да стане БЯЛ.

LETRA E FALËNDERIMIT

Faleminderit që zgjodhët produktin Midea! Përpara se të përdorni produktin tuaj të ri Midea, ju lutemi lexojeni plotësisht këtë manual për t'u siguruar që dini t'i përdorni në mënyrë të sigurt veçoritë dhe funksionet që pajisja juaj e re zotëron.

PËRMBAJTJA

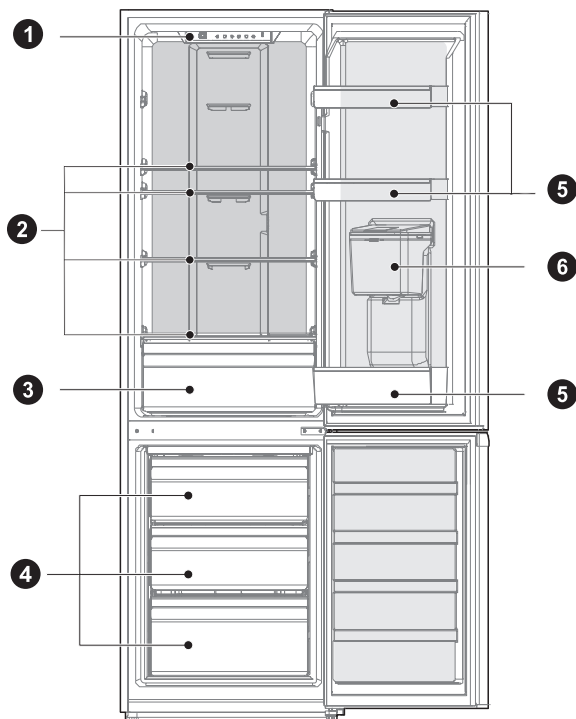
LETRA E FALËNDERIMIT	01
SPECIFIKIMET	02
PËRMBLEDHJA E PRODUKTIT	03
INSTALIMI I PRODUKTIT	04
UDHËZIME PUNIMI	11
PASTRIMI DHE MIRËMBAJTJA	15
ZGJIDHJA E PROBLEMEVE	17
SHTOJCË	19

SPECIFIKIMET

Modeli i produktit	MDRB380FGE SERIES
Volumi i Dhomës Për Ruajtjen e Ushqimit të Freskët	199L
Volumi i Dhomës së Ushqimit të Ngrirë	71L
Tipi i Shkrirjes	Shkrirja automatike
Koha e Rritjes së Temperaturës	7h
Kapaciteti i Ngrirjes	3,5kg/24h
Vlera e Tensionit	220-240V-
Vlera e Rrymës Elektrike	0,6A
Përmasat e Përgjithshme (Lart x Gjer x Thell)	1800x545x625mm

PËRMBLEDHJA E PRODUKTIT

Emrat e përbërësve



1 Ndiriçimi LED

2 Raft

3 Kosh për fruta dhe perime

4 Fioka

5 Sirtarët e dyerve

6 Depozitë uji me vrimë nxjerrëse (opsional)

VINI RE

Fotografia e mësipërme është vetëm për referencë. Konfigurimi i vërtetë do të varet nga produkti fizik ose deklarata nga distributori.

INSTALIMI I PRODUKTIT

Instruksonet e Instalimit

Për pajisjet ftohëse me klasë klimatike

- Në varësi të klasës klimatike, Kjo pajisje ftohëse është projektuar të përdoret në intervalet e temperaturës së mjedisit siç specifikohet në tabelën e mëposhtme.
- Klasa e klimës mund të gjendet në pllakën e specifikimeve. Produkti mund të mos funksionojë siç duhet në temperatura përtej vlerave të specifikuara.
- Klasën e klimës mund ta gjeni në etiketën e produktit.

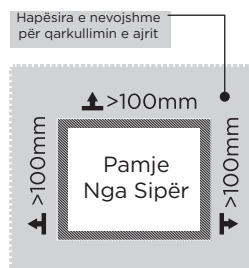
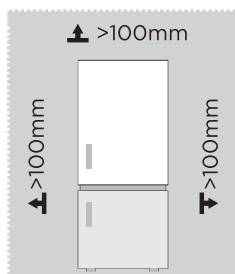
Diapazoni i temperaturave efektive

- Produkti është projektuar për të punuar normalisht brenda intervalit të temperaturës të specifikuar nga parametrat e klasës së tij.

Klasa	Simboli	Diapazoni i temperaturës së mjedisit °C	
		IEC 62552 (ISO 15502)	ISO 8561
Ngrohtë e zgjeruar	SN	+ 10 në + 32	+ 10 në + 32
Ngrohtë	N	+ 16 në + 32	+ 16 në + 32
Subtropikal	ST	+ 16 në + 38	+ 18 në + 38
Tropikal	T	+ 16 në + 43	+ 18 në + 43

Përmasat dhe Hapësirat

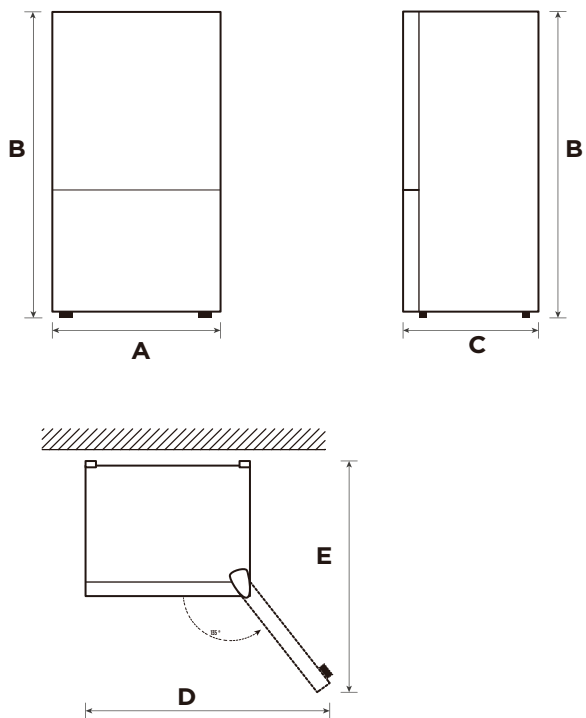
- Distanca shumë e vogël nga objektet ngjitur mund të shpjerë në zvogëlimin e aftësisë ngrirëse dhe në rritjen e kostove të energjisë elektrike. Lini mbi 100 mm hapësirë nga secili mur ngjitur kur instaloni pajisjen.



VINI RE

Fotografia e mësipërme është vetëm për referencë. Konfigurimi i vërtetë do të varet nga produkti fizik ose deklarata nga distributori.

Diagrami i kërkesës për hapësirë (kur dera është e hapur dhe kur dera është e mbyllur)



Gjerësia	Lartësia e Përgjithshme	Thellësia	Gjerësia e hapjes së dverve 135°	Thellësia e hapjes së dverve 135°
A	B	C	D	E
545	1800	625	820	1070

Njoftim: Të gjitha përmasat në mm



Këmbët e nivelimit

Njësia duhet të nivelohet për të shmangur dridhjet.

Nëse është e nevojshme, rregulloni vidhat e nivelimit për të kompensuar dyshe-menë e paniveluar.

Pjesa e përparme duhet të jetë pak më e ngritur se pjesa e pasme për të ndihmuar në mbylljen e derës.

Vidhat e nivelimit mund të rrotullohen lehtësisht duke e anuar paksa strukturën.

Rrotulloni vidhat e nivelimit në drejtim të kundërt të akrepave të orës për të ngritur më  lart njësinë, dhe në drejtim të akrepave të  orës për ta ulur atë.

Lëvizja e pajisjes

1. Përpara se ta lëvizni frigoriferin, nxirrini të gjitha objektet nga aty brenda, hiqeni spinën.
2. Fiksojini ndarjet prej xhami, koshin e perimeve, sirtarët e dhomës së ngrirjes etj. Duke përdorur shiritin dhe duke shtrënguar këmbët e nivelimit mbyllni dyert dhe fiksojini ato me shirit.
3. Lëvizni me kujdes pajisjen duke angazhuar më shumë se dy persona. Gjatë lëvizjes, pajisja nuk duhet të vendoset edhe aq tepër me kokë poshtë ose horizontalisht, apo të lëkundet; pjerrësia gjatë lëvizjes nuk duhet të jetë më e madhe se 45°.
4. Pas instalimit të pajisjes, futeni spinën elektrike në një prizë për të ndezur pajisjen.

VINI RE

Masat paraprake para vënies në punë:

Përpara se të bëni ndryshime, frigoriferi duhet të shkëputet nga rryma.

duhen marrë masa paraprake për të parandaluar ndonjë dëmtim vetjak.

Vendosja

- Para përdorimit, hiqni të gjitha materialet e paketimit, duke përfshirë jastekët e poshtme, dhe shiritat brenda frigoriferit; heq plastikat mbrojtëse në dyert dhe trupin e frigoriferit.
- larg nxehtësisë dhe shmangni rrezet e diellit direkte. Mos e vendosni frigoriferin në vende me lagështi ose me ujë për të parandaluar ndryshkjen ose zvogëlimin e efektit izolues.
- Mos e spërkatni ose mos e lani frigoriferin; mos e vendosni frigoriferin në vende me lagështi të lehtë për tu spërkatur me ujë në mënyrë që të mos ndikojë në vetitë e izolimit elektrik të frigoriferit.
- Frigoriferi vendoset në një vend të venteluar mirë; toka duhet të jetë e sheshtë dhe e fortë (rrotullohuni majtas ose djathtas për të rregulluar timonin për rrafshimin nëse është i paqëndrueshëm).

Ndryshimi i kahut të derës djathtas-majtas (opsional)

Në varësi të vendndodhjes ku planifikoni ta përdorni frigoriferin tuaj, mund t'a keni më të përshtatshme t'a ndryshoni pozicionin e derës.

KUJDES

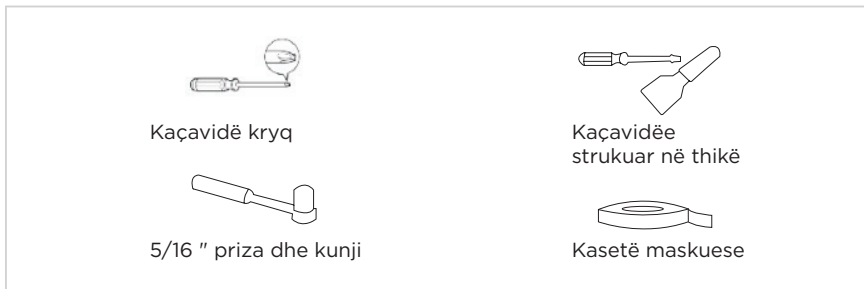
KUJDES: Për të shmangur dëmtimin e vetes ose të pronës suaj, ne rekomandojmë që dikush t'ju ndihmojë gjatë procesit të ndryshimit të pozicionit të kahut të derës.

Përgatitja për të ndryshuar pozicionin e kahut të derës

Do t'ju duhet: Një kaçavidë standarde, një kaçavidë Phillips dhe çelësi Allen i përfshirë në paketim.

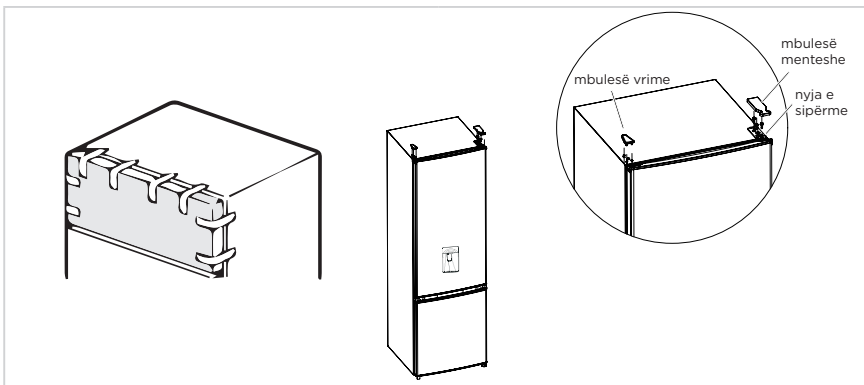
- Sigurohuni që frigoriferi juaj të jetë i hequr nga priza dhe të jetë bosh.
- Mbani dikë në dispozicion për t'ju ndihmuar në këtë proces.
- Ruajini të gjitha pjesët që hiqni për t'i ripërdorur më vonë.

Mjetet e nevojshme për ndryshimin e kahut të derës:

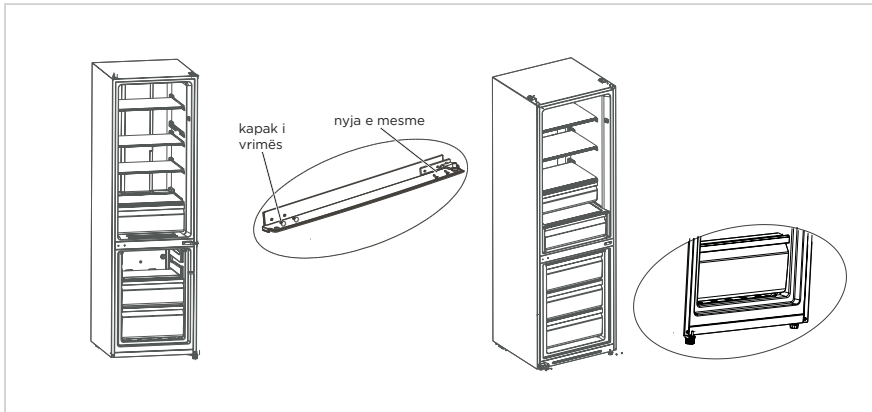


Hapi

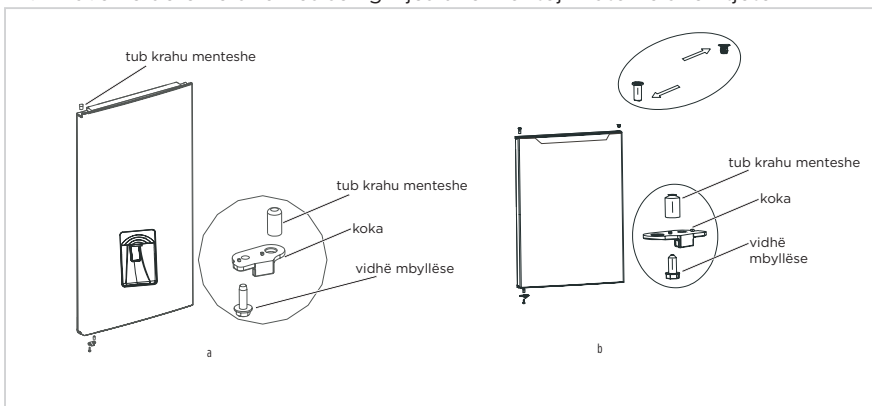
1. Ju lutemi fikni këtë pajisje para se të bëni këtë operacion.
Hiqni të gjithë ushqimin nga shtresa e brendshme e derës. Mbyllni derën me shirit ngjites.
2. Çmontojeni mbulesën e vrimës, mbulesën e menteshës dhe menteshën e sipërme.



3. Hiqeni derën e dhomës frigoriferike, menteshën e mesme (përdorni një çelës allen, dmth heksagonal, për të hequr vidën e menteshës së mesme) dhe kapakun e vrimës së anës tjetër.
4. Hiqeni derën e dhomës së ngrirjes, çmontojeni menteshën e poshtme, kapakët e vrimave, këmbën e nivelimit, instalojeni menteshën e poshtme në anën tjetër.



5. a) Çmontojeni tapën, tubin e mbështjellëses së derës së dhomës së frigoriferit. Montojeni me vidë tubin e mbështjellëses dhe tapën në pjesën e poshtme majtas të derës.
- b) Çmontojeni tapën dhe tubin e mbështjellëses nga e djathta e derës së dhomës së ngrirjes, montojeni me vidë tubin e mbështjellëses dhe tapën në pjesën e poshtme majtas të derës. Hiqeni tubin e krahut të menteshës dhe kapakët e vrimave në derën e dhomës së ngrirjes dhe montojini ato në anën tjetër.

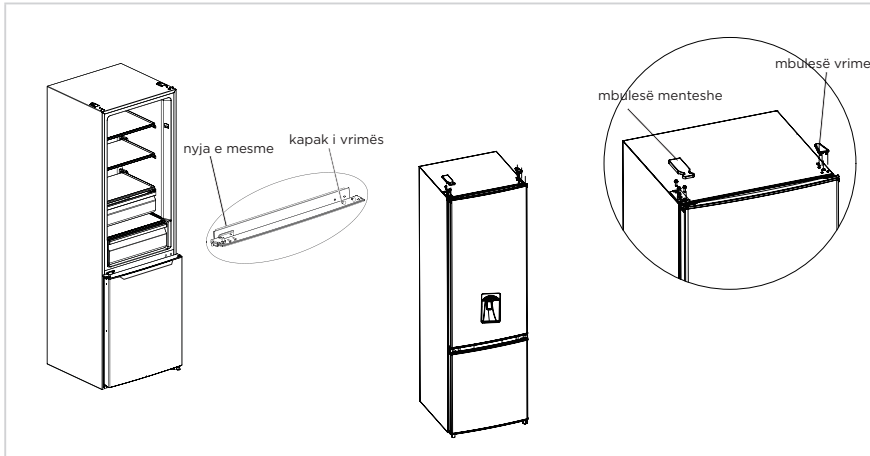


6. Vendoseni derën e dhomës së ngrirjes në menteshën e poshtme dhe vendoseni menteshën e mesme, kapakët e vrimave.
7. Vendoseni derën e dhomës së ftohjes në menteshën e mesme dhe instalojeni menteshën e sipërme, kapakun e menteshës.

AL

8. Vendoseni derën e dhomës së ftohjes në menteshën e mesme dhe instalojeni menteshën e sipërme, kapakun e menteshës.

Përpara se të instaloni kapakun e menteshës së sipërme duhet të konfirmoni sa vijon. Vidhat që mbajnë menteshën duhet të shtypen fort në sipërfaqen e menteshës për të siguruar që vidhosja të mos shtrembërohet. Pasi të instalohet mentesha, sigurohuni që të mos ketë lëkundje.

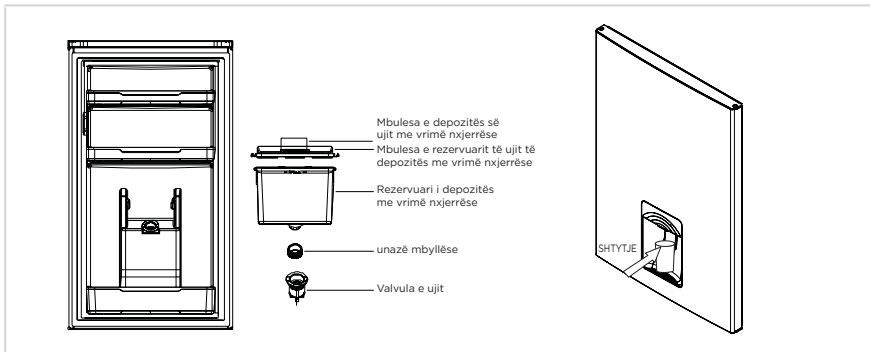


VINI RE

Fotografia e mësipërme është vetëm për referencë. Konfigurimi i vërtetë do të varet nga produkti fizik ose deklarata nga distributori.

Përdorimi depozitës së ujit me vrimë nxjerrëse (opsional)

1. Hapeni fillimisht kapakun e hyrjes së ujit, mbusheni me ujë të pijshëm deri në nivelin "MAX" të shënuar si sasia maksimale e ujit.
2. Përdoreni gotën për të shtyrë këmbëzën brenda, uji do të rrjedhë jashtë, kur këmbëza të kthehet në pozicionin fillestar, uji ndalon së rrjedhuri.
3. Depozita e ujit me vrimë nxjerrëse mund të përdoret vetëm për ujë të pastër, nuk është i përshtatshëm për pije ose lëngje frutash.



Ndërrimi i dritës

- Çdo zëvendësim ose proces mirëmbajtjeje e llambave LED është llogaritur të bëhet nga prodhuesi, agjenti i tij i shërbimit ose ndonjë person i ngjashëm i kualifikuar. Ky produkt përmban një burim drite të klasës të efikasitetit të energjisë <F>.

Hapi

- Ju lutemi hiqeni spinën përpara se ta ndërroni dritën.
- Hiqeni kapakun e dritës me anë të një kaçavide.



- Çmontojeni panelin e llambës.
- Largojeni terminalin e lidhjes.



Lidhja e pajisjes

Para kyqjes së parë, mbajeni frigoriferin për dy orë para se ta lidhni atë me furnizimin me energji elektrike.

● VINI RE

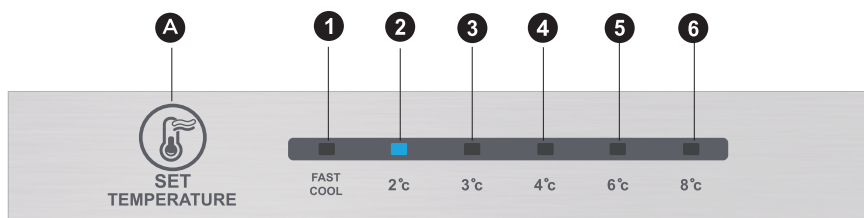
Para se të vendosni ushqime të freskëta ose të ngrira, frigoriferi duhet të punojë 2-3 orë, ose mbi 4 orë gjatë verës, kur temperatura e ambientit është e lartë.

Këshilla për kursimin e energjisë

- Pajisja duhet të jetë e vendosur në zonën më të ftohtë të dhomës, larg pajisjeve që prodhojnë nxehtësi ose kanalet e ngrohjes dhe jashtë rrezeve direkte të diellit.
- Lërimi ushqimet e nxehta të ftohen në temperaturën e dhomës përpara se t'i vendosni në pajisje. Mbingarkesa e pajisjes detyron kompresorin të punojë më gjatë. Ushqimet që ngrijnë shumë ngadalë mund të humbasin cilësinë, ose të prishen.
- Sigurohuni që të mbështillni ushqimet siç duhet, dhe pastroni enët para se t'i vendosni në pajisje. Kjo ulin formimin e ngricave brenda pajisjes.
- Koshi ruajtjes i pajisjes nuk duhet të jetë i veshur me foli alumini, letër dylli ose peshqir letre. Linerët ndërhyjnë në qarkullimin e ajrit të ftohtë, duke e bërë pajisjen më pak efikase.
- Organizoni dhe etiketoni ushqimin për të zvogëluar hapjet e derës dhe kërkimet e zgjatura. Nxirrni sa më shumë artikuj të nevojshëm për atë kohë, dhe mbyllni derën sa më shpejt të jetë e mundur.

UDHËZIME PUNIMI

Paneli i kontrollit



VINI RE

Fotografia e mësipërme është vetëm për referencë. Konfigurimi i vërtetë do të varet nga produkti fizik ose deklarata nga distributori.

Celës

A Butoni i Alarm/power off/power on (Alarmit/fikjes/ndezjes)

Shfaqja e ekranit

- | | |
|---|---------------------------|
| 1 | Vendosja e temperaturës 1 |
| 2 | Vendosja e temperaturës 2 |
| 3 | Vendosja e temperaturës 3 |
| 4 | Vendosja e temperaturës 4 |
| 5 | Vendosja e temperaturës 5 |
| 6 | Vendosja e temperaturës 6 |

Ekran

Kur ndizni frigoriferin, paneli i ekranit (duke përfshirë dritën kryesore) do të ndriçojë plotësisht për 3 sekonda, më pas frigoriferi punon sipas cilësimit të temperaturës 4.

Pamja e rrjedhjes normale

Në rast të një dështimi, drita përkatëse LED do të shfaqë një pamje të kombinuar të kodit të dështimit (në ekranin e riciklimit);

Aty ku nuk ka dështim, drita LED do të shfaqë cilësimin ekzistues të temperaturës.

VINI RE

Paneli aktual i kontrollit mund të ndryshojë nga modeli në model.

Udhëzimet e përdorimit

Vendosja e ingranazheve

- Cilësimi i temperaturës do të ndryshojë një herë në çdo rast kur shtypni tastin SET (VENDOS). Më pas, frigoriferi do të punojë sipas vlerës së cilësimit të ri pas 15 sekondash.

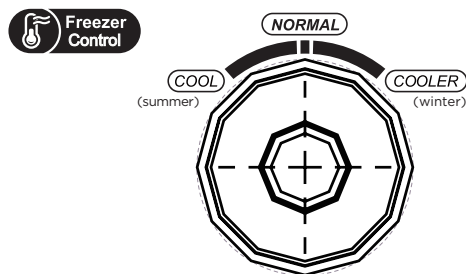
Cilësimi 1 → Cilësimi 2 → Cilësimi 3 → Cilësimi 4 → Cilësimi 5 → Cilësimi 6 → Cilësimi 1 →

Modaliteti i Fast cool (Ftohjes së shpejtë):

- Fut: Modulimi qarkullues i modalitetit të rapid cooling (ftohjes së shpejtë).
- Vëreni në punë: Treguesi i ftohjes së shpejtë ndizet dhe frigoriferi punon në 2°C.
- Modaliteti i Fast cool (Ftohjes së shpejtë) çaktivizohet automatikisht për 24 orë.
- Funksioni i Fast cool (Ftohjes së shpejtë) mund të përdoret si funksion Super freezing (Super ngrirjeje).

Kontrolli i temperaturës së dhomës së ngrirjes

- Temperatura e ngrirjes është relativisht e ulët në pozicionin “COOLER (MË FTOHTË)”, ndërsa temperatura e ngrirjes është relativisht e lartë në pozicionin “COOL (FTOHTË)”, kështu që përgjithësisht përdoret pozicioni “NORMAL (NORMALE)”.
- Kur temperatura e mjedisit është e lartë në verë, temperatura duhet të jetë në diapazonin ndërmjet “NORMAL (NORMALE)” dhe “COOL (FTOHTË)”. Nëse temperatura e ambientit është mbi 35°C, atëherë do të mbizotërojë pozicioni “COOL (FTOHTË)”.
- Kur temperatura e mjedisit është e ulët në dimër, temperatura duhet të jetë në diapazonin nga “NORMAL (NORMALE)” në “COOLER (MË FTOHTË)”. Nëse temperatura e ambientit është nën 10°C, atëherë do të mbizotërojë pozicioni “COOLER (MË FTOHTË)”.



Kodi e gabimit

- Paralajmërimet e mëposhtme që shfaqen në ekran tregojnë gabimet përkatëse të frigoriferit.
- Nëse frigoriferi mund t'i ketë ende funksionin e ftohjes dhe ngrirjes me defektet e mëposhtme, përdoruesi duhet të kontaktojë një specialist të mirëmbajtjes për shërbimin e mirëmbajtjes, në mënyrë që të sigurohet një përdorim normal i frigoriferit.

Kodi i Gabimit	Përshkrimi i Gabimit
LED 1 dhe LED 2 janë të ndezura	Qarku i sensorit të temperaturës së frigoriferit
LED 1 dhe LED 3 janë të ndezura	Sensori i shkrirjes së ngrirësit
LED 4 dhe LED 4 janë të ndezura	Sensori i temperaturës së ambientit

Dhoma frigoriferike

- Dhoma e Ftohjes është e përshtatshme për ruajtjen e një larmi frutash, perimesh, pijeve dhe ushqimeve të tjera të konsumuara në një afat të shkurtër koha e sugjeruar e ruajtjes nga 3 ditë deri në 5 ditë.
- Ushqimet e gatimit nuk duhet të futen në dhomën e frigoriferit derisa të ftohen në temperaturën e dhomës.
- Ushqimet rekomandohen të mbyllen para se të futen në frigorifer.
- Raftet e xhamit mund të rregullohen lart ose poshtë për një sasi të arsyeshme të hapësirës së ruajtjes dhe përdorimit të lehtë.

Dhoma e ngrirjes

- Dhoma e ngrirjes me temperaturë të ulët mund ta mbajë ushqimin të freskët për një kohë të gjatë dhe përdoret kryesisht për të ruajtur ushqime të ngrira dhe për të bërë akull.
- Dhoma e ngrirjes është e përshtatshme për ruajtjen e mishit, peshkut, topave të orizit dhe ushqimeve tjera që nuk konsumohen në një afat të shkurtër.
- Preferohet që copat e mishit të ndahen në thela të vogla për ngrirje të shpejtë dhe akses të lehtë. Ju lutemi vini re që ushqimi të konsumohet brenda kohës së raftit.

Rendi	TIPI i Ndarjes	Temperatura e synuar e ruajtjes [°C]	Ushqimi i përshtatshëm
1	Ngrirësi	+2 - +8	Vezët, ushqimet e gatuar, ushqimet e paketuara, frutat dhe perimet, produktet e qumështit, ëmbëlsirat, pijet dhe ushqimet e tjera nuk janë të përshtatshme për ngrirje.
2	(***)*-Ngrirës	≤-18	Ushqimet e detit (peshk, karkaleca, butakë), produktet ujore të ujërave të ëmbla dhe produktet e mishit (rekomandohen të ruhen për 3 muaj, sa më e gjatë të jetë koha e ruajtjes, aq më e dobët është shija dhe vlerat ushqimimore), i përshtatshëm për ushqime të freskëta të ngrira.
3	***-Ngrirës	≤-18	Ushqimet e detit (peshk, karkaleca, butakë), produktet ujore të ujërave të ëmbla dhe produktet e mishit (rekomandohen të ruhen për 3 muaj, sa më e gjatë të jetë koha e ruajtjes, aq më e dobët është shija dhe vlerat ushqimimore), i përshtatshëm për ushqime të freskëta të ngrira.
4	** -Ngrirës	≤-12	Ushqimet e detit (peshk, karkaleca, butakë), produktet ujore të ujërave të ëmbla dhe produktet e mishit (rekomandohen të ruhen për 3 muaj, sa më e gjatë të jetë koha e ruajtjes, aq më e dobët është shija dhe vlerat ushqimimore), i përshtatshëm për ushqime të freskëta të ngrira.
5	*-Ngrirës	≤-6	Ushqimet e detit (peshk, karkaleca, butakë), produktet ujore të ujërave të ëmbla dhe produktet e mishit (rekomandohen të ruhen për 3 muaj, sa më e gjatë të jetë koha e ruajtjes, aq më e dobët është shija dhe vlerat ushqimimore), i përshtatshëm për ushqime të freskëta të ngrira.
6	Ylli - O	-6 - 0	Mishi i dërrit i freskët, viçi, peshku, pula, disa ushqime të përpunuara të paketuara etj. (Rekomandohet të konsumohen brenda së njëjtës ditë, mundësisht jo më shumë se pas 3 ditësh). Ushqime pjesërisht të përpunuara të kapsuluara (ushqime që nuk ngrihen).
7	Ngrica	-2 - +3	Mishi i dërrit i freskët/ i ngrirë, viçi, pula, produkte ujore të ujërave të ëmbla, etj. (7 ditë nën 0°C dhe nëse janë mbi 0°C rekomandohet të konsumohen brenda të njëjtës ditë, mundësisht jo më shumë se pas 2 ditësh). Ushqimi i detit (në më pak se 0 për 15 ditë, nuk rekomandohet të ruhet mbi 0°C.
8	Ushqimi i freskët	0 - +4	Mish dërrit i freskët, viçi, peshku, pule, ushqim i gatuar, etj. (Rekomandohet të konsumohet brenda të njëjtës ditë, mundësisht jo më shumë se pas 3 ditësh)
9	Vera	+5 - +20	Verë e kuqe, verë e bardhë, verë e gazuar etj.

VINI RE

ju lutemi ruajini ushqimet e ndryshme sipas ndarjeve ose temperaturës së synuar të ruajtjes të materialit të blerë.

PASTRIMI DHE MIRËMBAJTJA

Pastrimi i përgjithshëm

- Pluhurat prapa frigoriferit dhe në tokë pastrohen me kohë për të përmirësuar efektin e ftohjes dhe kursimin e energjisë.
- Kontrolloni rregullisht rondelën e derës për t'u siguruar që nuk ka mbeturina. Pastroni rondelën e derës me një leckë të butë të lagur me ujë me sapun ose detergjent të holluar.
- Brendësia e frigoriferit duhet të pastrohet rregullisht për të shmangur erën.
- Ju lutemi fikni energjinë para pastrimit të brendshëm, hiqni të gjitha ushqimet, pijet, raftet, sirtarët, etj.
- Përdorni një leckë të butë ose sfungjer për të pastruar pjesën e brendshme të frigoriferit, me dy lugë sode buke dhe rreth një litër ujë të ngrohtë. Pastaj shpërlaje me ujë dhe pecetë të pastër. Pas pastrimit, hapni derën dhe lëreni të thahet natyrshëm përpara se të ndizni energjinë elektrike.
- Për zonat që janë të vështira për tu pastruar në frigorifer (siç janë sanduicet e ngushta, boshllëqet ose qoshtet), rekomandohet që ato të fshihen rregullisht me një leckë të butë, furça të butë, etj. Dhe kur është e nevojshme, të kombinuara me disa mjete ndihmëse (si p.sh. shkopinj të hollë) për t'u siguruar nga ndotja ose akumulim të bakterieve në këto zona.
- Mos përdorni sapun, detergjent, pluhur pastrimi, sprej, etj, pasi këto mund të shkaktojnë erë në brendësi të frigoriferit ose ushqim të kontaminuar.
- Pastroni kornizën e shisheve, raftet me një leckë të butë të lagur me ujë me sapun ose detergjent të holluar. Thajeni me një leckë të butë ose thajeni natyrshëm.
- Fshijeni sipërfaqen e jashtme të frigoriferit me një leckë të butë të lagur me ujë me sapun, detergjent, etj., dhe më pas thajeni.
- Mos përdorni furça të forta, topa çeliku të pastër, furça teli, gërryes (si pastat e dhëmbëve), tretës organikë (siç janë alkooli, acetoni, vaji i bananës, etj.), uji i vluar, sende acidi ose alkaline, të cilat mund të dëmtojnë sipërfaqen e frigoriferit dhe brendësinë. Uji i vluar dhe tretësit organikë si benzina mund të deformojnë ose dëmtojnë pjesët plastike.
- Mos e shpëlani direkt me ujë ose lëngje të tjera gjatë pastrimit për të shmangur qarqet e shkurtra ose të ndikoni në izolimin elektrik pas zhytjes.

VINI RE

Ju lutemi shkëputni frigoriferin për shkrirje dhe pastrim.

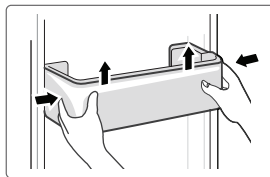
AL

Shkrirja

- Frigoriferi është bërë bazuar në parimin e ftohjes së ajrit dhe kështu ka funksion automatik të shkrirjes. Ngricat e formuara për shkak të ndryshimit të stinës ose temperaturës mund të hiqen manualisht me shkëputjen e pajisjes nga furnizimi me energji elektrike ose duke fshirë me një peshqir të thatë.

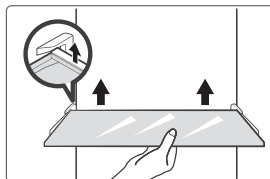
Pastrimi i koshit të derës

- Bazuar në drejtimin e shigjetës së paraqitur në figurën më poshtë, përdorini të dyja duart për ta shtypur anash sirtarin dhe shtyjeni lart, pastaj mund ta nxirrni jashtë.
- Pasi ta keni larë sirtarin, mund ta rregulloni lartësinë e vendosjes së tij sipas nevojës tuaj.



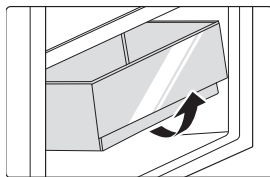
Pastrimi i sirtarit prej xhami

- Meqenëse pjesa më e brendshme e kanaleve të frigoriferit ku janë të vendosura raftet përmban një hapësirë nga mbrapa, ju duhet t'i ngrini raftet lart, e pastaj mund t'i nxirrni jashtë.
- Rregullojini ose pastrojini raftet sipas nevojës suaj.



Pastrimi i sirtarit të perimeve

1. Nxirreni përmbajtjen nga sirtari. Kapeni dorezën e sirtarit të perimeve dhe tërhiqeni plotësisht derisa të ndalojë.
2. Ngrijeni sirtarin e perimeve dhe hiqeni duke e nxjerrë jashtë.



Jashtë funksioni

Dështimi i energjisë:

Në rast të ndërprerjes së energjisë, edhe nëse është gjatë verës, ushqimet brenda pajisjes mund të mbahen për disa orë; gjatë ndërprerjes së energjisë, koha e hapjes së dyerve duhet të zvogëlohet dhe nuk duhet të futen më ushqime të freskëta në pajisje.

Mos përdorim për kohë të gjatë:

Pajisja duhet të shkëputet dhe të pastrohet; atëherë dyert lihen të hapura për të parandaluar erën.

Lëvizja:

Para se frigoriferi të zhvendoset, hiqni të gjitha objektet brenda, rregulloni ndarjet e qelqit, mbajtësin e perimeve, sirtarët e dhomës së ngrirjes etj., dhe shtrëngoni këmbët e rrafshimit; mbyllni dyert dhe rregulloni ato me shirit. Gjatë lëvizjes, pajisja nuk duhet të vendoset kokë poshtë ose horizontalisht, ose të lëkundet; pjerrtësia gjatë lëvizjes nuk duhet të jetë më shumë se 45 °.

● VINI RE

Pajisja do të funksionojë vazhdimisht pasi të fillojë. Në përgjithësi, punimi i pajisjes nuk duhet të ndërpritet; përndryshe jetëgjatësia e periudhës së shërbimit mund të ndikohet.

ZGJIDHJA E PROBLEMEVE

Problemet e thjeshta të mëposhtme mund të trajtohen nga vetë përdoruesi. Ju lutemi telefononi departamentin e shërbimit të klientit pas shitjes nëse problemet nuk zgjidhen.

Problemi	Arsyeja e mundshme
Dështimi i funksionimit	<ul style="list-style-type: none"> Kontrolloni nëse pajisja është e lidhur me energjinë elektrike ose nëse spina ka kontakt të mirë
	<ul style="list-style-type: none"> Kontrolloni nëse tensioni është shumë i ulët
	<ul style="list-style-type: none"> Kontrolloni nëse ka ndonjë ndërprerje të energjisë ose nëse qarqet e pjesshme janë të stakuara
Era	<ul style="list-style-type: none"> Ushqimet me erë duhet të mbështillen fort
	<ul style="list-style-type: none"> Kontrolloni nëse ka ndonjë ushqim të prishur brenda
	<ul style="list-style-type: none"> Pastrojeni pjesën e brendshme të frigoriferit
Funksionimi i gjatë i kompresorit	<ul style="list-style-type: none"> Punimi i gjatë i frigoriferit në verë është diçka normale
	<ul style="list-style-type: none"> kur temperatura e mjedisit është e lartë Nuk është e rekomandueshme të mbani shumë ushqim në pajisje në të njëjtën kohë
	<ul style="list-style-type: none"> Ushqimi duhet të ftohet përpara se të futet në pajisje
	<ul style="list-style-type: none"> Dyert hapen shumë shpesh
Drita nuk arrin të ndizet	<ul style="list-style-type: none"> Kontrolloni nëse frigoriferi është i lidhur me burimin e energjisë elektrike dhe nëse drita ndriçuese është e dëmtuar
	<ul style="list-style-type: none"> Zëvendësojeni dritën nga një specialist
Dera nuk arrin të mbyllet siç duhet	<ul style="list-style-type: none"> Dera është e bllokuar nga pakot e ushqimit Në frigorifer janë futur një sasi e tepërt ushqimesh
	<ul style="list-style-type: none"> Frigoriferi është i anuar.
Zhurmë e lartë	<ul style="list-style-type: none"> Kontrolloni nëse dyshemeja është e niveluar dhe nëse frigoriferi është i vendosur në tokë në mënyrë të qëndrueshme
	<ul style="list-style-type: none"> Kontrolloni nëse aksesoret janë vendosur në vendet e duhura

Problemi	Arsyeja e mundshme
Ngjitësi i dyerve nuk është i ngushtë	<ul style="list-style-type: none"> • Hiqini lëndët e huaja në guarnicionin e derës • Ngrohni guarnicionin e derës dhe më pas ftohni atë për restaurim (fryjini me tharëse elektrike ose përdorni një peshqir të nxehtë për ngrohje)
Uji i tejbushjes së tiganit	<ul style="list-style-type: none"> • Ka shumë ushqim në dhomën përkatëse ose ushqimi i ruajtur përmban shumë ujë, gjë që shkakton në shkrirje intensive • Dyert nuk mbyllen siç duhet, duke shkaktuar ngricë për shkak të depërtimit së ajrit dhe rritje të sasisë së ujit për shkak të shkrirjes
Strehim i nxehtë	<ul style="list-style-type: none"> • Shpërhapja e nxehtësisë së kondensatorit të integruar nëpërmjet kapakut, gjë që është normale. Kur banesa nxehet për shkak të temperaturës së lartë të mjedisit, ruajtjes së shumë ushqimeve ose bllokimit të kompresorit, siguroni një ventilim të përshtatshëm për të lehtësuar shpërhapjen e nxehtësisë
Kondensimi sipërfaqësor	<ul style="list-style-type: none"> • Kondensimi në sipërfaqen e jashtme dhe në guarnicionet e dyerve të frigoriferit është diçka normale kur lagështia e ambientit është shumë e lartë. Thjesht pastroni kondensatën me një peshqir të pastër.
Zhurma jonormale	<ul style="list-style-type: none"> • Tringëllimë: Kompresori mund të prodhojë gumëzhitje gjatë funksionimit, dhe gumëzhitë janë me zë të lartë veçanërisht kur fillon ose ndalet. Kjo është normale. • Kërcitje: Ftohësi që rrjedh brenda pajisjes mund të prodhojë rrjedhje, gjë që është normale.

SHTOJCË

I veçantë sipas standardit të ri evropian

Pjesët e porositura në tabelën e mëposhtme mund të sigurohen përmes linjës së ofruesit të shërbimit

Pjesë e porositur	Siguruar nga	Koha minimale e kërkuar për Provizion
Termostatet	Personeli i mirëmbajtjes profesionale	Të paktën 7 vjet pasi modeli i fundit është lëshuar në treg
Sensorë të temperaturës	Personeli i mirëmbajtjes profesionale	Të paktën 7 vjet pasi modeli i fundit është lëshuar në treg
Tabela të shtypura të qarkut	Personeli i mirëmbajtjes profesionale	Të paktën 7 vjet pasi modeli i fundit është lëshuar në treg
Burime drite	Personeli i mirëmbajtjes profesionale	Të paktën 7 vjet pasi modeli i fundit është lëshuar në treg
Dorezat e dryeve	Riparuesit profesionistë dhe përdoruesit përfundimtarë	Të paktën 7 vjet pasi modeli i fundit është lëshuar në treg
Nyjet e dryeve	Riparuesit profesionistë dhe përdoruesit përfundimtarë	Të paktën 7 vjet pasi modeli i fundit është lëshuar në treg
Tabaka	Riparuesit profesionistë dhe përdoruesit përfundimtarë	Të paktën 7 vjet pasi modeli i fundit është lëshuar në treg
Shportat	Riparuesit profesionistë dhe përdoruesit përfundimtarë	Të paktën 7 vjet pasi modeli i fundit është lëshuar në treg
Rondelat e dryeve	Riparuesit profesionistë dhe përdoruesit përfundimtarë	Të paktën 10 vjet pasi modeli i fundit është lëshuar në treg

I dashur klient

1. Nëse dëshironi ta ktheni mbrapsht ose ta zëvendësoni produktin, ju lutemi kontaktoni dyqanin ku keni bërë blerjen.

(Mos harroni të sillni me vete faturën e blerjes)

2. Nëse produkti juaj prishet dhe ka nevojë për riparim, ju lutemi kontaktoni ofruesin e shërbimit pas shitjes.

VINI RE

Informacioni rreth modelit në bazën e të dhënave të produktit, si dhe identifikuesi i modelit, mund të sigurohen përmes një lidhjeje në internet duke skanuar një kod QR, nëse ka, në etiketën e efikasitetit të energjisë të produktit.

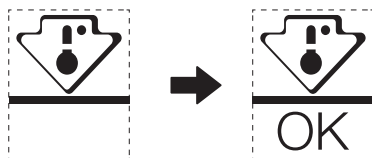
Për më shumë informacion rreth efikasitetit të energjetike të pajisjes, vizitoni faqen <https://ec.europa.eu> dhe bëjeni kërkimin duke përdorur emrin e modelit.

Emri i modelit mund të gjendet në etiketën e klasës së pajisjes.

Zona më e ftohtë në frigorifer

OPSIONAL: Indikator i temperaturës-OK

- Treguesi i temperaturës OK mund të përdoret për të përcaktuar temperaturat nën +4°C. Ulni gradualisht temperaturën nëse shenja përkatëse nuk tregon "OK".



- Për t'u siguruar që temperatura të jetë në këtë zonë, mos e ndryshoni pozicionin e raftit. Frigoriferë me ngrirje me ajër (të pajisur me ventilator ose modele No Frost (Pa ngricë)), simboli i zonës më të ftohtë nuk ekziston sepse temperatura në brendësi është kudo homogjene.

Vendosja e treguesit të temperaturës

- Për t'ju ndihmuar ta bëni frigoriferin tuaj të punojë siç duhet, ai është i pajisur me një indikator temperature i cili do të monitorojë temperaturën mesatare në zonën më të ftohtë.
- **PARALAJMËRIM:** Ky indikator është llogaritur të funksionojë vetëm me frigoriferin tuaj, mos e përdorni atë në një frigorifer tjetër (në fakt, zona më e ftohtë nuk është e njëjtë), ose për ndonjë përdorim tjetër.

Kontrolli i temperaturës në zonën më të ftohtë

- Nëpërmjet indikatorit të temperaturës, mund të kontrolloni rregullisht nëse temperatura e zonës më të ftohtë është e saktë. Në të vërtetë, temperatura e brendshme e frigoriferit varet nga disa faktorë si temperatura e mjedisit të dhomës, sasia e ushqimit të ruajtur dhe shpeshësia e hapjes së derës. Merrini parasysh këta faktorë kur konfiguroni pajisjen.
- Kur indikatorin tregon « OK », kjo do të thotë që termostati juaj është i graduar mirë dhe temperatura e brendshme është e saktë.
- Nëse treguesi i temperaturës bëhet I BARDHË, kjo do të thotë se temperatura është shumë e lartë; në këtë rast, ngrejeni cilësimin e kontrollit të temperaturës së frigoriferit dhe prisni 12 orë përpara se të kryeni një kontroll të ri vizual të indikatorit. Kur në frigorifer futet ushqim i freskët ose dera është lënë e hapur, është e mundur që treguesi i temperaturës të bëhet i BARDHË pas njëfarë kohe.



make yourself at home



www.midea.com

© Midea 2022 all rights reserved